

SLIDING DOOR HARDWARE

QIANGHUI METAL



SLIDING DOOR HARDWARE



中山锵辉金属制品有限公司

ZhongShan Qianghui Metal Products Co.,Ltd

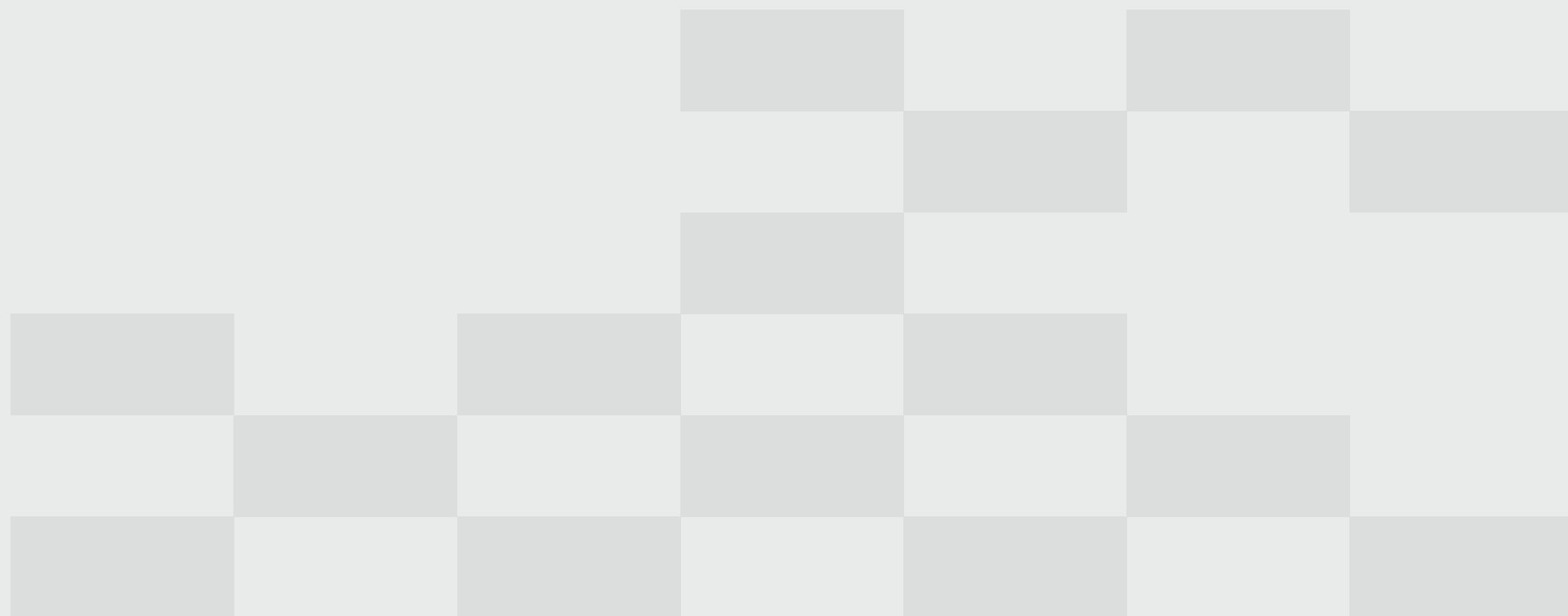
地址：广东省中山市阜沙镇阜港东路（祥华路7号）

电话：0760-23622850 传真：0760-23453315

网址：www.qhmetal.cn 邮箱：qh@qhmetal.cn



2023版



企业文化

COMPANY CULTURE

创造用户满意产品, 推动行业发展

Creating customer satisfaction products,
Promoting the development of the industry.

公司使命

Company Mission

公司愿景

Company Vision

成为行业的领导者

Become the industry leader.

核心价值观

Core Value

诚信 感恩 自强 进取

Honesty Gratitude Self improvement Enterprising.

目录

CONTENT

移门系列 Magnetic levitation sliding roller system

磁悬浮滑轮系列	Magnetic levitation sliding roller system	P 005-011
联动门滑轮系列	Synchronized sliding roller system	P 012-029
幽灵门系列	Invisible sliding door roller system	P 031-040
缓冲滑轮系列	Soft-close sliding roller system	P 043-051
谷仓门滑轮系列	sliding barn door roller system	P 053-062
普通滑轮系列	Ordinary sliding door system	P 063-084
型材配件系列	Profile accessories series	P 085-088

平开门系列 Slim Profile Sliding Door System

极窄平开门配置系列	Slim Profile Swing Door System	P 089-092
极窄五金配件系列	Slim door hardware accessories series	P 093-096
平开门五金系列	Swing Door Accessories	P 097-108

公司介绍

中山铸辉金属制品有限公司成立于2002年,位于中山市阜沙镇,前身为中山市铸辉五金制品厂,后更名为中山铸辉金属制品有限公司;是以研发及生产门控五金制品的专业公司,系广东省高新技术企业。

公司产品陆续通过ISO9001、BSCI、中国建筑五金质量检测中心认证,INTERTEK、SGS等权威实验室测试,设有模具开发、CNC数控加工、抛光、安装、检测中心等项目车间,并建立和完善了供应链系统。产品畅销全球,为全球家装或建筑五金领域的世界品牌提供OEM、ODM、EASY INSTALLATION配套服务。产品质量管理严格在国家标准JGT129-2017(建筑门窗五金件滑轮)、欧洲共同体对建筑五金执行标准条例EN-1527条例标准要求中运行。

公司成立以来,恪守诚信、感恩、自强、进取的发展理念,以成为行业先导之愿景,推动行业发展之使命,立足长远,凝心聚力,创新发展,稳步向前。

Company Profile

Zhongshan Qianghui Metal Products Co., Ltd. was established in 2002, located in Fusha Town, Zhongshan City, formerly known as Zhongshan Qianghui Hardware Products Factory, later renamed as Zhongshan Qianghui Metal Products Co., Ltd..

Our products has passed ISO9001, BSCI, China Building Hardware Quality Inspection Center certification, INTERTEK, SGS and other authoritative laboratory tests, and we have workshops for mold development, CNC machining, polishing, injection molding, spraying, installation testing center and other projects, and have established and perfected the supply chain system. Our products sell well all over the world, and we provide OEM, ODM, EASY INSTALLATION supporting services for the world brands in the field of global home decoration or hardware. Product quality management strictly in the national standard JGT129-2017 (Architectural door and window hardware roller), the European Community building hardware executive standard regulation EN-1527 regulation standard requirements to run.

Since its establishment, the company has abided by the development philosophy of honesty, gratitude, self-improvement and enterprise, and has been steadily moving forward with the vision of becoming the pioneer of the industry and the mission of promoting the industry hardware, based on long-term, concentrated efforts, innovation and development.

铸辉金属



因为所以
所以专业
因为专注

专业检测报告
核心技术认证



DEVELOPMENT HISTORY

2002

锵辉公司成立

专注移门滑轮五金
QH Founded in 2002
Specialize in roller hardware



2011

工厂扩大规模

占地17000平方,增加更多定制化产品系列
Expand operations in 2011,17000Square,
add more customized products



2013

完善产品系列

联动移门滑轮,缓冲滑轮上市
Improve products series Synchronized and soft-close
roller on the market



2017

磁悬浮移门系统上市

自动门新时代
Magnetic sliding door system on the market
New era in door automation



2021

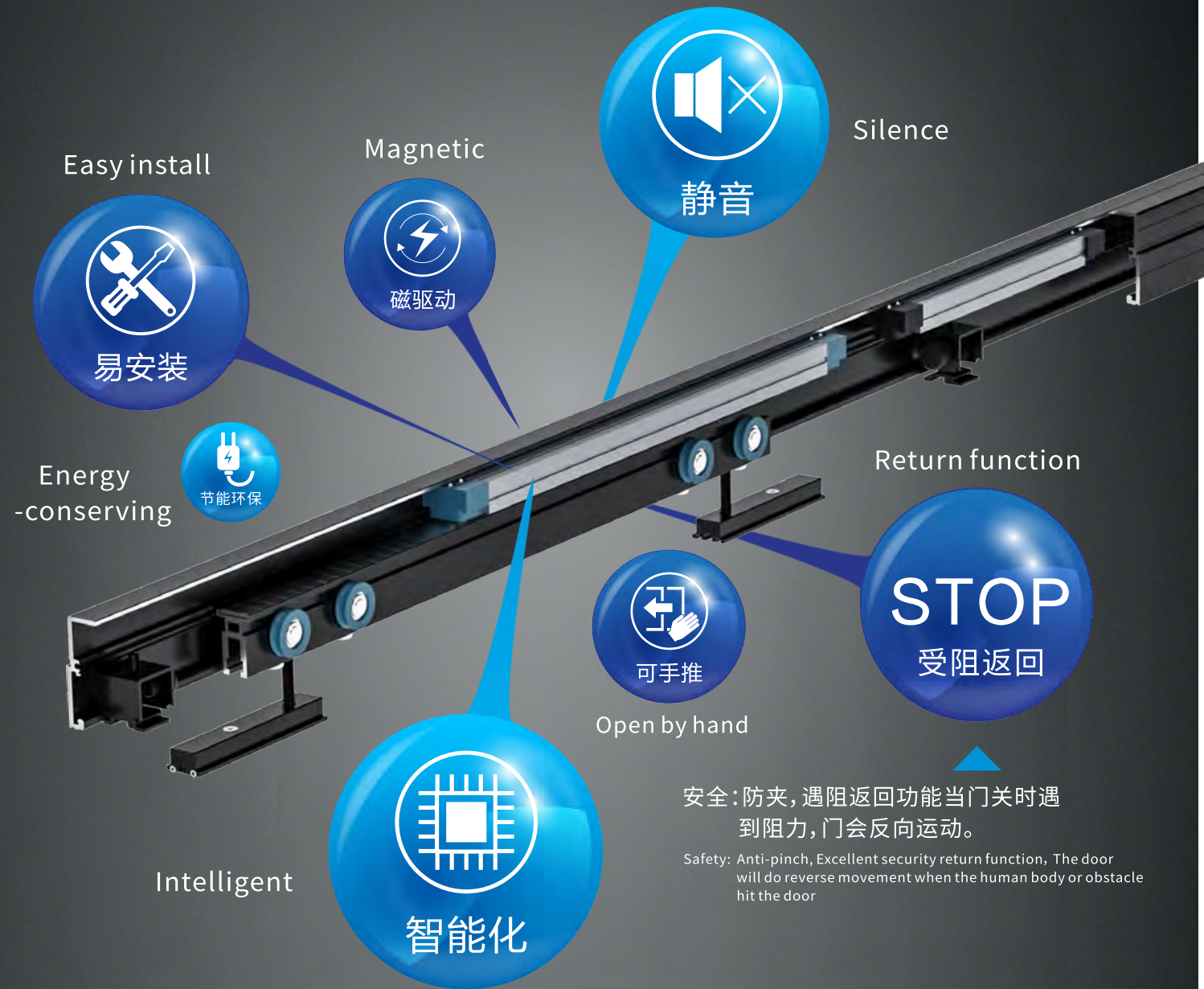
工程配套

极窄边框门配置方式
Slim swing door configuration



电磁驱动智能滑轮系统

Electromagnetic Driver Sliding Roller System



安全：防夹，遇阻返回功能当门关时遇到阻力，门会反向运动。

Safety: Anti-pinch, Excellent security return function, The door will do reverse movement when the human body or obstacle hit the door



防夹手
Anti-pinch



开关静音
Silent Moving



安全, 节能
Safety, Energy conservation

电磁驱动智能滑轮系统

Electromagnetic Driver Sliding roller system

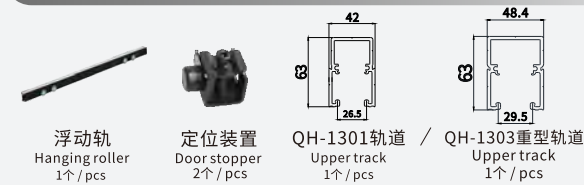
功能特性 Features

- 适用于单扇或多扇平移门
Suitable for single or multiple sliding doors
- 适用于家庭、酒店、写字楼等场所使用的缓冲平移门
Suitable for sliding doors for families, hotels, office buildings, etc.
- 无马达电磁驱动,APP后台设置,自适应防夹保护装置,断电工作模式,CE认证
No motor electromagnetic drive, APP background setting, device, power-off working mode, CE certification
- 无线按钮开关,指纹开关,密码开关,微波感应开关,人脸识别开关
Wireless button switch, fingerprint switch, password switch, Microwave induction switch, face recognition switch

材质及表面处理 Materials and finishes

- 导轨:铝合金,喷涂砂黑
Sliding track: Aluminum, spray sand black
- 吊轮:铝合金,喷涂砂黑
Hanging roller: Aluminum, spray sand black
- 窄边吊码:铝合金,氧化哑黑
Bracket: Aluminum, spray sand black
- 吊码:铁
Bracket: Iron
- 玻璃夹:铝合金,氧化砂黑
Glass clamp: Aluminum, spray sand black

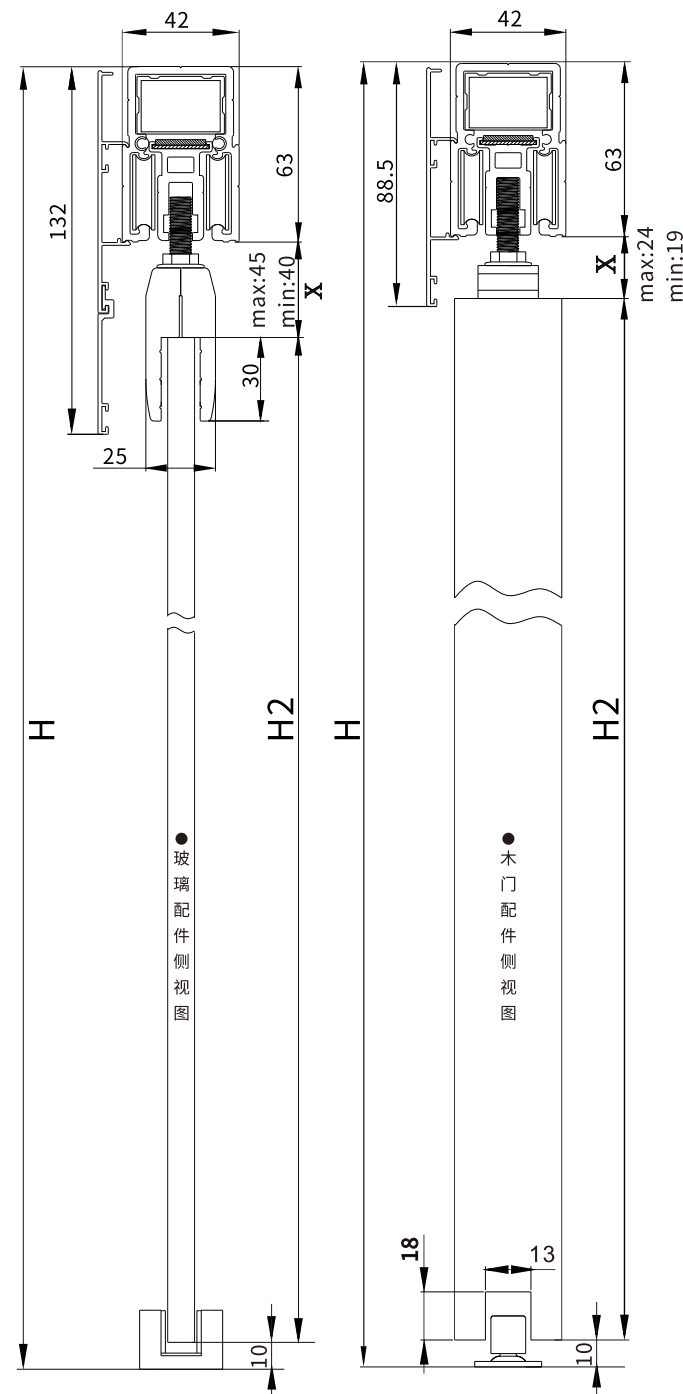
标准配置 Standard configuration



选配配件 Optional accessories



选配开关 Optional switch



浮动轨长度规格表

Floating rail length specification sheet

序号 NO.	浮动轨长度(MM) Length of floating rail	适用门宽(MM) Door width	运行速度 Running speed
1	793	800-1000	200-500mm/sec
2	1033	1000-1200	
3	1240	1200-1400	
4	1345	1400-1500	

噪音分贝: Noise ≤ 40 dB

待机功率: Standby Power Consumption ≤ 5 W

运行功耗: Operational Power Consumption ≤ 100 W

遇阻反弹: Resoatance- Rebound ≤ 10 N

电压(直流): Voltage(dc) 220V/110V

备注 Remarks

- 浮动轨的长度是根据门宽配置的。
The length of the floating rail is configured according to the width of the door
- 安装时,驱动系统与浮动轨的位置要重叠300MM以上。
During installation, the position of the driving system and the floating rail should be overlapped by more than 300MM.
- 常规配置一种开关,如果要增加其他模式的开关,需要提前说明。
General configuration is only one switch, if you want to add other modes of switch, need to specify in advance.
- 运行速度在出厂前就已设置好,如果需要其他的速度参数,请提前说明。
The speed has been set before leaving the factory. If you need other speed parameters, please specify them in advance.

电磁驱动智能滑轮参数

Electromagnetically driven intelligent pulley parameters

产品型号 Item NO.	HL-ML06-01 吊码 Bracket	HL-ML06-02 玻璃夹 Glass clamp	HL-ML06-03 窄边吊码 Bracket	HL-ML07-01 吊码(重型) Bracket	HL-ML07-02 玻璃夹(重型) Glass clamp	HL-ML07-03 窄边吊码(重型) Bracket
承重(KG) MAX Capacity	80	80	80	150	150	150
适用厚度(mm) Door thickness	≥ 25	6~12	45	≥ 25	6~12	45
门高公式(H2) Door height formula	H-63-X-10					

三联动电磁驱动智能滑轮系统

Synchronized magnetic sliding system for 3 doors

功能特性 Features

- 适用于单扇或多扇平移门
Suitable for single or multiple sliding doors
- 适用于家庭、酒店、写字楼等场所使用的缓冲平移门
Suitable for sliding doors for families, hotels, office buildings, etc.
- 无马达电磁驱动,APP后台设置,自适应防夹保护装置,断电工作模式,CE认证
No motor electromagnetic drive, APP background setting, device, power-off working mode, CE certification
- 无线按钮开关,指纹开关,密码开关,微波感应开关,人脸识别开关
Wireless button switch, fingerprint switch, password switch, Microwave induction switch, face recognition switch

材质及表面处理 Materials and finishes

- 导轨:铝合金,喷涂砂黑
Sliding track: Aluminum, spray sand black
- 吊轮:铝合金,喷涂砂黑
Hanging roller: Aluminum, spray sand black
- 窄边吊码:铝合金,氧化哑黑
Bracket: Aluminum, spray sand black

标准配置 Standard configuration

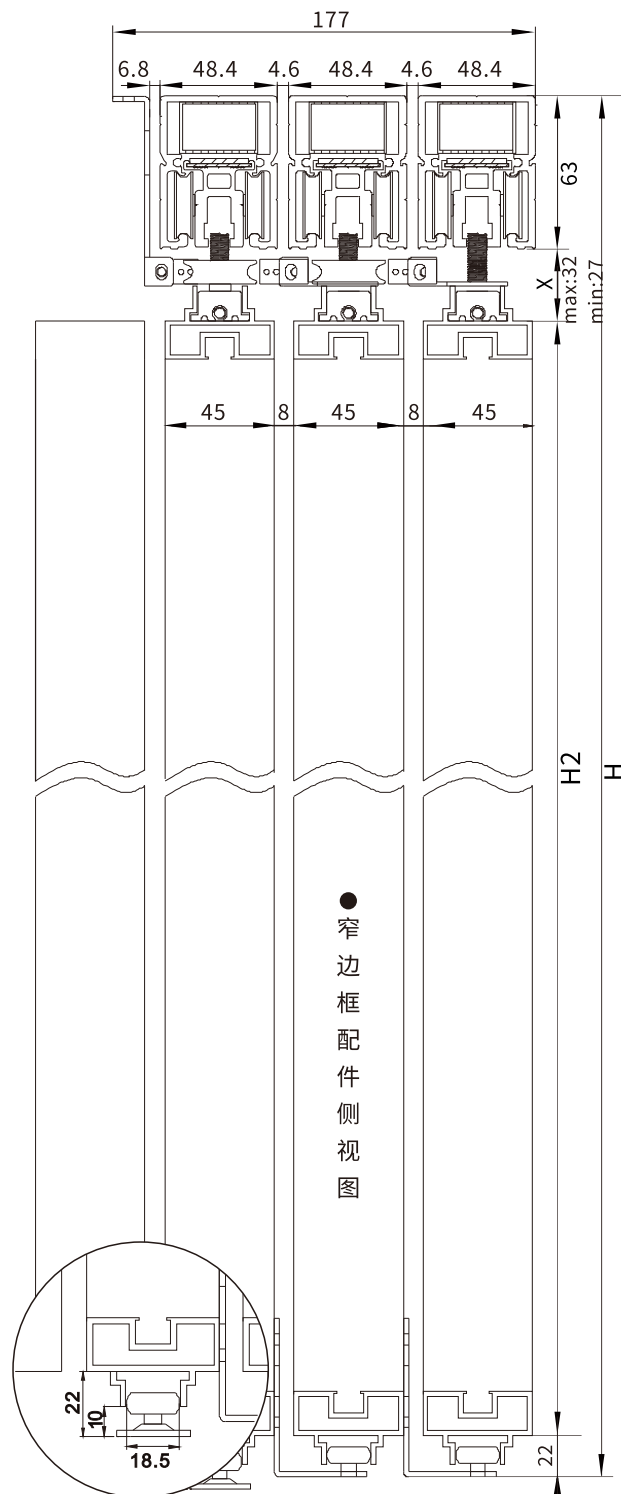
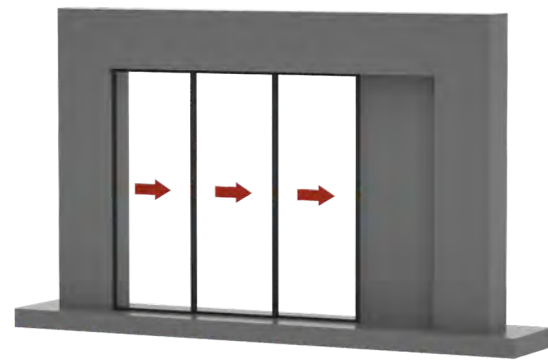


选配开关 Optional switch



产品参数 Product parameters

产品型号 Item NO.	承重(KG) Capacity	适用厚度(mm) Door thickness	门高公式(H2) Door height formula	门扇宽度(mm) Door width
HL-ML08-01	80	45	H-63-X-22	≥800



同步反向电磁驱动智能滑轮系统

Synchronized inversion magnetic sliding double door system

功能特性 Features

- 适用于单扇或多扇平移门
Suitable for single or multiple sliding doors
- 适用于家庭、酒店、写字楼等场所使用的缓冲平移门
Suitable for sliding doors for families, hotels, office buildings, etc.
- 无马达电磁驱动,APP后台设置,自适应防夹保护装置,断电工作模式,CE认证
No motor electromagnetic drive, APP background setting, device, power-off working mode, CE certification
- 无线按钮开关,指纹开关,密码开关,微波感应开关,人脸识别开关
Wireless button switch, fingerprint switch, password switch, Microwave induction switch, face recognition switch

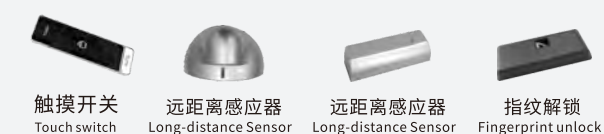
材质及表面处理 Materials and finishes

- 导轨:铝合金,喷涂砂黑
Sliding track: Aluminum, spray sand black
- 吊轮:铝合金,喷涂砂黑
Hanging roller: Aluminum, spray sand black
- 窄边吊码:铝合金,氧化哑黑
Bracket: Aluminum, spray sand black

窄边框标准配置 Aluminum frame profile standard configuration

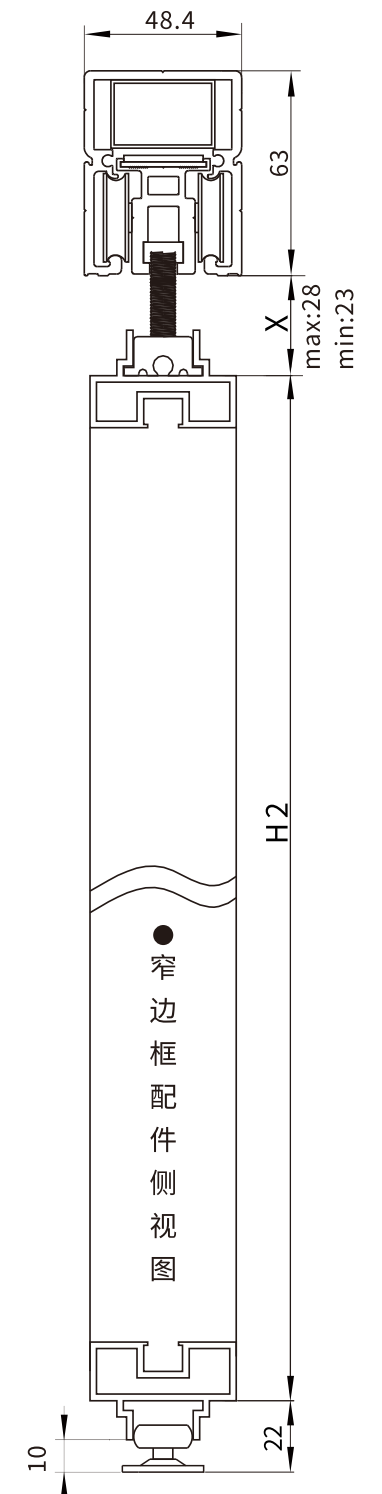
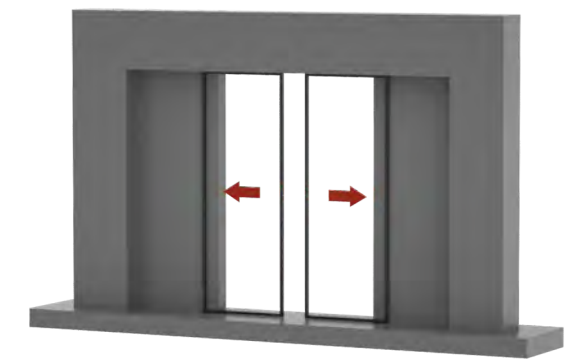


选配开关 Optional switch



产品参数 Product parameters

产品型号 Item NO.	承重(KG) Capacity	适用厚度(mm) Door thickness	门高公式(H2) Door height formula	门扇宽度(mm) Door width
HL-ML08-01	80	45	H-63-X-22	≥800



两联动电磁驱动智能滑轮系统

Synchronized magnetic sliding system for 2 doors

功能特性 Features

- 适用于单扇或多扇平移门
Suitable for single or multiple sliding doors
- 适用于家庭、酒店、写字楼等场所使用的缓冲平移门
Suitable for sliding doors for families, hotels, office buildings, etc.
- 无马达电磁驱动,APP后台设置,自适应防夹保护装置,断电工作模式,
CE认证
No motor electromagnetic drive, APP background setting, device, power-off working mode, CE certification
- 无线按钮开关,指纹开关,密码开关,微波感应开关,人脸识别开关
Wireless button switch, fingerprint switch, password switch, Microwave induction switch, face recognition switch

材质及表面处理 Materials and finishes

- 导轨: 铝合金, 喷涂砂黑
Sliding track: Aluminum, spray sand black
- 吊轮: 铝合金, 喷涂砂黑
Hanging roller: Aluminum, spray sand black

- 吊码: 铁
Bracket: Iron

标准配置 Standard configuration

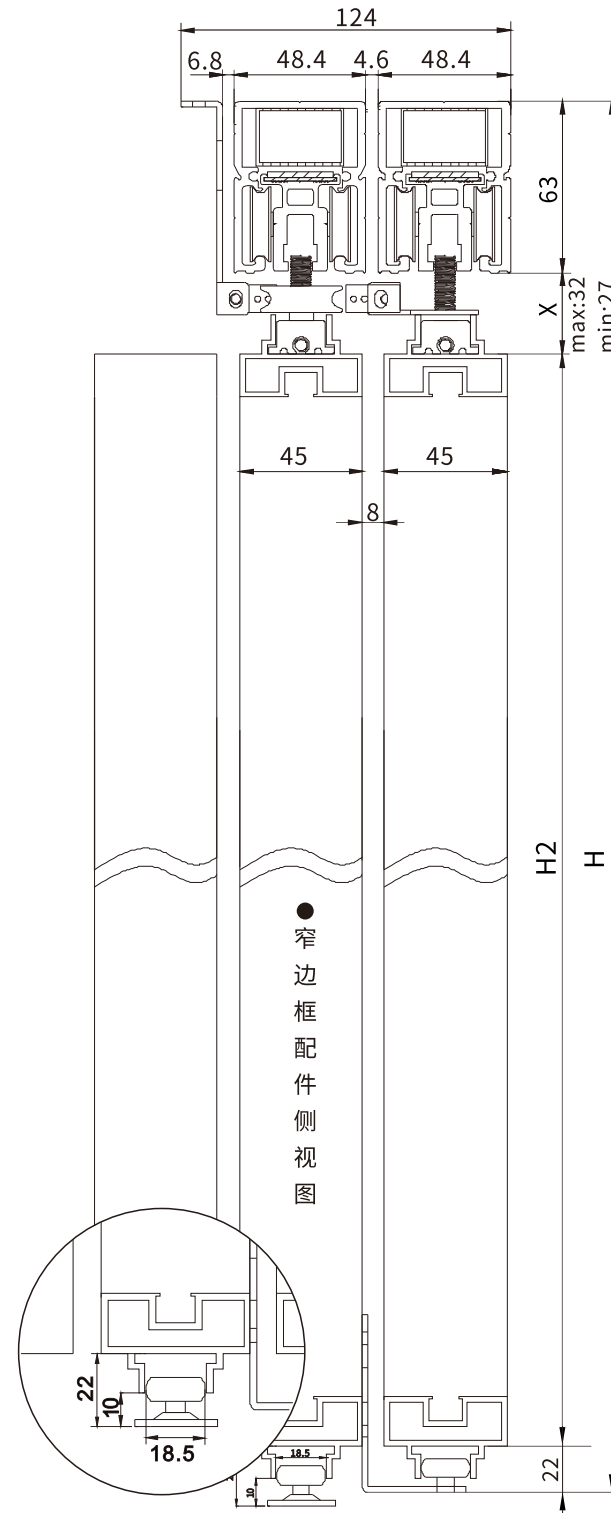
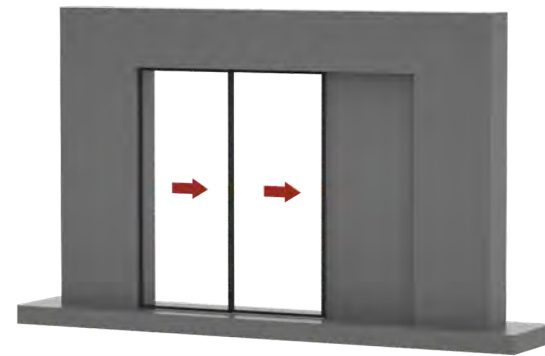


选配开关 Optional switch



产品参数 Product parameters

产品型号 Item NO.	承重(KG) Capacity	适用厚度(mm) Door thickness	门高公式(PH) Door height formula	门扇宽度(mm) Door width
HL-ML08-02	80	45	H-63-X-22	≥800



HL-089B-04 对开联动门3+3

Synchronized inversion soft close sliding system for 3+3 doors

功能特性 Features

- 适用于同步反向开启三扇平移门
Synchronized inversion soft close sliding system for 3 doors
- 适用于家庭、酒店、写字楼等场所使用的缓冲平移门
Suitable for sliding doors for families, hotels, office buildings, etc.
- 节省空间,装饰性好
Space saving, good decoration

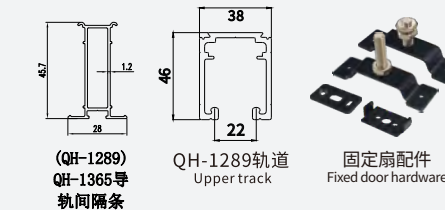
材质及表面处理 Materials and finishes

- 导轨: 铝合金, 阳极氧化
Sliding track: Aluminum, Anodized
- 吊轮: 锌合金, 珍珠铬
Hanging roller: Zinc alloy, PC
- 吊码: 铝合金, 氧化哑黑
Bracket: Aluminum, spray sand black

标准配置 Standard configuration

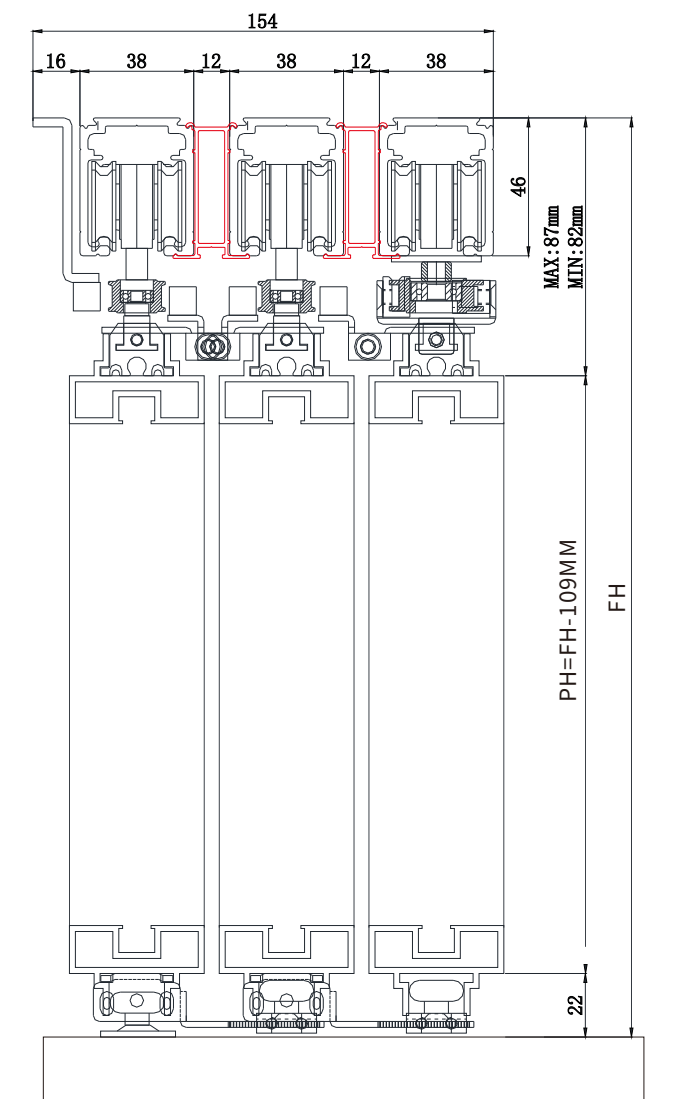
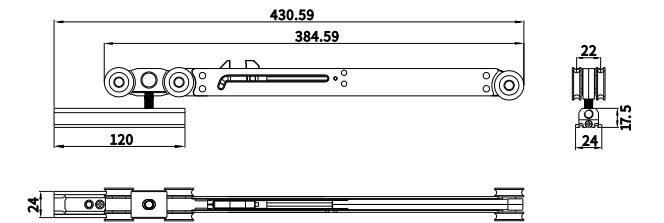
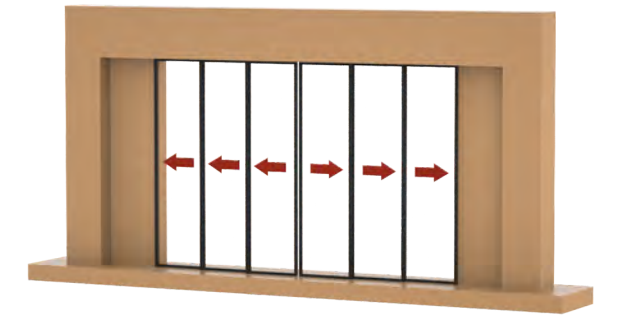


选配配件 Optional accessories



产品参数 Product parameters

产品型号 Item NO.	承重(KG) Capacity	适用厚度(MM) Door thickness	门高公式(PH) Door height formula	门扇宽度(MM) Door width
HL-089A-06	80	30-45	FH-108	580-1200



HL-089B-05 对开联动门2+2

Synchronized inversion soft close sliding system for 2+2 doors

功能特性 Features

- 适用于同步反向开启两扇平移门
Synchronized inversion soft close sliding system for 2 doors
- 适用于家庭、酒店、写字楼等场所使用的缓冲平移门
Suitable for sliding doors for families, hotels, office buildings, etc.
- 节省空间, 装饰性好
Space saving, good decoration

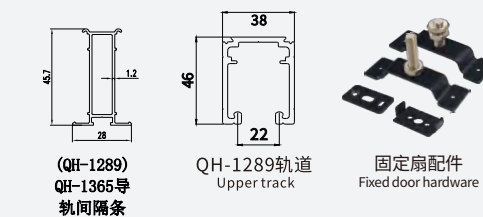
材质及表面处理 Materials and finishes

- 导轨: 铝合金, 阳极氧化
Sliding track: Aluminum, Anodized
- 吊轮: 锌合金, 珍珠铬
Hanging roller: Zinc alloy, PC
- 吊码: 铝合金, 氧化哑黑
Bracket: Aluminum, spray sand black

标准配置 Standard configuration

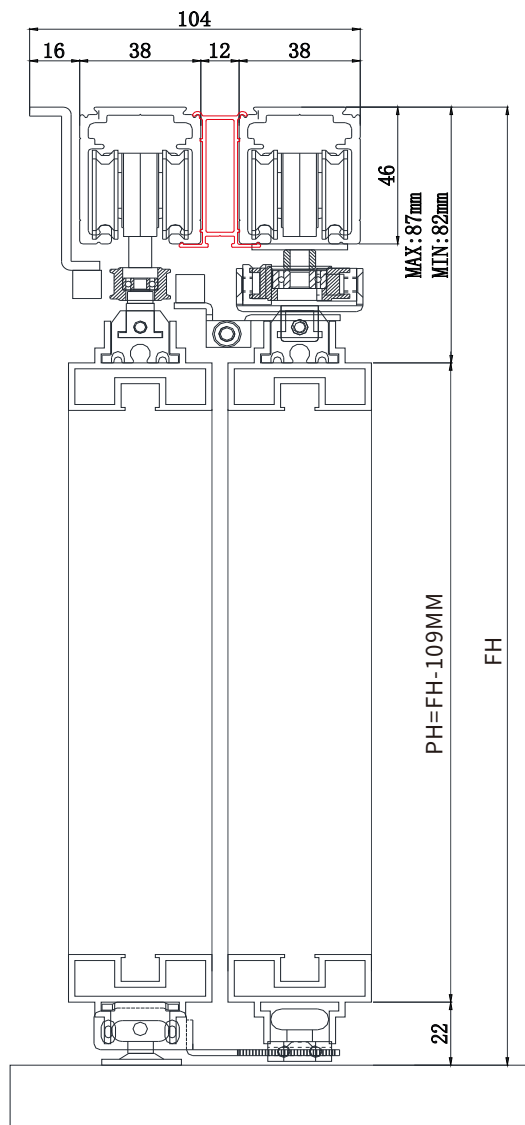
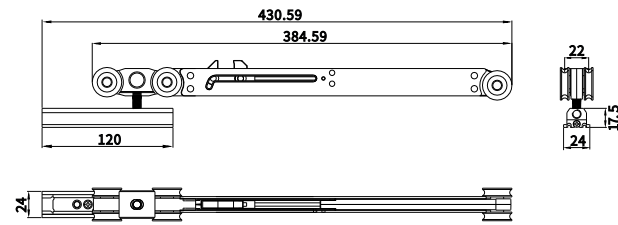
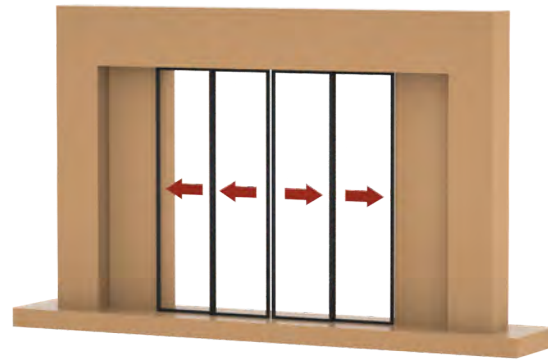


选配配件 Optional accessories



产品参数 Product parameters

产品型号 Item NO.	承重(KG) Capacity	适用厚度(MM) Door thickness	门高公式(PH) Door height formula	门扇宽度(MM) Door width
HL-089A-05	80	30-45	FH-108	580-1200



HL-089A-01 三门同步同向联动阻尼滑轮

Synchronized soft close sliding system for 3 doors

功能特性 Features

- 适用于同步同向开启三扇平移门
Synchronized Syntropy sliding system for three doors
- 适用于家庭、酒店、写字楼等场所使用的缓冲平移门
Suitable for sliding doors for families, hotels, office buildings, etc.
- 节省空间, 装饰性好
Space saving, good decoration

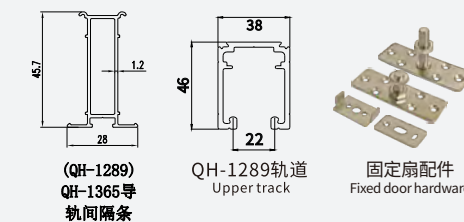
材质及表面处理 Materials and finishes

- 导轨: 铝合金, 阳极氧化
Sliding track: Aluminum, Anodized
- 吊轮: 锌合金, 珍珠铬
Hanging roller: Zinc alloy, PC
- 吊码: 铁, 镍
Bracket: Iron, SN

标准配置 Standard configuration

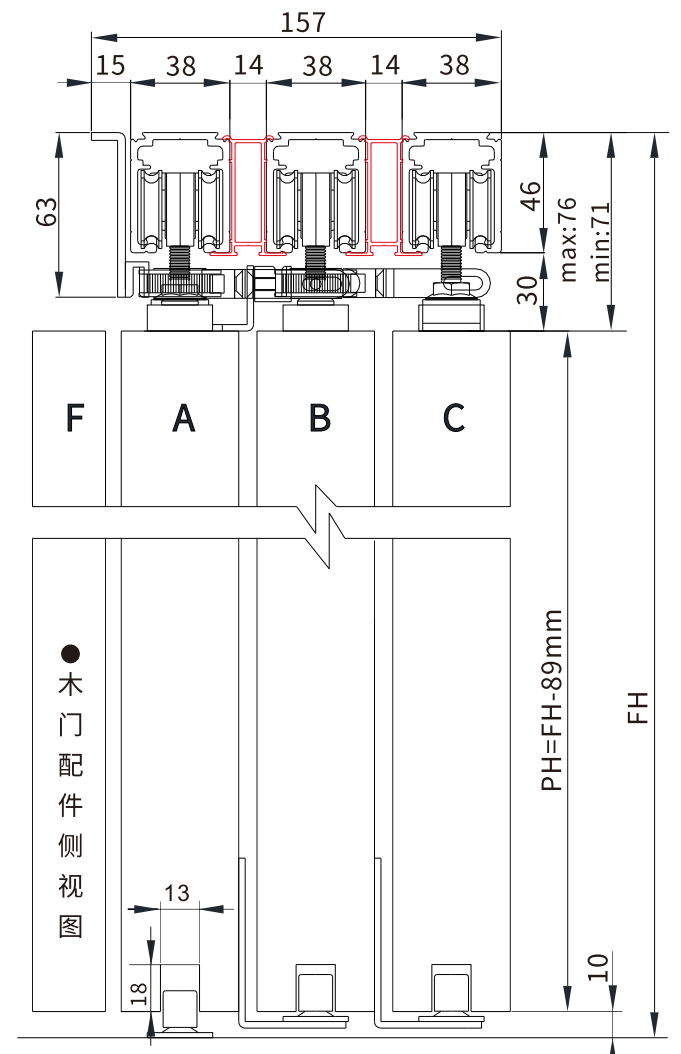
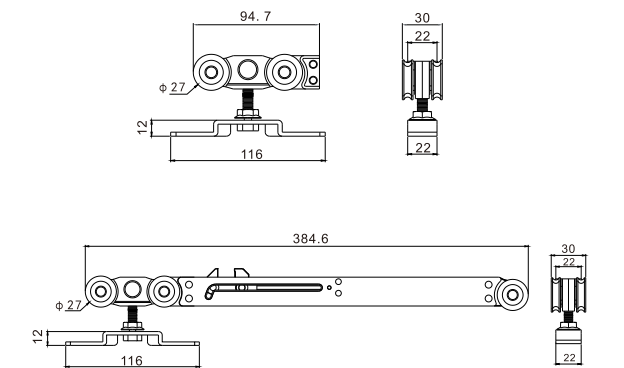
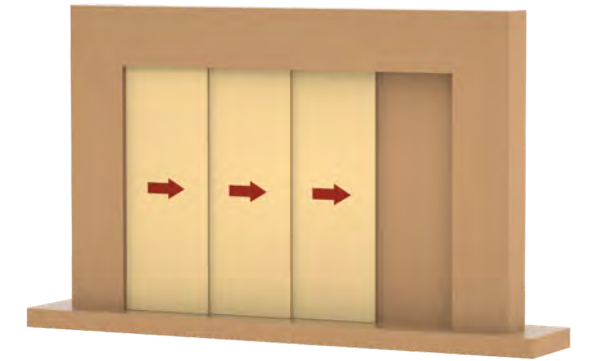


选配配件 Optional accessories



产品参数 Product parameters

产品型号 Item NO.	承重(KG) Capacity	适用厚度(MM) Door thickness	门高公式(PH) Door height formula	门扇宽度(MM) Door width
HL-089A-01	80	30-45	FH-89	650-1200



HL-089A-02 两门同步同向联动阻尼滑轮

Synchronized soft close sliding system for 2 doors

功能特性 Features

- 适用于同步同向开启双扇平移门
Synchronzide Syntropy sliding system for double doors
- 适用于家庭、酒店、写字楼等场所使用的缓冲平移门
Suitable for sliding doors for families, hotels, office buildings, etc.
- 节省空间, 装饰性好
Space saving, good decoration

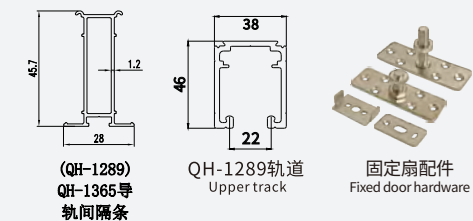
材质及表面处理 Materials and finishes

- 导轨: 铝合金, 阳极氧化
Sliding track: Aluminum, Anodized
- 吊轮: 锌合金, 珍珠铬
Hanging roller: Zinc alloy, PC
- 吊码: 铁, 镍
Bracket: Iron, SN

标准配置 Standard configuration

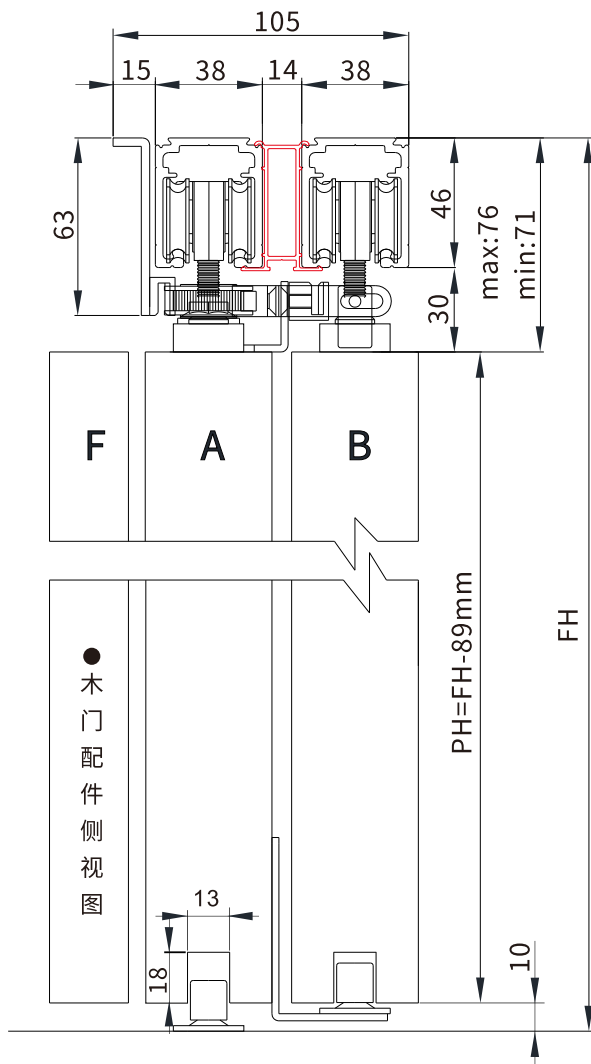
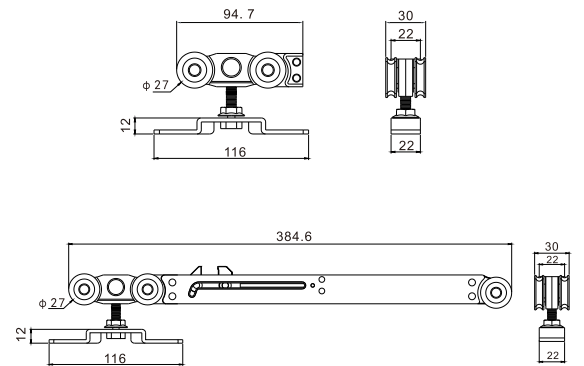
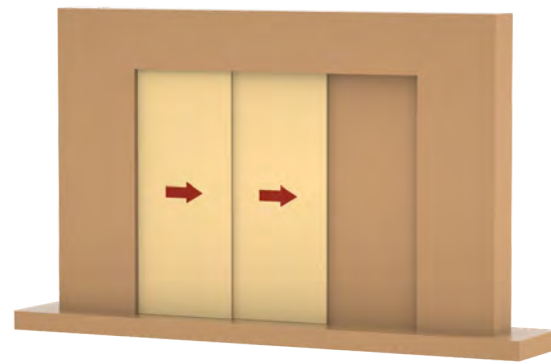


选配配件 Optional accessories



产品参数 Product parameters

产品型号 Item NO.	承重(KG) Capacity	适用厚度(MM) Door thickness	门高公式(PH) Door height formula	门扇宽度(MM) Door width
HL-089A-02	80	30-45	FH-89	650-1200



● 木门配件侧视图

HL-089A-03 两门同步反向联动阻尼滑轮

Synchronized inversion soft close sliding double door system

功能特性 Features

- 适用于同步同向开启三扇平移门
Synchronzide Syntropy sliding system for three doors
- 适用于家庭、酒店、写字楼等场所使用的缓冲平移门
Suitable for sliding doors for families, hotels, office buildings, etc.
- 节省空间, 装饰性好
Space saving, good decoration

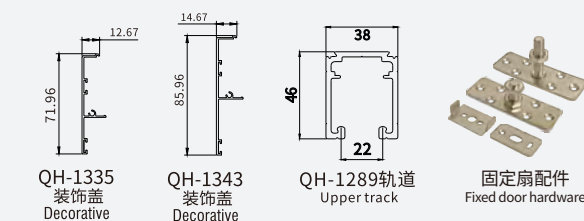
材质及表面处理 Materials and finishes

- 导轨: 铝合金, 阳极氧化
Sliding track: Aluminum, Anodized
- 吊轮: 锌合金, 珍珠铬
Hanging roller: Zinc alloy, PC
- 吊码: 铁, 镍
Bracket: Iron, SN

标准配置 Standard configuration

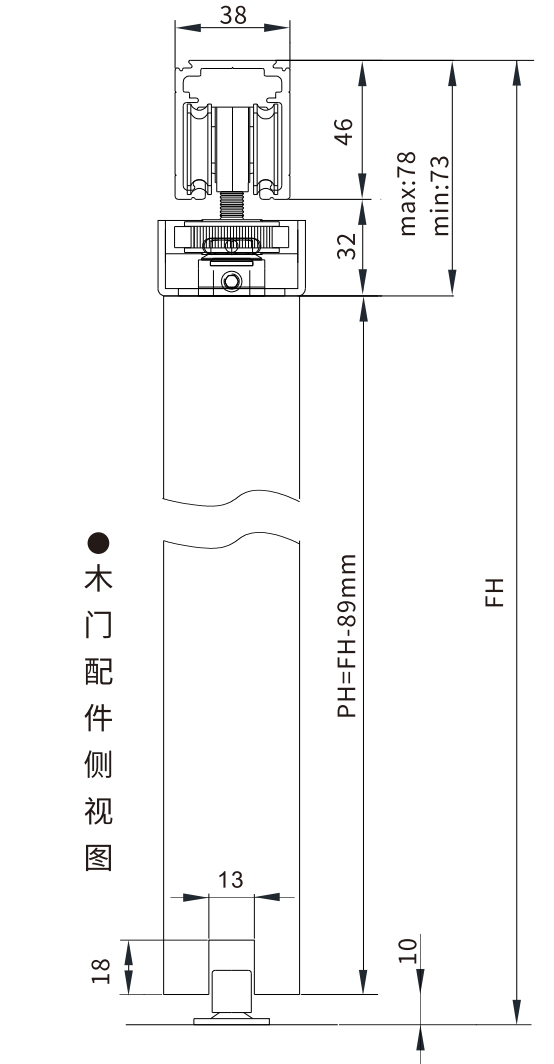
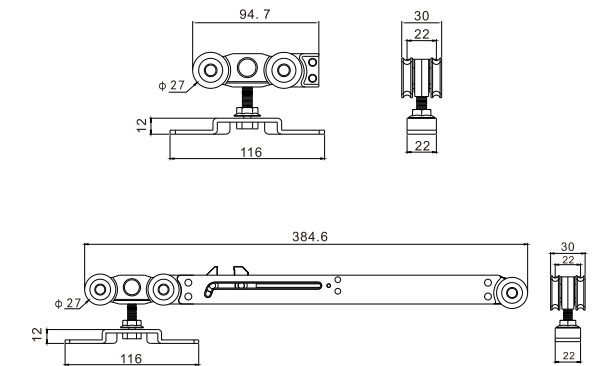
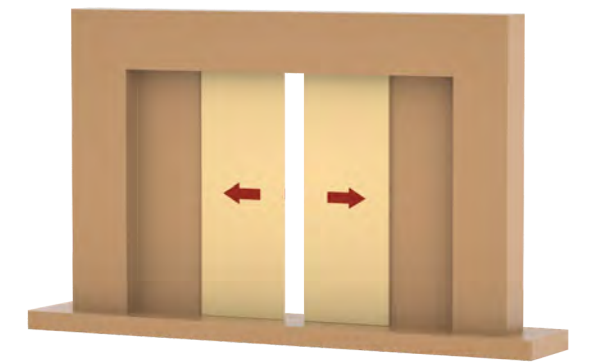


选配配件 Optional accessories



产品参数 Product parameters

产品型号 Item NO.	承重(KG) Capacity	适用厚度(MM) Door thickness	门高公式(PH) Door height formula	门扇宽度(MM) Door width
HL-089A-03	80	30-45	FH-89	610-1000



● 木门配件侧视图

HL-089A-04 三门同步同向联动阻尼滑轮

Synchronized soft close sliding system for 3 doors

功能特性 Features

- 适用于同步同向开启三扇平移门
Synchronized Syntropy sliding system for three doors
- 适用于家庭、酒店、写字楼等场所使用的缓冲平移门
Suitable for sliding doors for families, hotels, office buildings, etc.
- 节省空间, 装饰性好
Space saving, good decoration

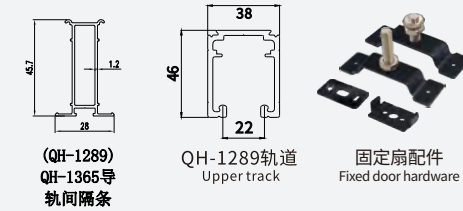
材质及表面处理 Materials and finishes

- 导轨: 铝合金, 阳极氧化
Sliding track: Aluminum, Anodized
- 吊轮: 锌合金, 珍珠铬
Hanging roller: Zinc alloy, PC
- 吊码: 铝合金, 氧化哑黑
Bracket: Aluminum, spray sand black

标准配置 Standard configuration



选配配件 Optional accessories



产品参数 Product parameters

产品型号 Item NO.	承重(KG) Capacity	适用厚度(MM) Door thickness	门高公式(PH) Door height formula	门扇宽度(MM) Door width
HL-089A-04	80	30-45	FH-108	580-1200

HL-089A-05 两门同步同向联动阻尼滑轮

Synchronized soft close sliding system for 2 doors

功能特性 Features

- 适用于同步同向开启三扇平移门
Synchronized Syntropy sliding system for three doors
- 适用于家庭、酒店、写字楼等场所使用的缓冲平移门
Suitable for sliding doors for families, hotels, office buildings, etc.
- 节省空间, 装饰性好
Space saving, good decoration

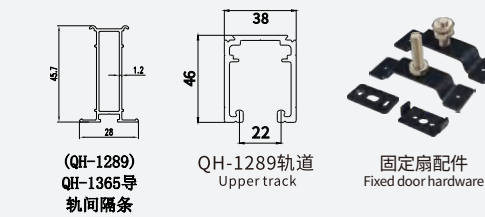
材质及表面处理 Materials and finishes

- 导轨: 铝合金, 阳极氧化
Sliding track: Aluminum, Anodized
- 吊轮: 锌合金, 珍珠铬
Hanging roller: Zinc alloy, PC
- 吊码: 铝合金, 氧化哑黑
Bracket: Aluminum, spray sand black

标准配置 Standard configuration

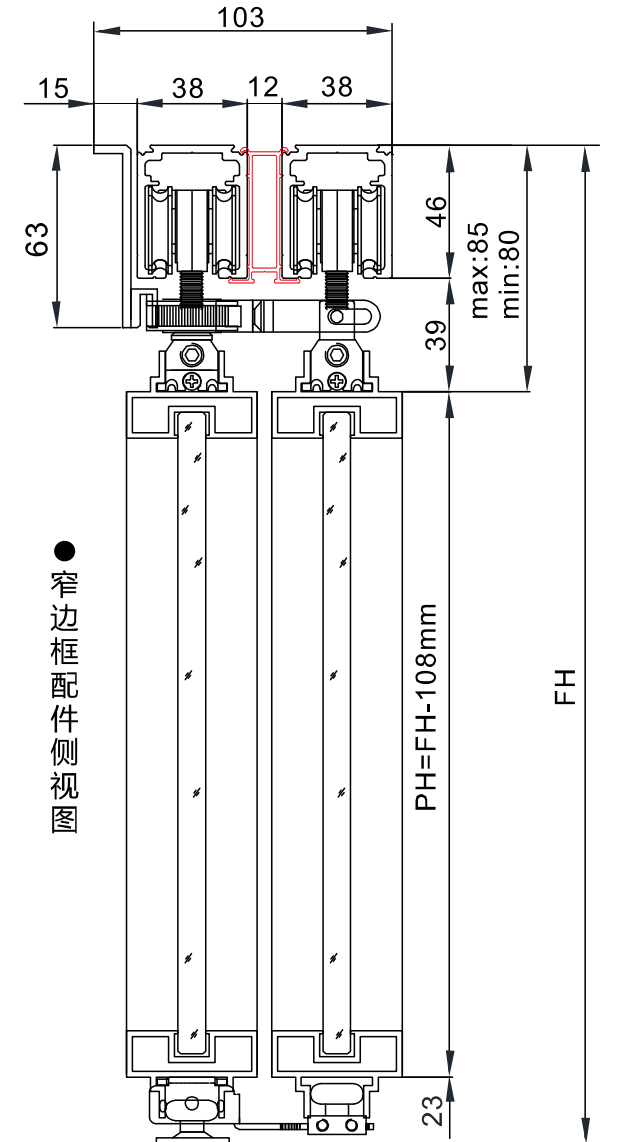
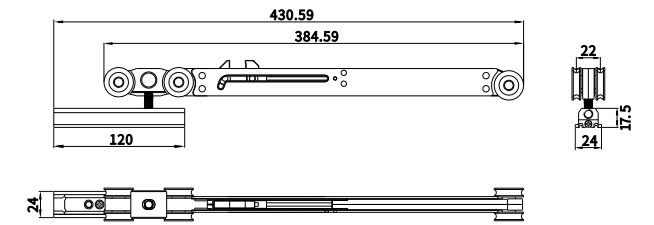
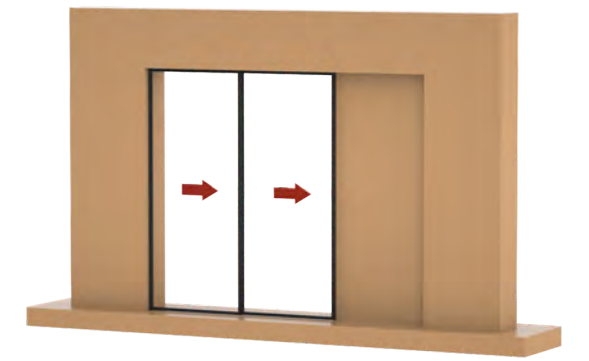
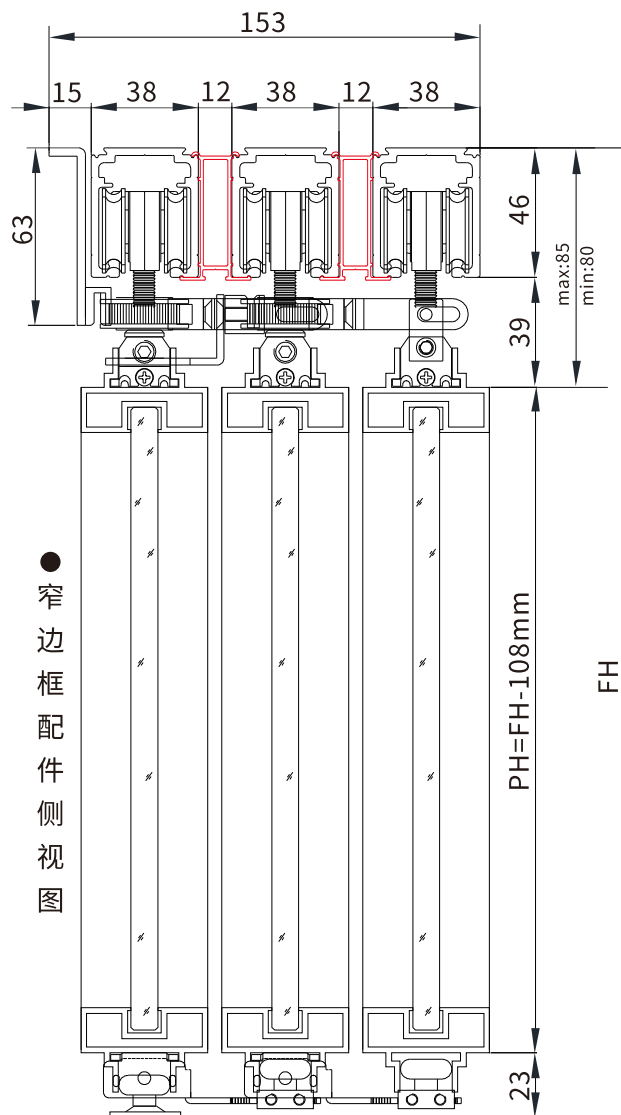
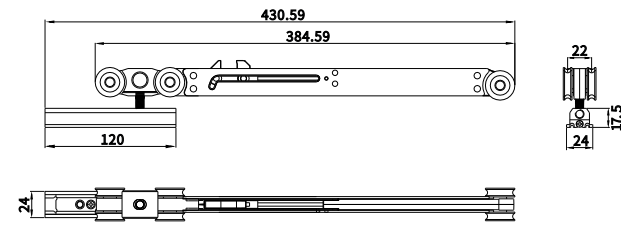
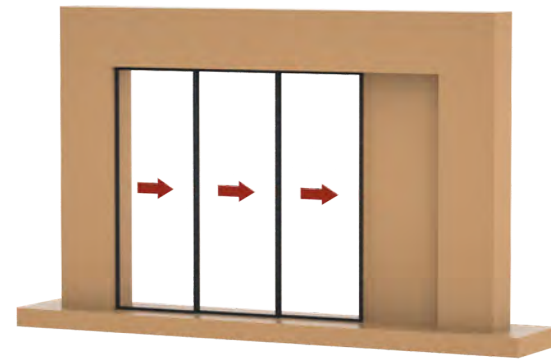


选配配件 Optional accessories



产品参数 Product parameters

产品型号 Item NO.	承重(KG) Capacity	适用厚度(MM) Door thickness	门高公式(PH) Door height formula	门扇宽度(MM) Door width
HL-089A-05	80	30-45	FH-108	580-1200



HL-089A-06 两门同步反向联动阻尼滑轮

Synchronized inversion soft close sliding double door system

功能特性 Features

- 适用于同步同向开启三扇平移门
Synchronized Syntropy sliding system for three doors
- 适用于家庭、酒店、写字楼等场所使用的缓冲平移门
Suitable for sliding doors for families, hotels, office buildings, etc.
- 节省空间, 装饰性好
Space saving, good decoration

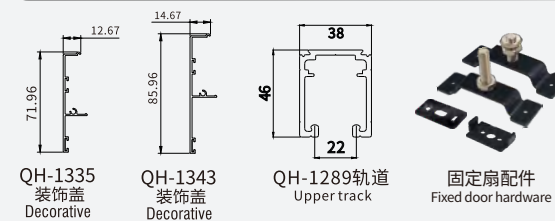
材质及表面处理 Materials and finishes

- 导轨: 铝合金, 阳极氧化
Sliding track: Aluminum, Anodized
- 吊轮: 锌合金, 珍珠铬
Hanging roller: Zinc alloy, PC
- 吊码: 铝合金, 氧化哑黑
Bracket: Aluminum, spray sand black

标准配置 Standard configuration

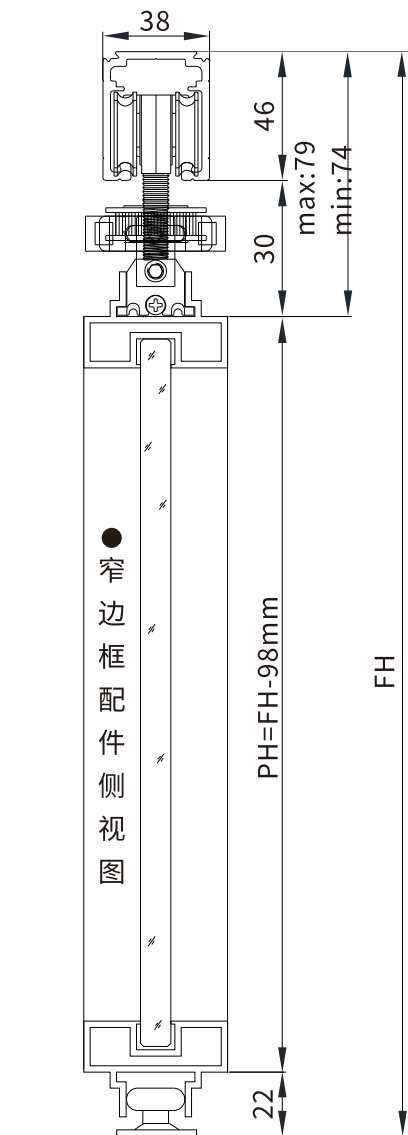
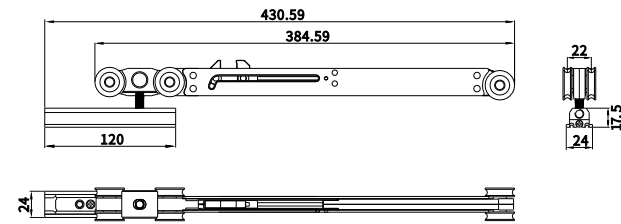
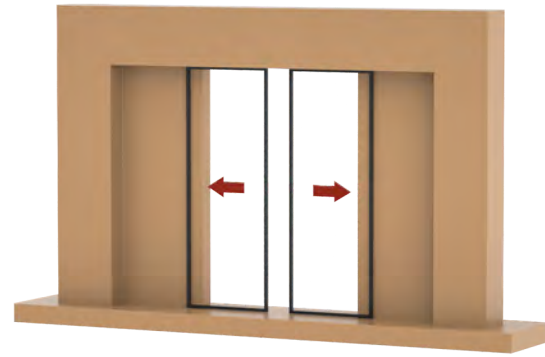


选配配件 Optional accessories



产品参数 Product parameters

产品型号 Item NO.	承重(KG) Capacity	适用厚度(MM) Door thickness	门高公式(PH) Door height formula	门扇宽度(MM) Door width
HL-089A-06	80	30-45	FH-98	580-1000



HL-086-01 三门同步同向联动阻尼滑轮

Synchronized soft close sliding system for 3 doors

功能特性 Features

- 适用于同步同向开启三扇平移门
Synchronized Syntropy sliding system for three doors.
- 适用于家庭、酒店、写字楼等场所使用的缓冲平移门
Suitable for sliding doors for families, hotels, office buildings, etc.
- 节省空间, 装饰性好
Space saving, good decoration

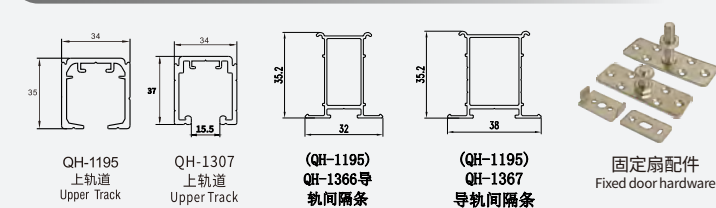
材质及表面处理 Materials and finishes

- 导轨: 铝合金, 阳极氧化
Sliding track: Aluminum, Anodized
- 吊轮: 锌合金, 砂镍
Hanging roller: Zinc alloy, SN
- 吊码: 铁, 镍
Bracket: Iron, SN

标准配置 Standard configuration

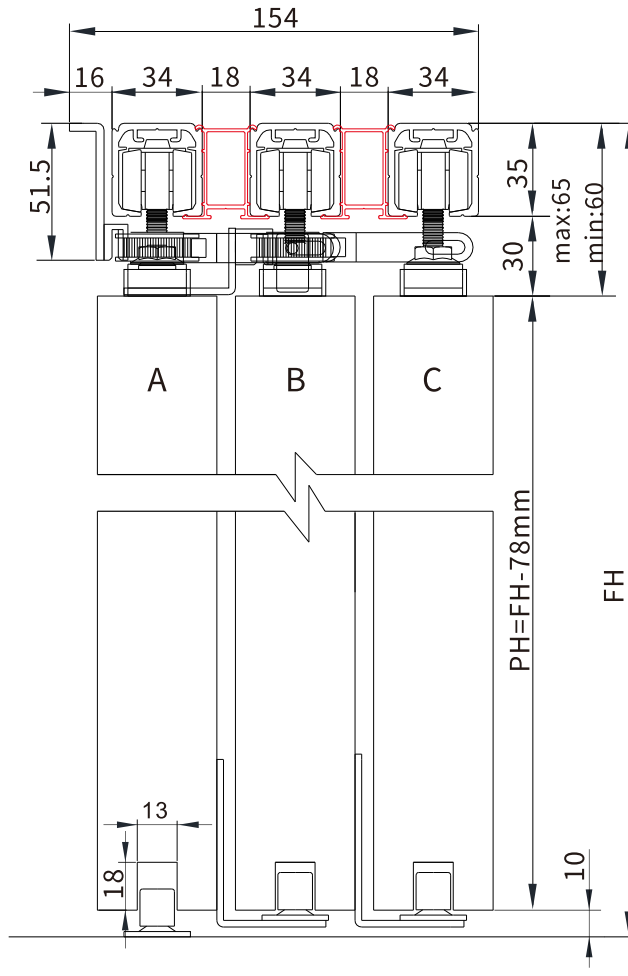
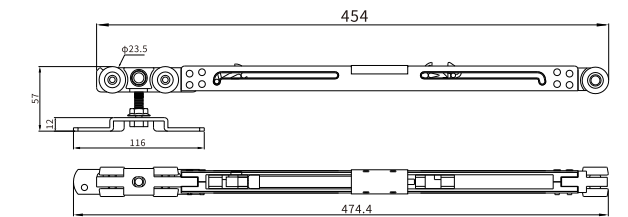
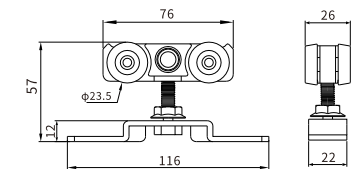
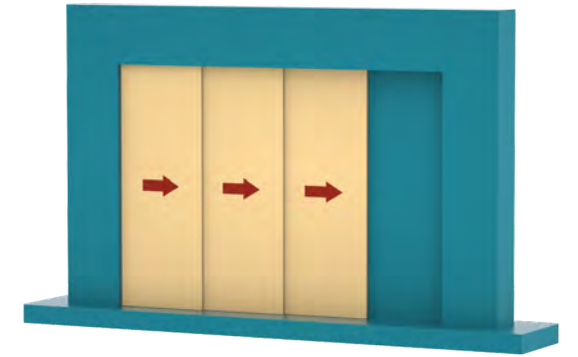


选配配件 Optional accessories



产品参数 Product parameters

产品型号 Item NO.	承重(KG) Capacity	适用厚度(MM) Door thickness	门高公式(PH) Door height formula	门扇宽度(MM) Door width
HL-086-01	60	30-45	FH-78	680-1200



HL-086-02 两门同步同向联动阻尼滑轮

Synchronized soft close sliding system for 2 doors

功能特性 Features

- 适用于同步同向开启双扇平移门
Synchronzide Syntropy sliding system for double doors
- 适用于家庭、酒店、写字楼等场所使用的缓冲平移门
Suitable for sliding doors for families, hotels, office buildings, etc.
- 节省空间, 装饰性好
Space saving, good decoration

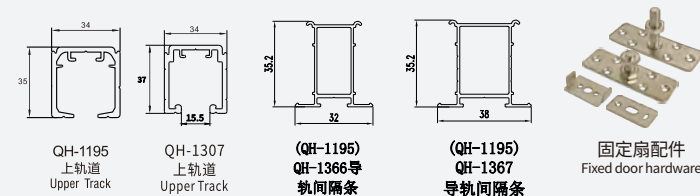
材质及表面处理 Materials and finishes

- 导轨: 铝合金, 阳极氧化
Sliding track: Aluminum, Anodized
- 吊轮: 锌合金, 砂镍
Hanging roller: Zinc alloy, SN
- 吊码: 铁, 镍
Bracket: Iron, SN

标准配置 Standard configuration

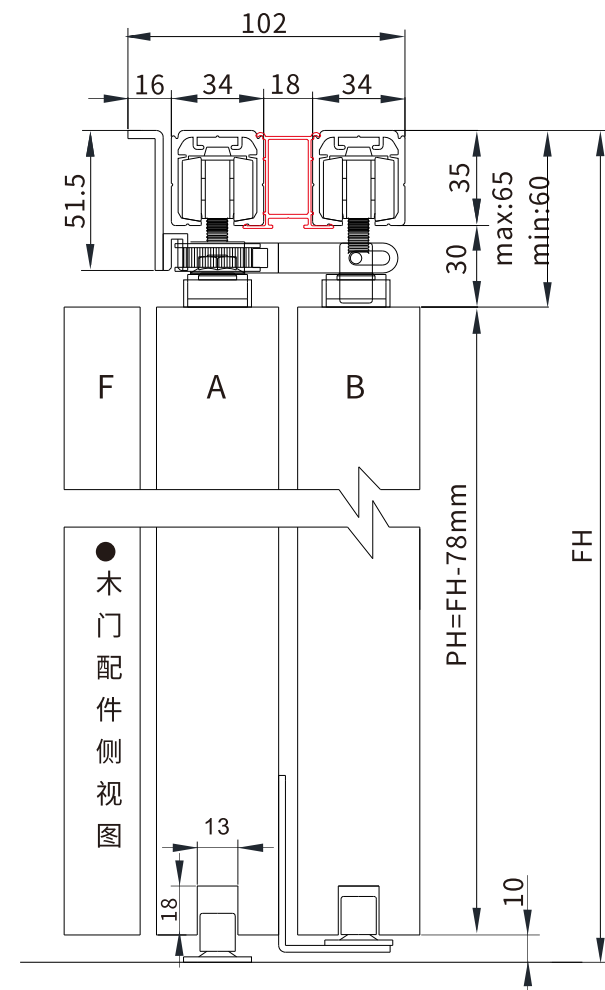
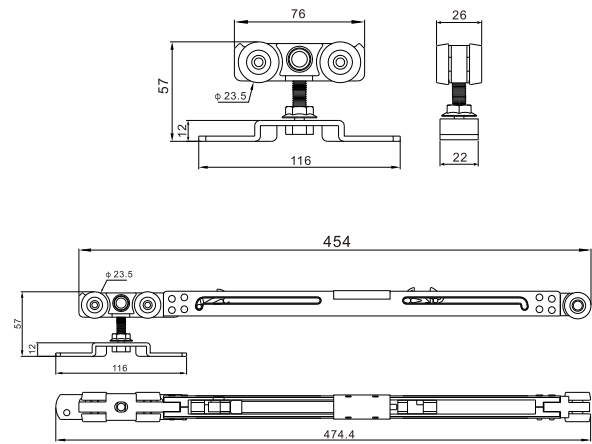
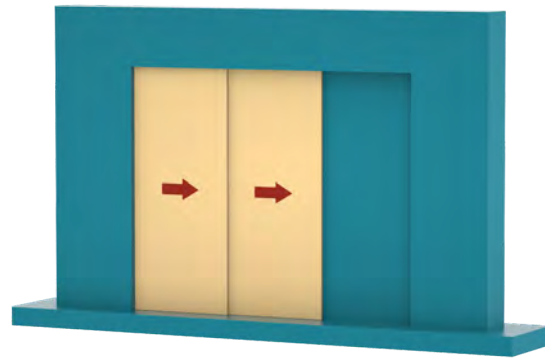


选配配件 Optional accessories



产品参数 Product parameters

产品型号 Item NO.	承重(KG) Capacity	适用厚度(MM) Door thickness	门高公式(PH) Door height formula	门扇宽度(MM) Door width
HL-086-02	60	30-45	FH-78	680-1200



HL-086-03 两门同步反向联动阻尼滑轮

Synchronized inversion soft close sliding double door system

功能特性 Features

- 适用于双扇平移门, 同步反向开启双扇平移门
For double leaf sliding doors, Synchronized inversion sliding system for double door.
- 适用于家庭、酒店、写字楼等场所使用的缓冲平移门
Suitable for sliding doors for families, hotels, office buildings, etc.
- 节省空间, 装饰性好
Space saving, good decoration

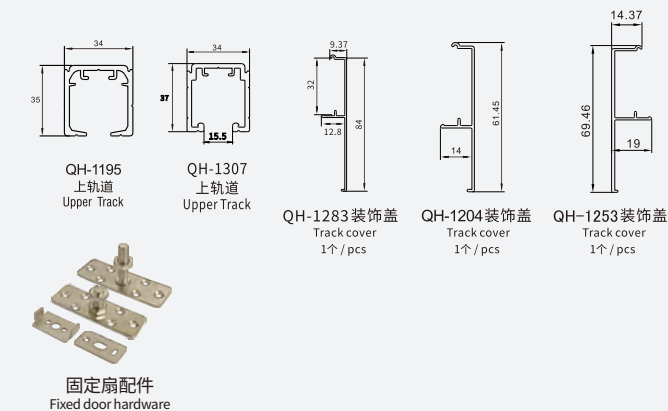
材质及表面处理 Materials and finishes

- 导轨: 铝合金, 阳极氧化
Sliding track: Aluminum, Anodized
- 吊轮: 锌合金, 砂镍
Hanging roller: Zinc alloy, SN
- 吊码: 铁, 镍
Bracket: Iron, SN

标准配置 Standard configuration

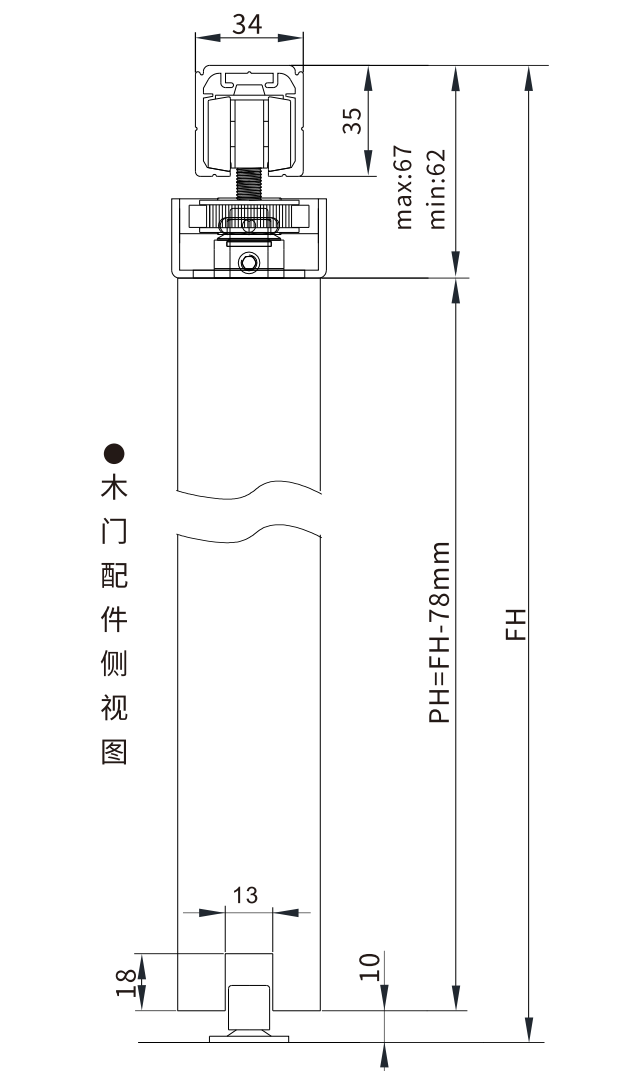
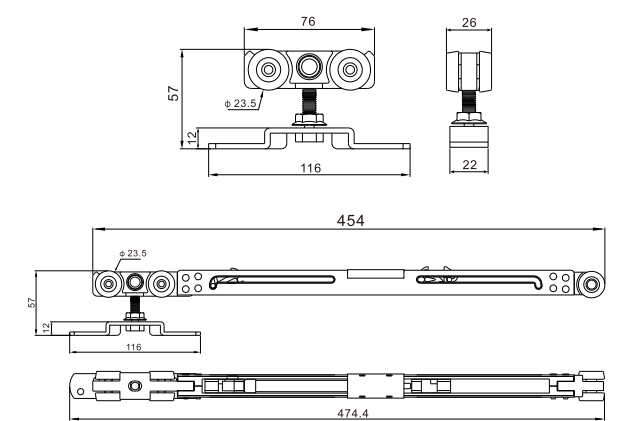
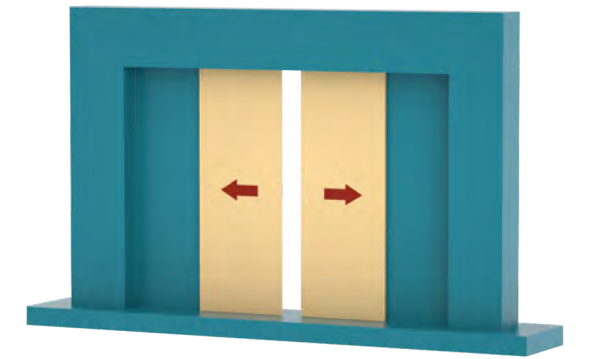


选配配件 Optional accessories



产品参数 Product parameters

产品型号 Item NO.	承重(KG) Capacity	适用厚度(MM) Door thickness	门高公式(PH) Door height formula	门扇宽度(MM) Door width
HL-086-03	60	30-45	FH-78	655-1000



HL-086-04 三门同步同向联动阻尼滑轮

Synchronized soft close sliding system for 3 doors

功能特性 Features

- 适用于同步同向开启三扇平移门
Synchronized Syntropy sliding system for three doors
- 适用于家庭、酒店、写字楼等场所使用的缓冲平移门
Suitable for sliding doors for families, hotels, office buildings, etc.
- 节省空间, 装饰性好
Space saving, good decoration

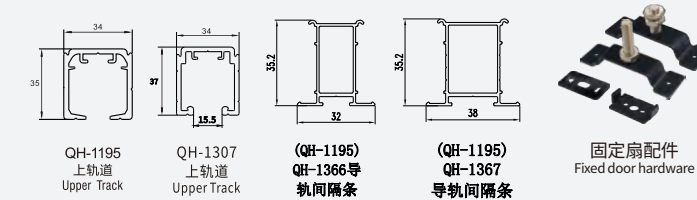
材质及表面处理 Materials and finishes

- 导轨: 铝合金, 阳极氧化
Sliding track: Aluminum, Anodized
- 吊轮: 锌合金, 砂镍
Hanging roller: Zinc alloy, SN
- 吊码: 铝合金, 氧化哑黑
Bracket: Aluminum, spray sand black

标准配置 Standard configuration

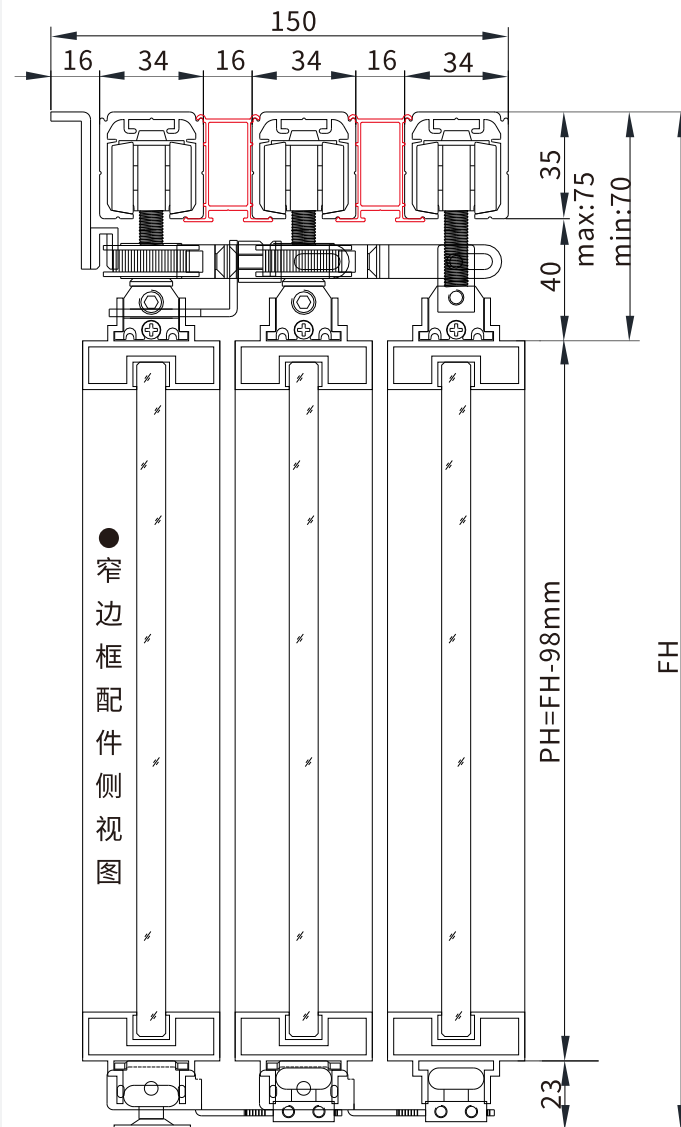
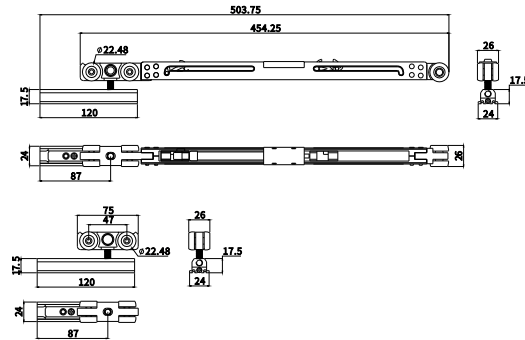
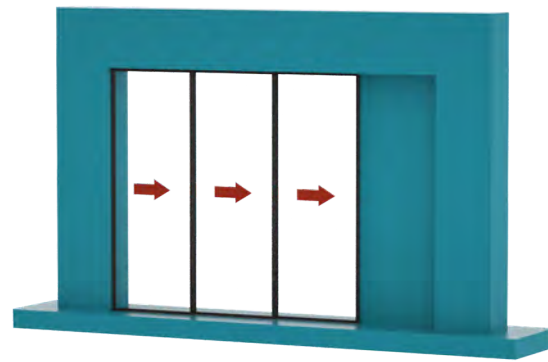


选配配件 Optional accessories



产品参数 Product parameters

产品型号 Item NO.	承重(KG) Capacity	适用厚度(MM) Door thickness	门高公式(PH) Door height formula	门扇宽度(MM) Door width
HL-086-04	60	30-45	FH-98	635-1200



HL-086-05 两门同步同向联动阻尼滑轮

Synchronized soft close sliding system for 2 doors

功能特性 Features

- 适用于同步同向开启双扇平移门
Synchronized Syntropy sliding system for double doors.
- 适用于家庭、酒店、写字楼等场所使用的缓冲平移门
Suitable for sliding doors for families, hotels, office buildings, etc.
- 节省空间, 装饰性好
Space saving, good decoration

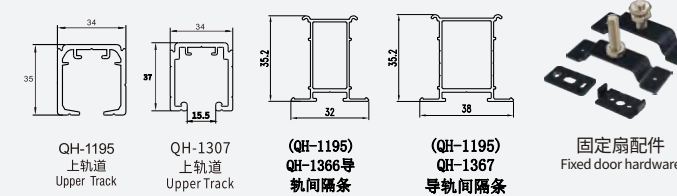
材质及表面处理 Materials and finishes

- 导轨: 铝合金, 阳极氧化
Sliding track: Aluminum, Anodized
- 吊轮: 锌合金, 砂镍
Hanging roller: Zinc alloy, SN
- 吊码: 铝合金, 氧化哑黑
Bracket: Aluminum, spray sand black

标准配置 Standard configuration

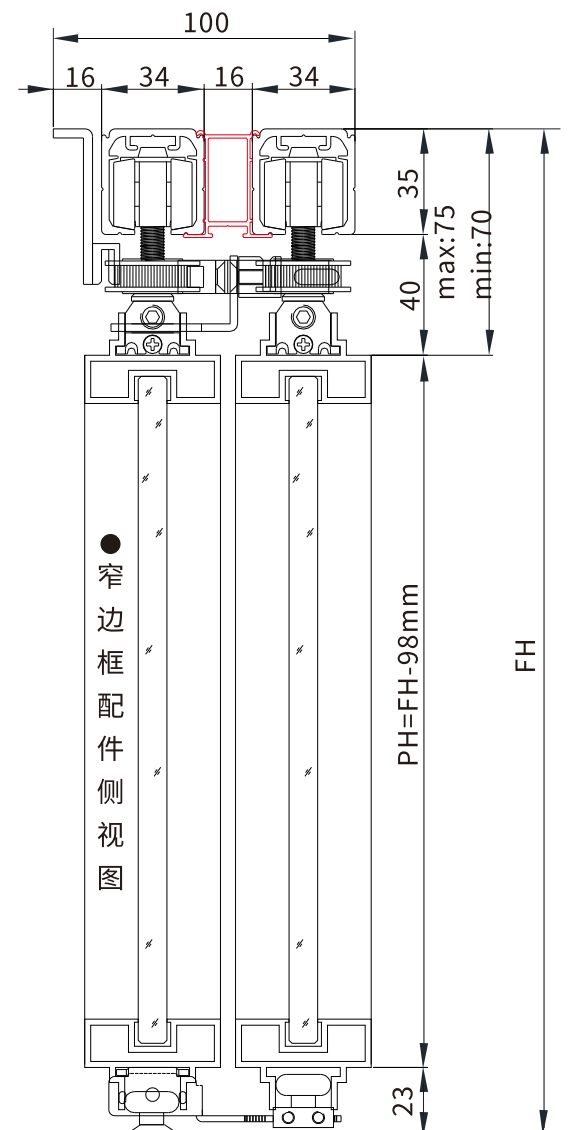
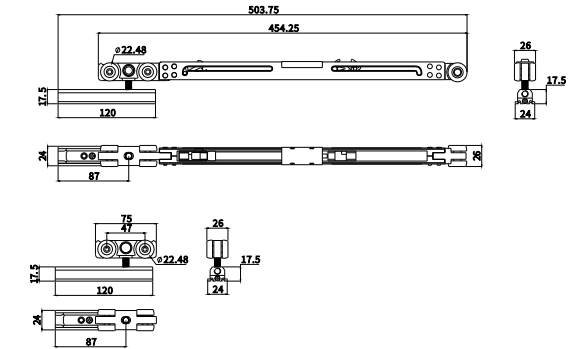
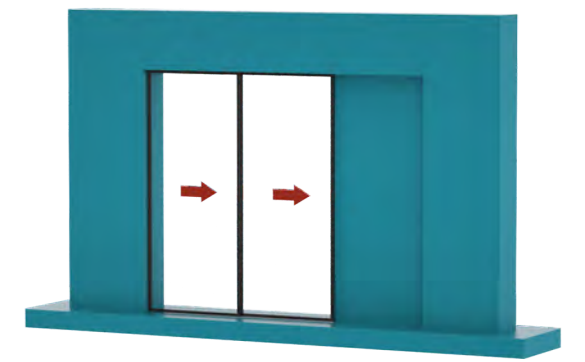


选配配件 Optional accessories



产品参数 Product parameters

产品型号 Item NO.	承重(KG) Capacity	适用厚度(MM) Door thickness	门高公式(PH) Door height formula	门扇宽度(MM) Door width
HL-086-05	60	30-45	FH-98	635-1200



HL-086-06 两门同步反向联动阻尼滑轮

Synchronized inversion soft close sliding double door system

功能特性 Features

- 适用于双扇平移门,同步反向开启双扇平移门
For double leaf sliding doors, Synchronized inversion sliding system for double door.
- 适用于家庭、酒店、写字楼等场所使用的缓冲平移门
Suitable for sliding doors for families, hotels, office buildings, etc.
- 节省空间,装饰性好
Space saving, good decoration

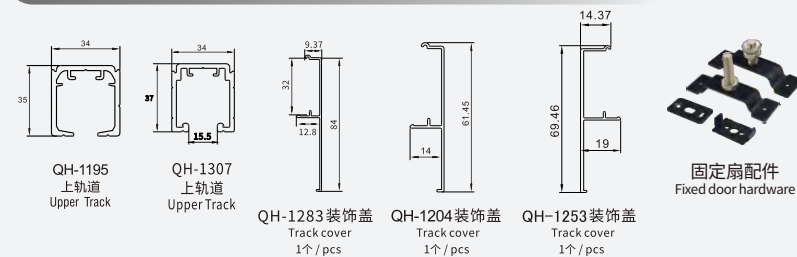
材质及表面处理 Materials and finishes

- 导轨:铝合金,阳极氧化
Sliding track: Aluminum, Anodized
- 吊轮:锌合金,砂镍
Hanging roller: Zinc alloy, Ni
- 吊码:铝合金,氧化哑黑
Bracket: Aluminum, spray sand black

标准配置 Standard configuration



选配配件 Optional accessories



产品参数 Product parameters

产品型号 Item NO.	承重(KG) Capacity	适用厚度(MM) Door thickness	门高公式(PH) Door height formula	门扇宽度(MM) Door width
HL-086-06	60	30-45	FH-87	680-1000

HL-089G-01 三门同步同向联动阻尼滑轮

Synchronized soft close sliding system for 3 doors

功能特性 Features

- 适用于同步同向开启三扇平移门
Synchronized Syntropy sliding system for three doors
- 适用于家庭、酒店、写字楼等场所使用的缓冲平移门
Suitable for sliding doors for families, hotels, office buildings, etc.
- 节省空间,装饰性好
Space saving, good decoration

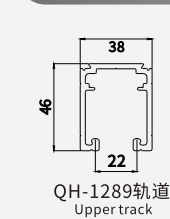
材质及表面处理 Materials and finishes

- 导轨:铝合金,阳极氧化
Sliding track: Aluminum, Anodized
- 吊轮:锌合金,珍珠铬
Hanging roller: Zinc alloy, PC
- 玻璃夹:铝合金,氧化砂黑
Glass clamp: Aluminum, spray sand black

标准配置 Standard configuration

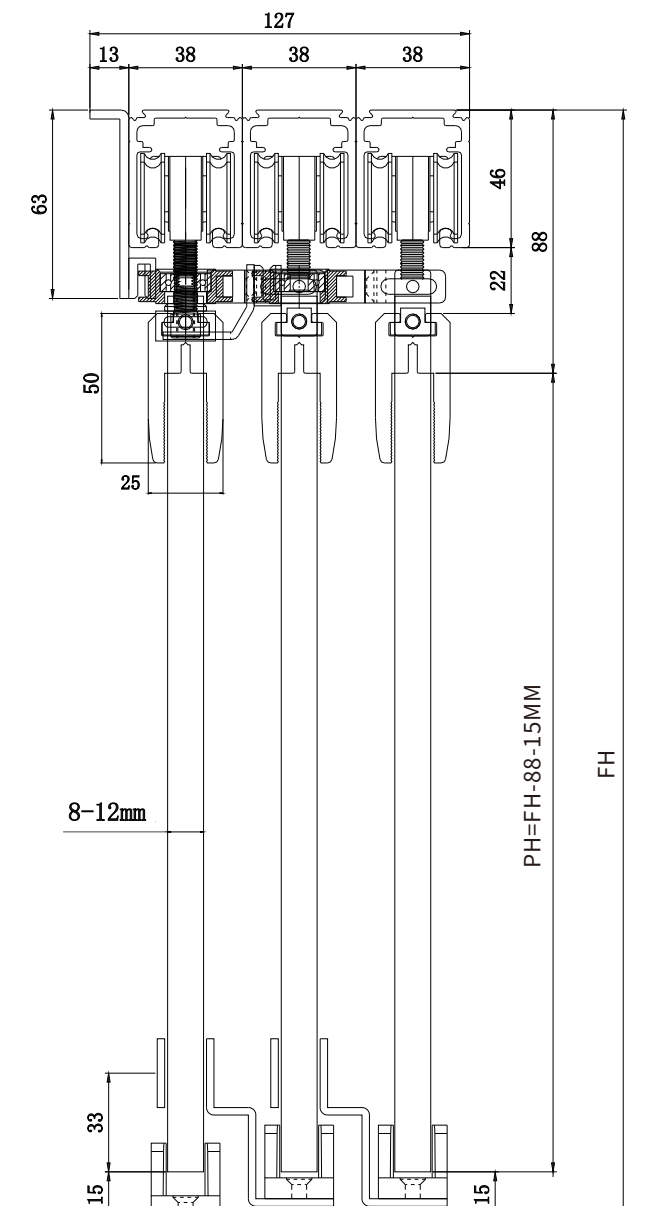
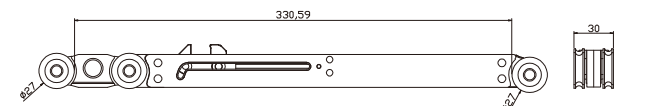
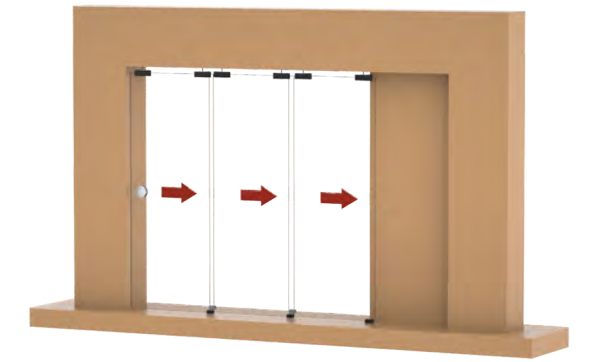
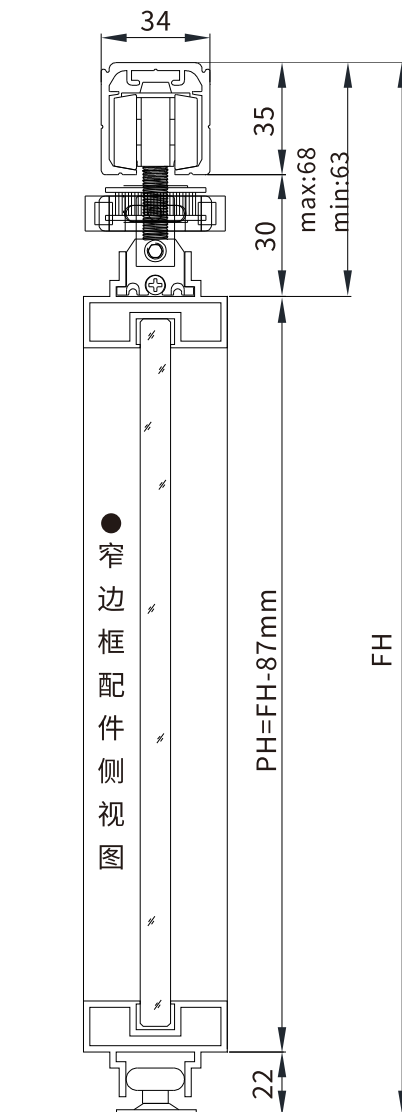
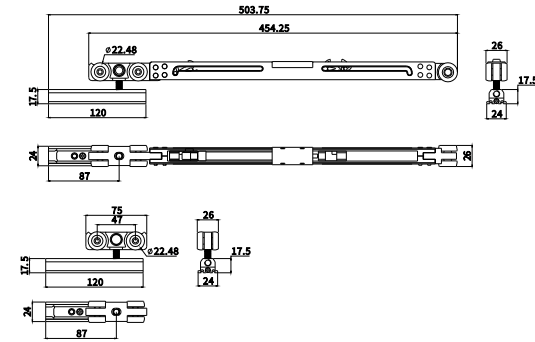
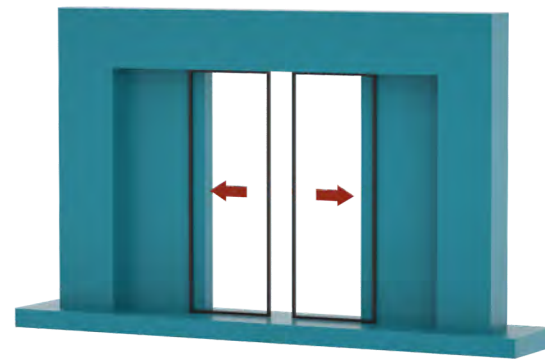


选配配件 Optional accessories



产品参数 Product parameters

产品型号 Item NO.	承重(KG) Capacity	适用厚度(MM) Door thickness	门高公式(PH) Door height formula	门扇宽度(MM) Door width
HL-102-01	80	8~12	H1-89	650-1200



HL-089G-02 两门同步同向联动阻尼滑轮

Synchronized soft close sliding system for 2 doors

功能特性 Features

- 适用于同步同向开启双扇平移门
Synchronzide Syntropy sliding system for double doors
- 适用于家庭、酒店、写字楼等场所使用的缓冲平移门
Suitable for sliding doors for families, hotels, office buildings, etc.
- 节省空间,装饰性好
Space saving, good decoration

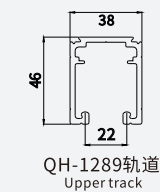
材质及表面处理 Materials and finishes

- 导轨:铝合金,阳极氧化
Sliding track: Aluminum, Anodized
- 吊轮:锌合金,珍珠铬
Hanging roller: Zinc alloy, PC
- 玻璃夹:铝合金,氧化砂黑
Glass clamp: Aluminum, spray sand black

标准配置 Standard configuration



选配配件 Optional accessories



产品参数 Product parameters

产品型号 Item NO.	承重(KG) Capacity	适用厚度(MM) Door thickness	门高公式(PH) Door height formula	门扇宽度(MM) Door width
HL-102-02	80	8~12	H1-89	650-1200

HL-089G-03 两门同步反向联动阻尼滑轮

Synchronized inversion soft close sliding double door system

功能特性 Features

- 适用于双扇平移门,同步反向开启双扇平移门
For double leaf sliding doors, Synchronized inversion sliding system for double door.
- 适用于家庭、酒店、写字楼等场所使用的缓冲平移门
Suitable for sliding doors for families, hotels, office buildings, etc.
- 节省空间,装饰性好
Space saving, good decoration

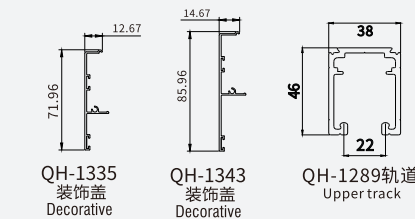
材质及表面处理 Materials and finishes

- 导轨:铝合金,阳极氧化
Sliding track: Aluminum, Anodized
- 吊轮:锌合金,珍珠铬
Hanging roller: Zinc alloy, PC
- 玻璃夹:铝合金,氧化砂黑
Glass clamp: Aluminum, spray sand black

标准配置 Standard configuration

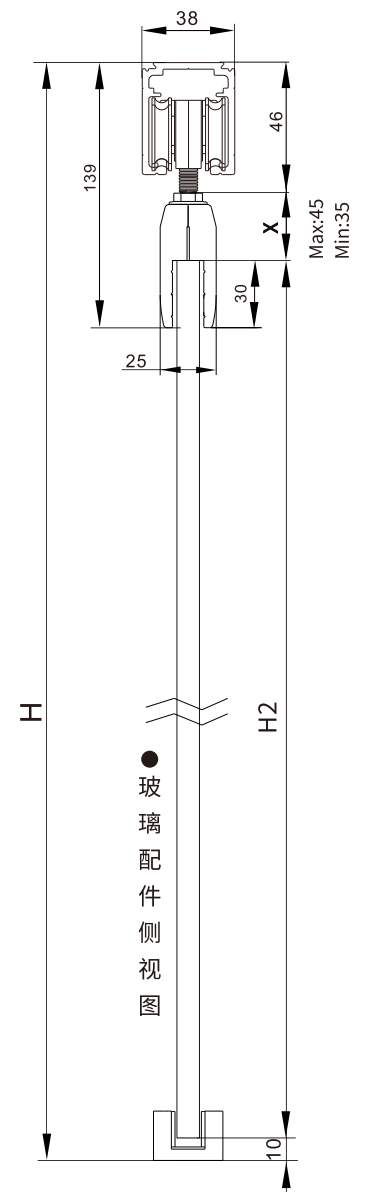
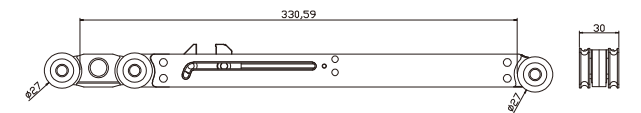
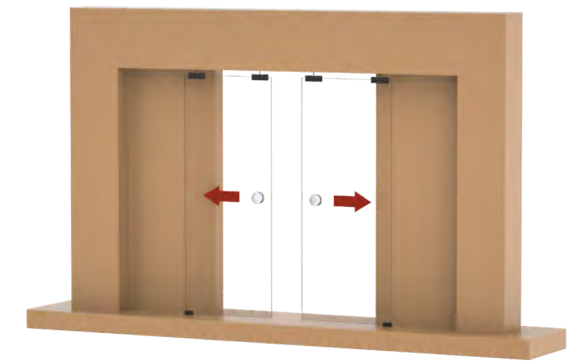
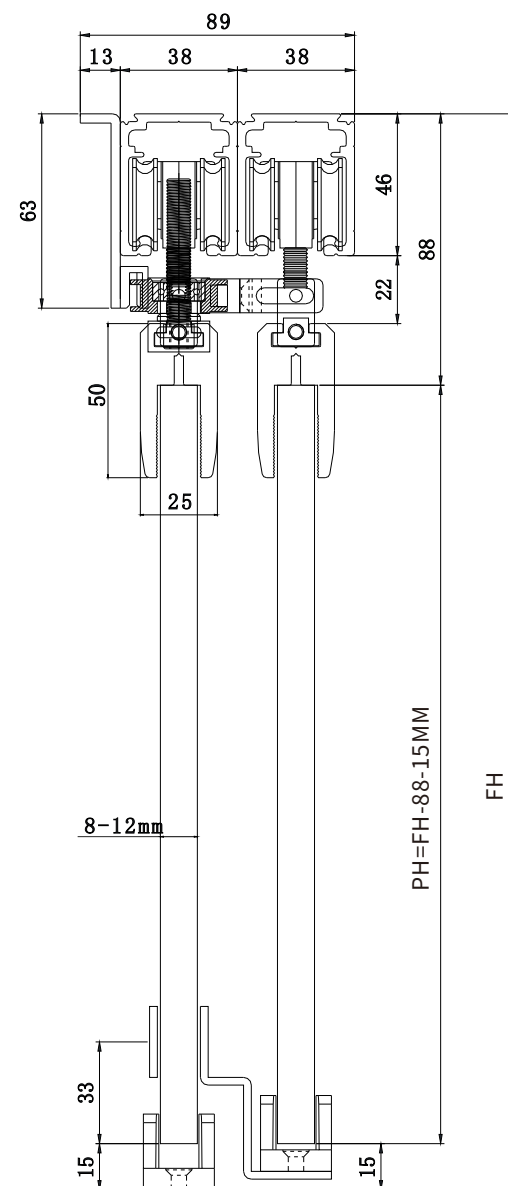
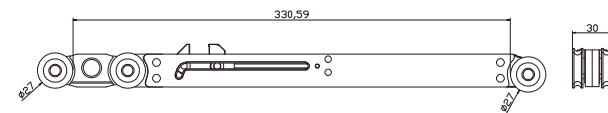
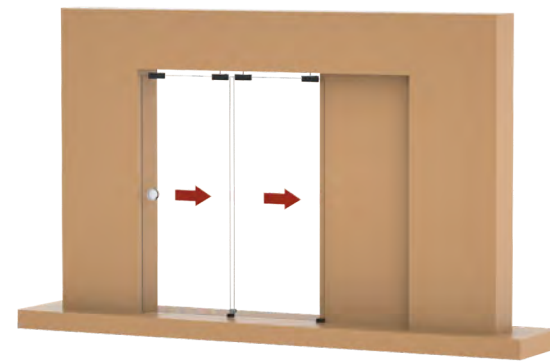


选配配件 Optional accessories



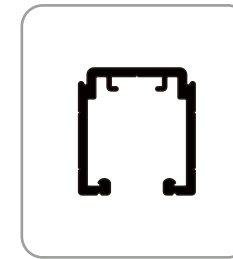
产品参数 Product parameters

产品型号 Item NO.	承重(KG) Capacity	适用厚度(MM) Door thickness	门高公式(PH) Door height formula	门扇宽度(MM) Door width
HL-102-03	80	8~12	H1-89	650-1000

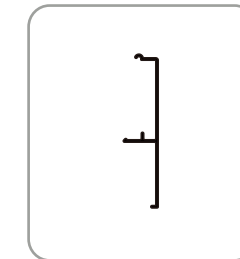


极窄移门配置方式

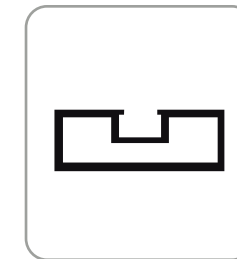
Slim Profile Sliding Door Configuration



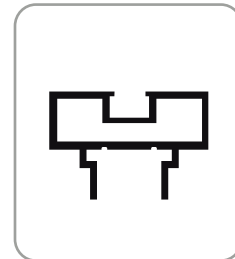
导轨型材
Sliding Upper Track



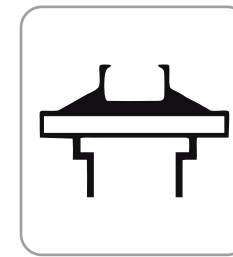
装饰盖
Decorative Cover



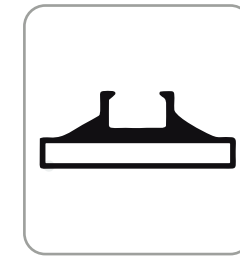
极窄光启型材
4516 Slim Vertical Profile Frame



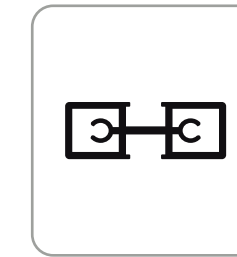
极窄上下框型材
4516 Slim Horizontal Profile Frame



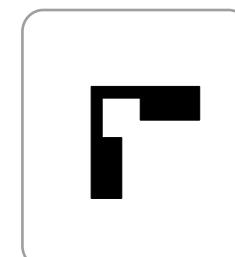
极窄上下框型材
4507 Slim Horizontal Profile Frame



极窄光启型材
4507 Slim Vertical Profile Frame



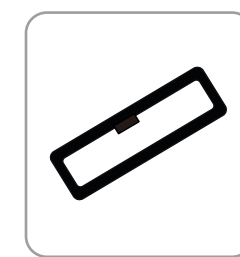
栅栏隔型材
4516 Partition Profile



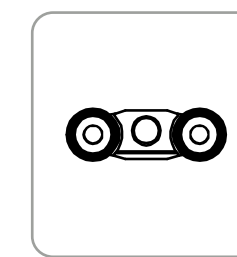
角码
Profile Connector



极窄固定门配件
Hanging Fittings For Fixed Door



移门拉手锁
Sliding Door Handle



吊轮
Hanging roller

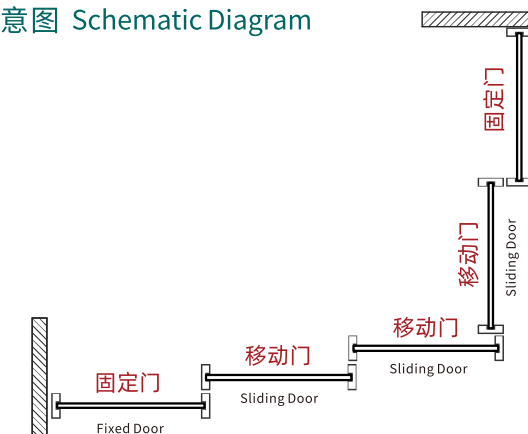
三门配置特点:

1. 两门联动,自由开启
2. 多种颜色,随心选择
3. 玻璃可选不同风格
4. 可选无缓冲/单向缓冲/双向缓冲

Three-door Cofiguration Features:

1. Inversion double door style with free opening
2. A variety of colors to choose from.
3. The glass can be selected in different styles.
4. Optional no buffer / one-way buffer / two-way buffer

示意图 Schematic Diagram





HL-ML08 磁悬浮智能幽灵门滑轮

Electromagnetic Invisible Sliding Door Roller

产品介绍 Product introduction

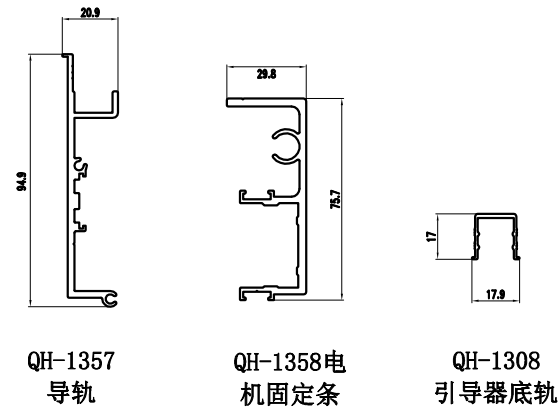
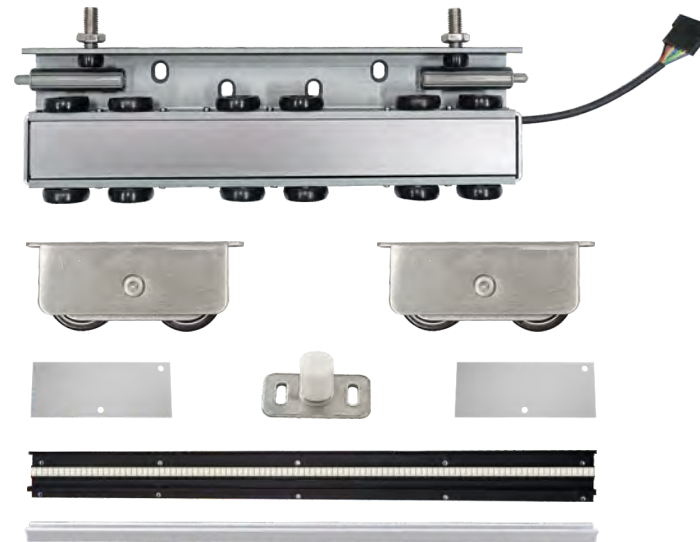
- ▶ 适用于单扇平移门
Suitable for single or multiple sliding doors
- ▶ 适用于家庭、酒店、写字楼等场所使用的平移门
Suitable for sliding doors for families, hotels, office buildings, etc.
- ▶ 无马达电磁驱动, APP后台设置, 自适应防夹保护装置, 断电工作模式,
No motor electromagnetic drive, APP background setting, device, power-off working mode,
Ce认证
CE certification
- ▶ 无线按钮开关, 指纹开关, 密码开关
Wireless button switch, fingerprint switch, password switch
- ▶ 磁悬浮幽灵门国家团体标准制定者
Maglev Ghost Gate national group standard setter

材质及表面处理 Materials and finishes

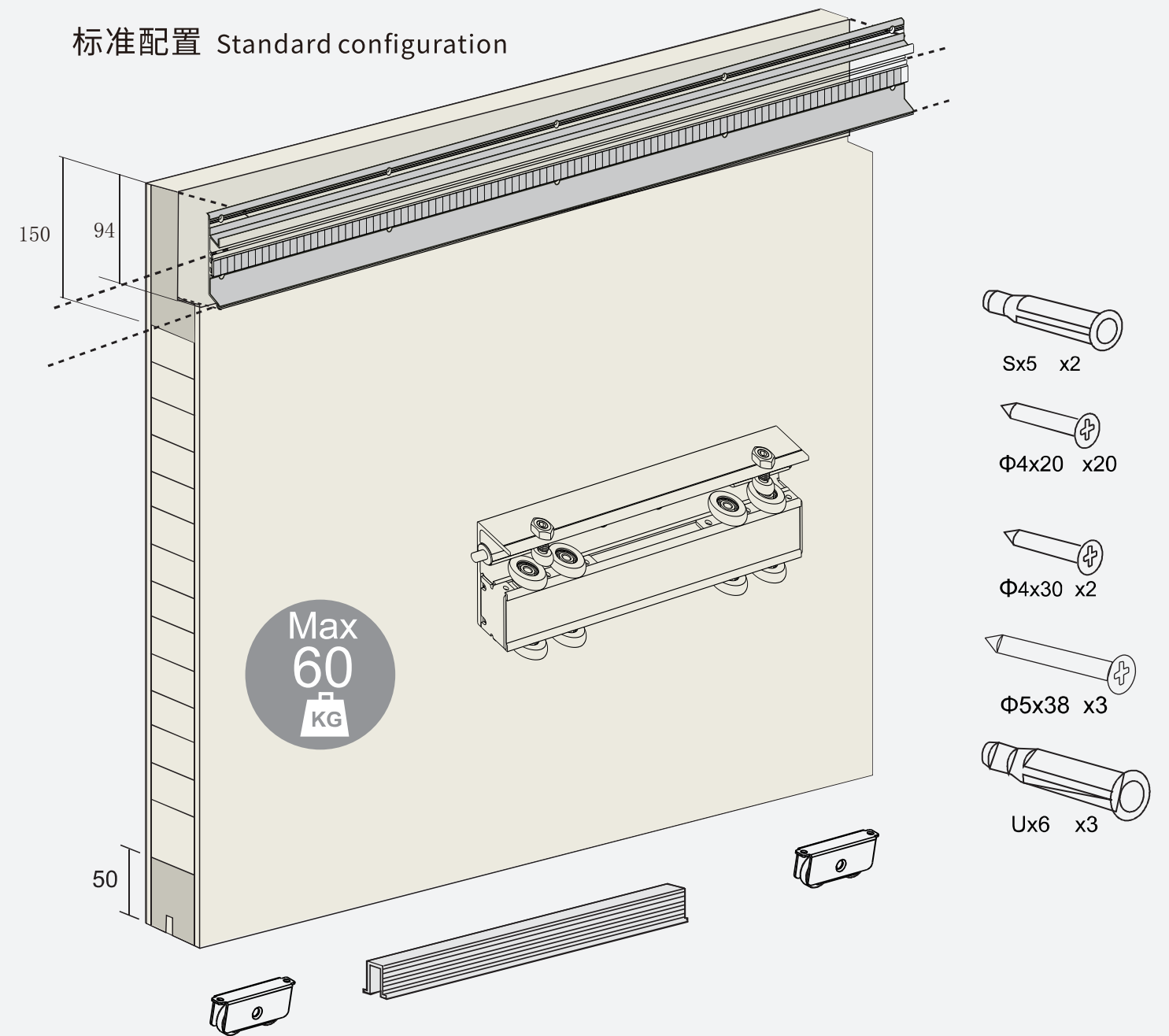
- ▶ 导轨: 铝合金, 阳极氧化
Sliding track: Aluminum, Anodized
- ▶ 吊轮: 锌合金, 沙镍
Hanging roller: Zinc alloy, SN

产品参数 Product parameters

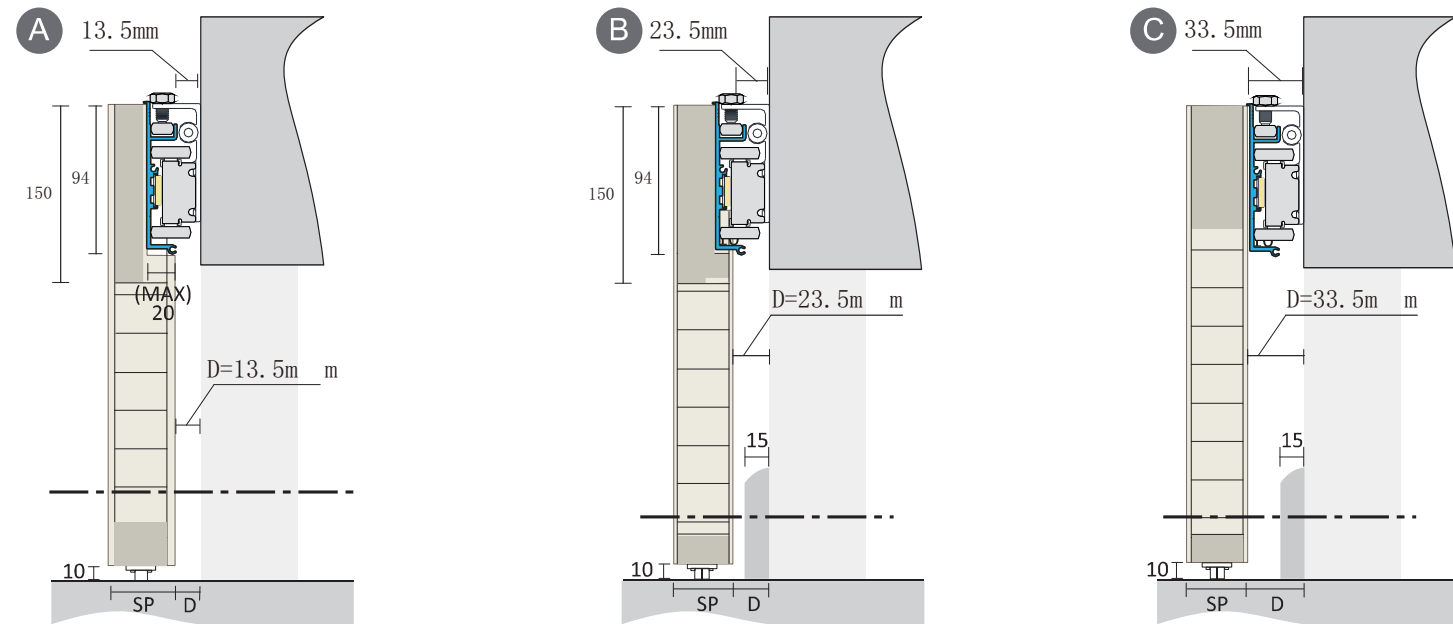
产品型号: HL-ML08
Item NO.
门厚= min 28mm-max 45mm
门宽= 950mm-1200mm



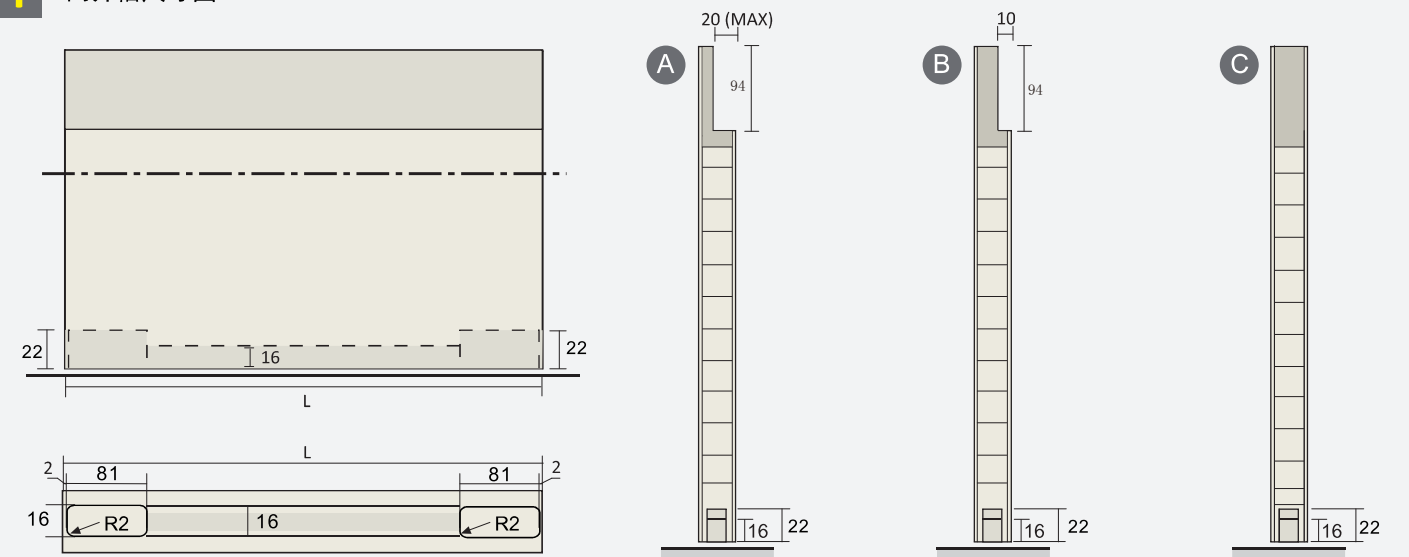
标准配置 Standard configuration



侧面门间隙尺寸图 门厚= min. 28mm~max. 45mm



门开槽尺寸图



HL-041 木门隐藏门阻尼滑轮

Concealed Sliding System For Wooden Doors

功能特性 Features

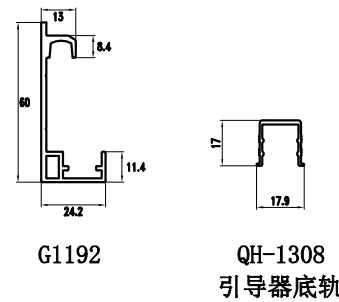
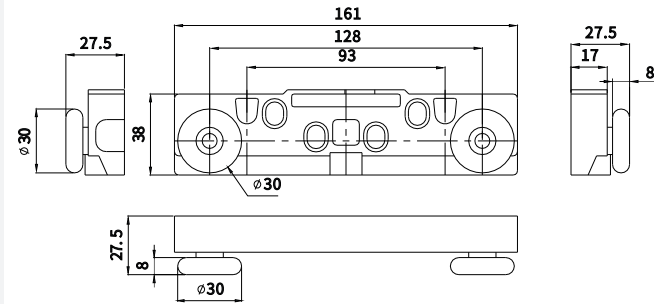
- 适用于单扇平移门
Suitable for single sliding doors
- 适用于家庭、酒店、写字楼等场所使用的缓冲平移门
Suitable for sliding doors for families, hotels, office buildings, etc.
- 受力均匀, 开关门双向缓冲
Double soft closing system for sliding door balance running
- 手动推拉、两边定位、高低调节
Manual push and pull positioning on both sides to achieve balance
- 安装方便、运行顺畅、使用寿命长
Easy installation, smooth operation, long service life

材质及表面处理 Materials and finishes

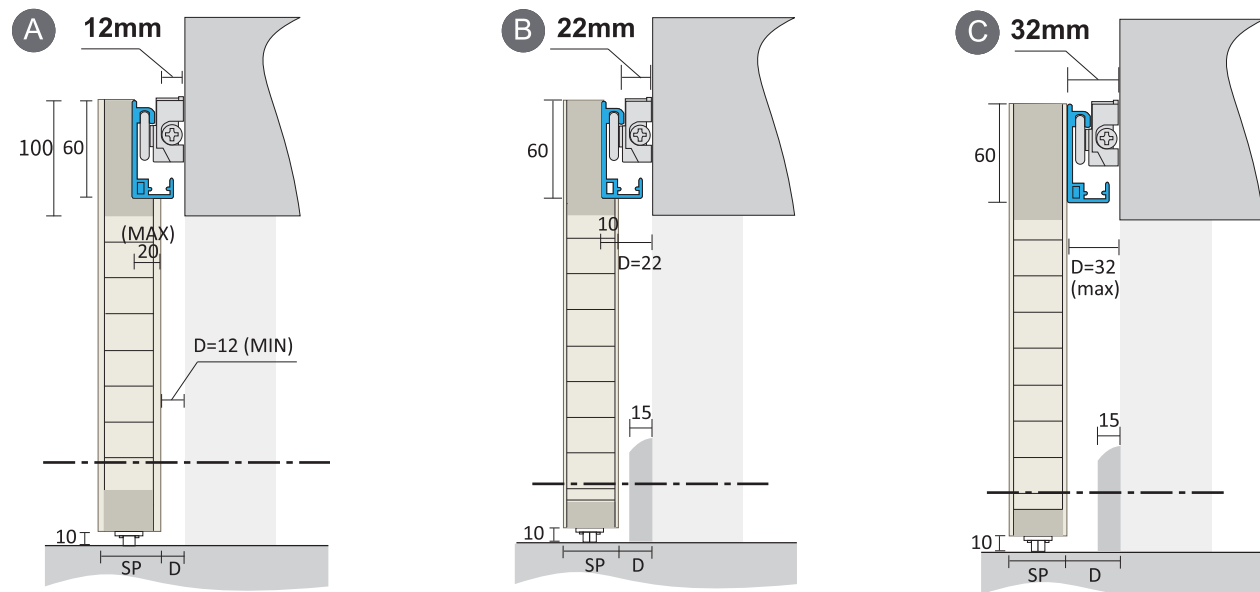
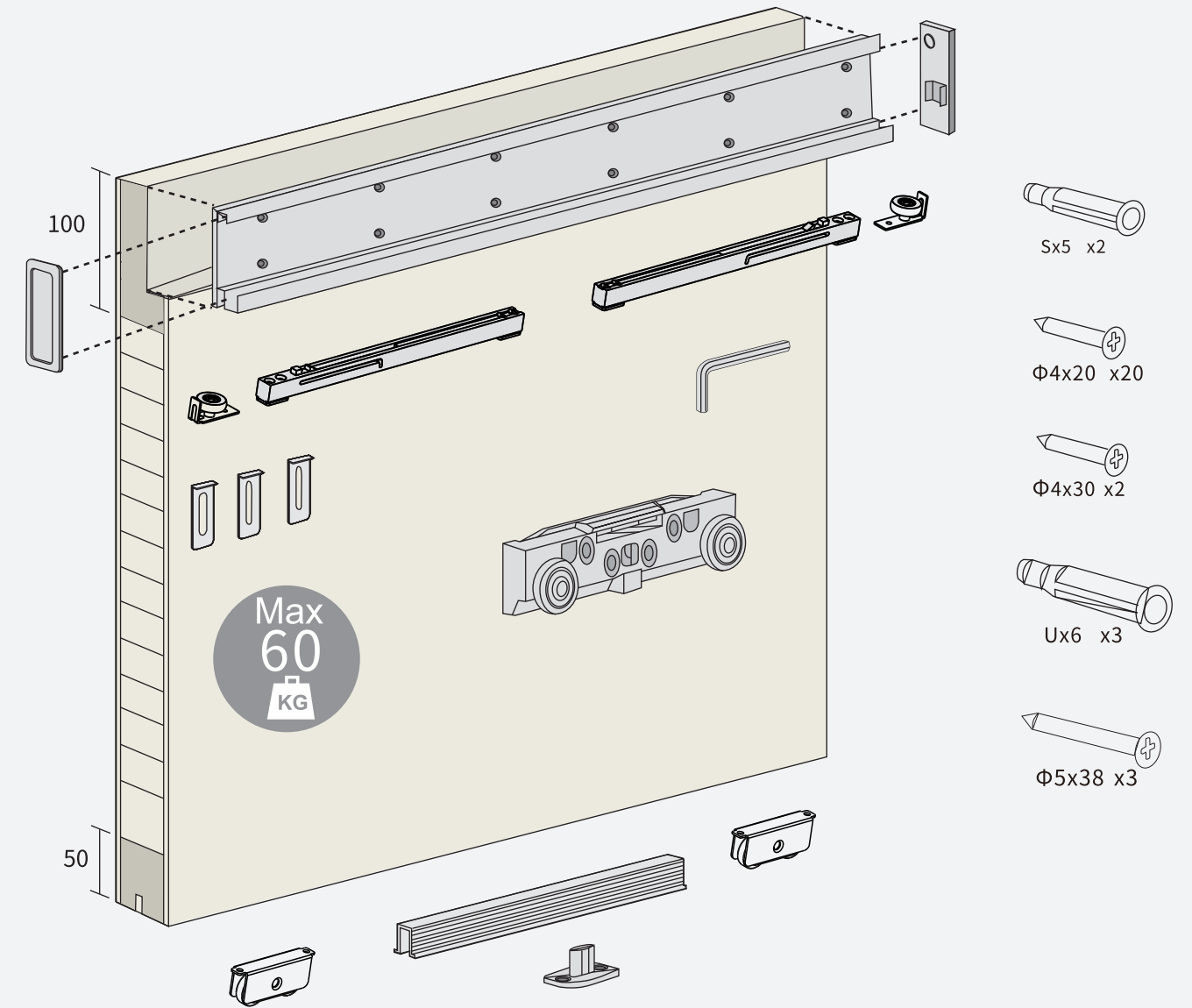
- 导轨: 铝合金, 阳极氧化
Sliding track: Aluminum, Anodized
- 吊轮: 锌合金, 砂镍
Hanging roller: Zinc alloy, SN

产品参数 Product parameters

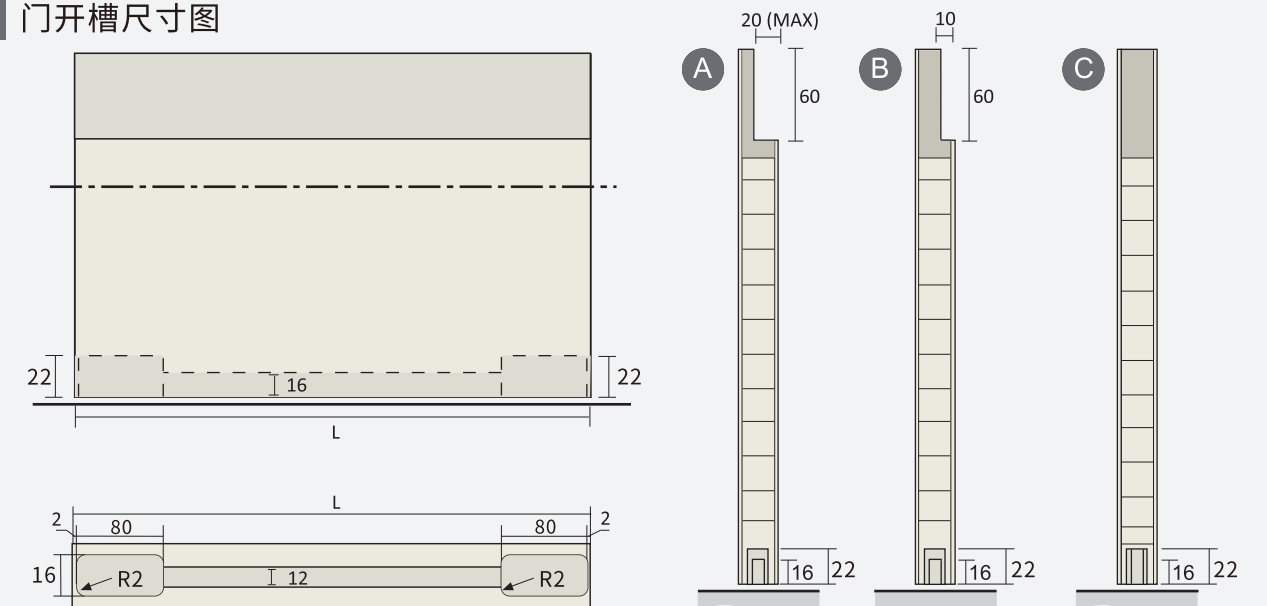
产品型号: HL-041
Item NO.
门厚=> 28mm
门宽=830-1200mm



标准配置 Standard configuration



门开槽尺寸图



HL-SC2106 边框隐藏门阻尼滑轮

Invisible Soft Close Framed Door Roller

功能特性 Features

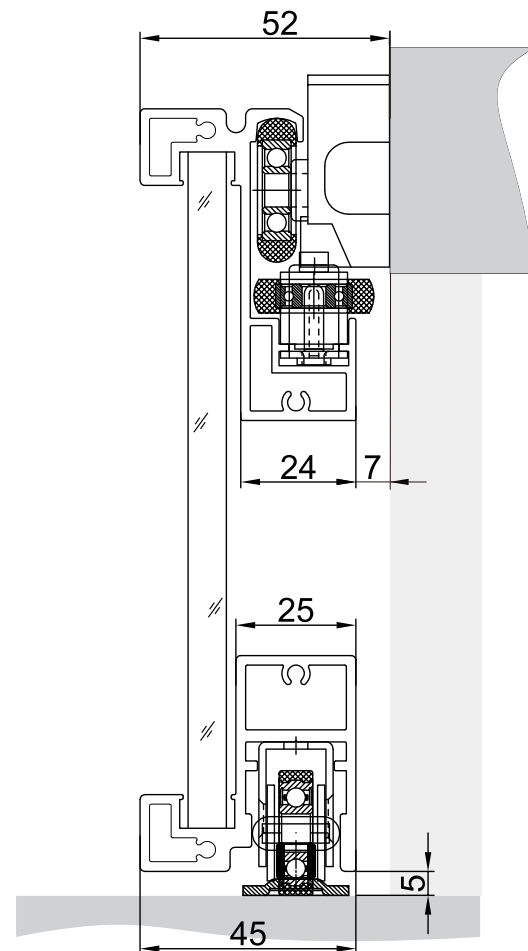
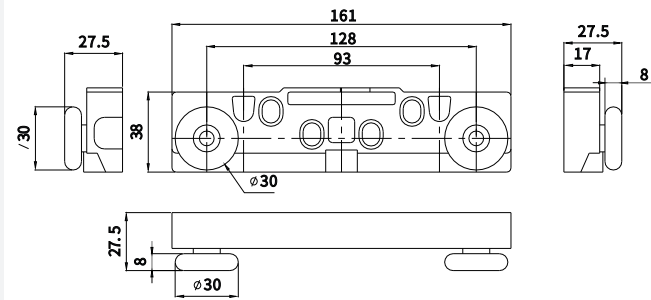
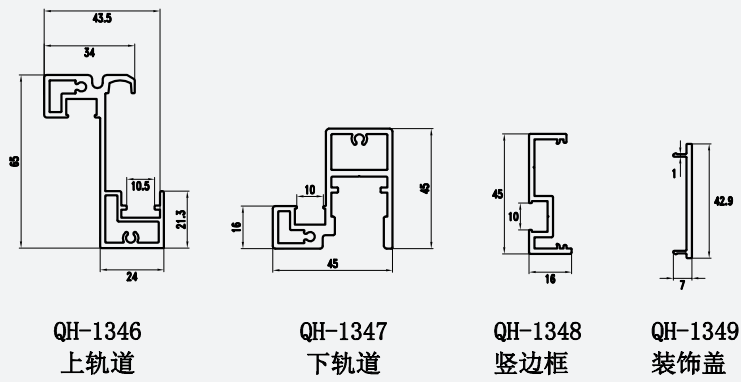
- 适用于单扇平移门
Suitable for single sliding doors
- 适用于家庭、酒店、写字楼等场所使用的缓冲平移门
Suitable for sliding doors for families, hotels, office buildings, etc.
- 受力均匀, 开关门双向缓冲
Double soft closing system for sliding door balance running
- 手动推拉、两边定位、高低调节
Manual push and pull positioning on both sides to achieve balance
- 安装方便、运行顺畅、使用寿命长
Easy installation, smooth operation, long service life

材质及表面处理 Materials and finishes

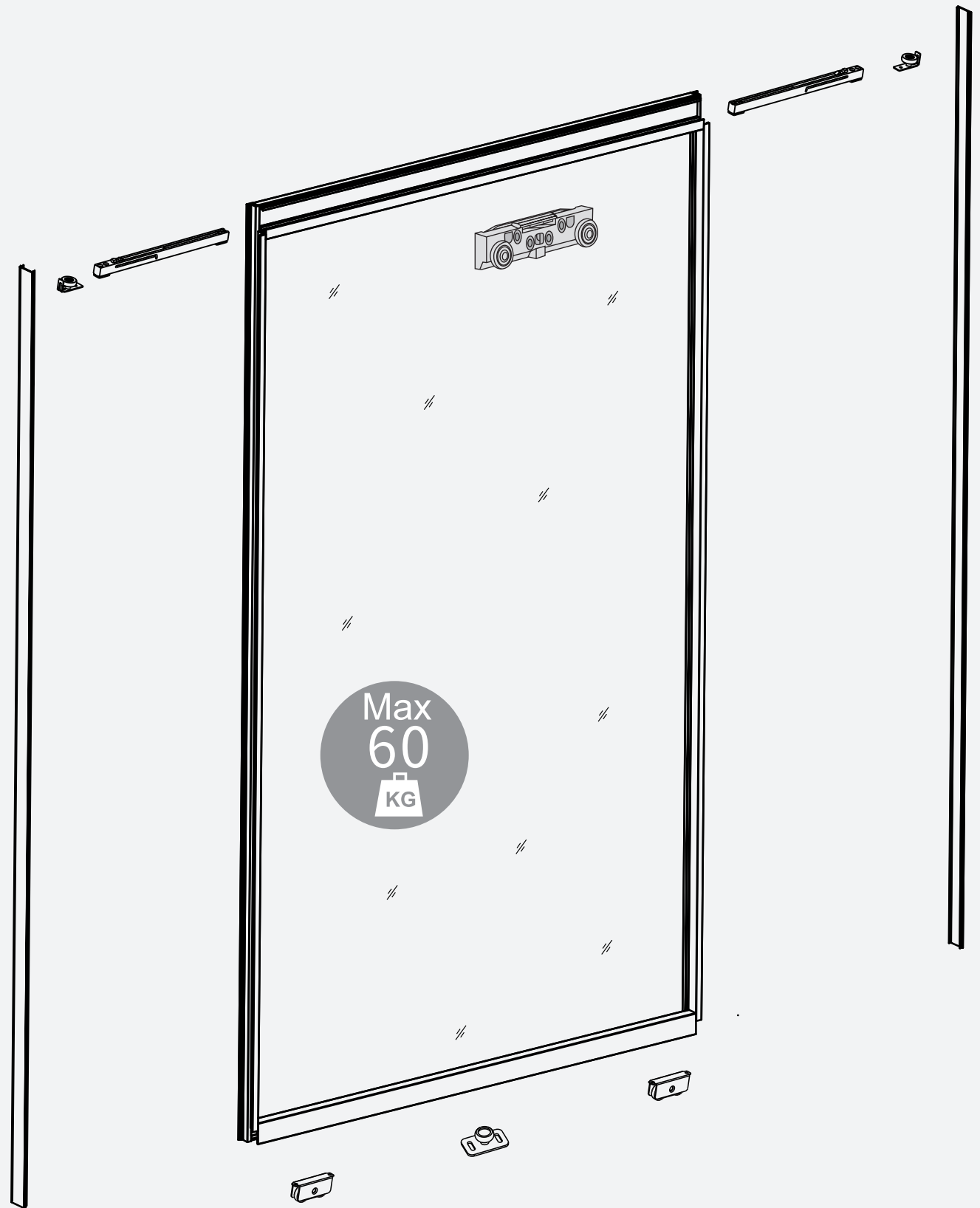
- 导轨: 铝合金, 阳极氧化
Sliding track: Aluminum, Anodized
- 吊轮: 锌合金, 砂镍
Hanging roller: Zinc alloy, SN

产品参数 Product parameters

产品型号: HL-SC2106
Item NO.
门厚=45mm
门宽=850-1200mm



标准配置 Standard configuration



HL-SC2108 边框隐藏门阻尼滑轮

Invisible Soft Close Framed Door Roller

功能特性 Features

- 适用于单扇平移门
Suitable for single sliding doors
- 适用于家庭、酒店、写字楼等场所使用的缓冲平移门
Suitable for sliding doors for families, hotels, office buildings, etc.
- 受力均匀, 开关门双向缓冲
Double soft closing system for sliding door balance running
- 手动推拉、两边定位、高低调节
Manual push and pull positioning on both sides to achieve balance
- 安装方便、运行顺畅、使用寿命长
Easy installation, smooth operation, long service life

材质及表面处理 Materials and finishes

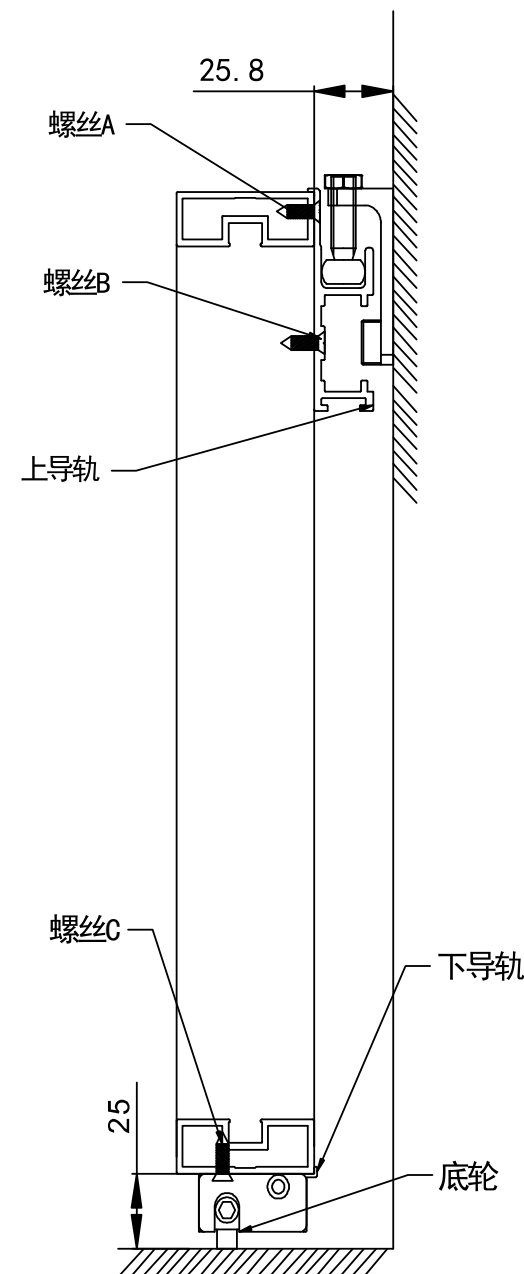
- 导轨: 铝合金, 阳极氧化
Sliding track: Aluminum, Anodized
- 吊轮: 铝合金, 砂镍
Hanging roller: Aluminum, SN

产品参数 Product parameters

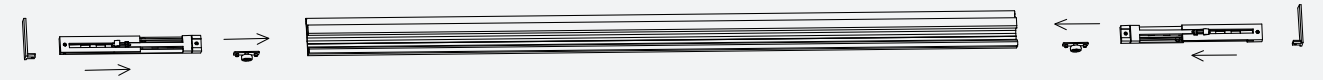
产品型号: HL-SC2108
Item NO.

- 门高=门洞高+50mm
- 门宽=门洞宽+72mm
- 下导轨长=门宽-3mm
- 上导轨长=门宽-6mm

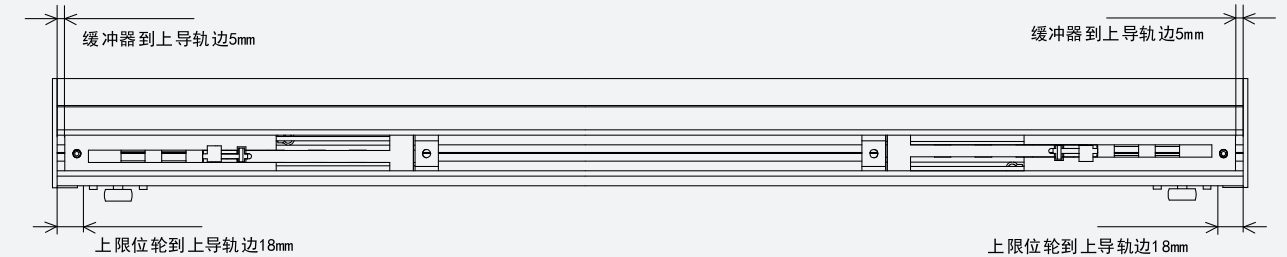
产品型号 Item NO.	承重(KG) Capacity	适用厚度(MM) Door thickness	门扇宽度(MM) Door width
HL-SC2108	≤60	35-45	500-1200



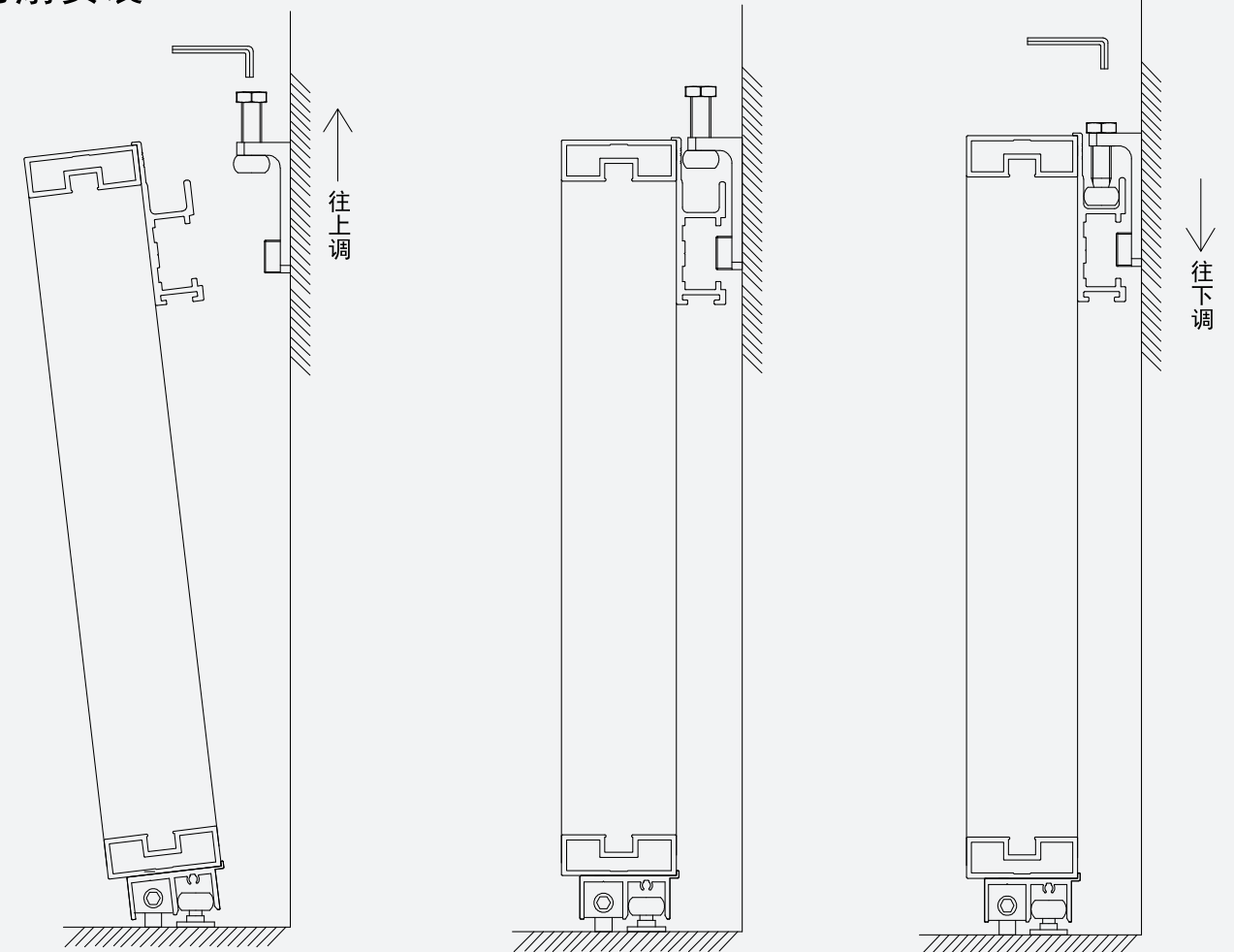
安装说明:



- 将缓冲器的拨块推到中卡位处卡住。
- 然后将缓冲器和上限位轮分别从上导轨两端推入槽内并用将紧定螺钉拧紧。
- 随后将上导轨装饰盖分别从上导轨的两端推入槽内并用将装饰盖上的紧定螺钉拧紧。



门扇安装:



- 按门扇安装尺寸先将引导器安装固定好, 随后用六角扳手将上导轮往上调至最大尺寸. 将门下导轨斜着插入引导器, 并将门慢慢竖起。
- 门竖起后使门上导轨的导轮槽对准上导轮。
- 用六角扳手将上导轮往下调至合适位置, 并用开口扳手将六角螺母拧紧。
- 当地面不平整离地间隙太小时, 可以用六角扳手从下导轨装饰盖开口处旋转底轮的内六角螺丝来调节门扇与离地间隙, 底轮可进行4mm的高度调节。
- 扇门安装并调试好后, 推动门扇往复运动几次无异常问题并运动流畅。安装完毕。



HL-SC2101 液压式单杆单向阻尼滑轮

Hydraulic one-way soft close sliding door roller

材质及表面处理

Materials and finishes

- ▶ 导轨: 铝合金, 阳极氧化
Sliding track: Aluminum, Anodized
- ▶ 吊轮: 尼龙
Hanging roller: PA66
- ▶ 吊码: 铁, 镍
Bracket: Iron, SN
- ▶ 插片: 铜, 砂镍
Insert: Brass, SN
- ▶ 窄边吊码: 铝合金
Bracket: Aluminum
- ▶ 玻璃夹: 铝合金
Glass clamp: Aluminum

产品参数

Product parameters

产品型号 Item NO.	HL-SC2101-01 吊码 Bracket	HL-SC2101-02 插片 Insert	HL-SC2101-03 玻璃夹 Glass clamp	HL-SC2101-04 窄边吊码 Bracket	HL-SC2101-05 快装吊码 Bracket	HL-SC2101-06 平装插片 Insert
承重(KG) MAX Capacity	80	80	80	80	80	80
适用厚度(mm) Door thickness	≥25	≥30	8-10	45	≥20	≥25
门扇宽度(mm) Door width	≥520	≥525	≥520	≥550	≥520	≥550
门高公式(H2) Door height formula	H-37-X-10mm					

标准配置

Standard configuration



缓冲吊轮
Hanging roller
1个 / pcs

吊轮
Hanging roller
1个 / pcs

阻尼限位器
Triggers
1个 / pcs

选配配件

Optional accessories



吊码
Bracket
2个 / pcs

插片
Insert
2个 / pcs

窄边吊码
Bracket
2个 / pcs

玻璃夹
Glass clamp
2个 / pcs

平装插片
Insert
2个 / pcs

其他选配

Other options



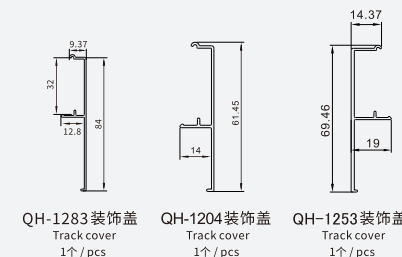
地导CG0483
Bottom guide
1个 / pcs

地导CG0895
Bottom guide
1个 / pcs

地导CG0169
Bottom guide
1个 / pcs

QH-1308
底轨
Upper track

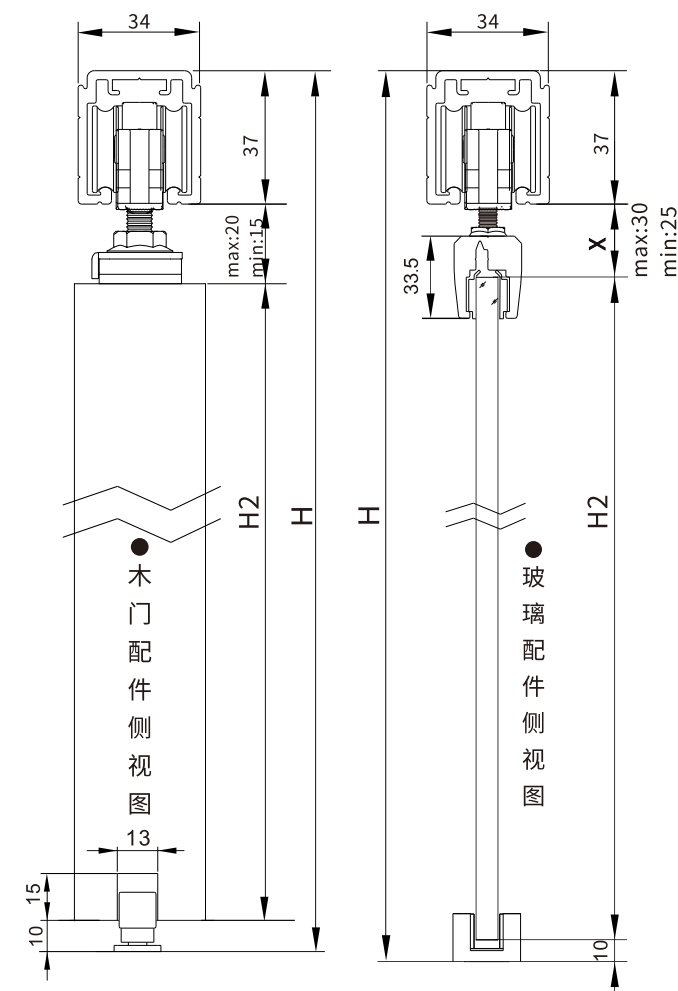
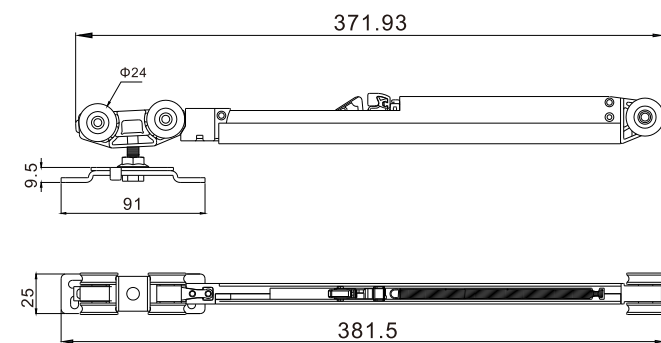
QH-1307
上轨道
Upper Track



QH-1283装饰盖
Track cover
1个 / pcs

QH-1204装饰盖
Track cover
1个 / pcs

QH-1253装饰盖
Track cover
1个 / pcs



HL-SC2105 液压式单杆双向阻尼滑轮

Hydraulic both-way soft close sliding door roller

材质及表面处理

Materials and finishes

- ▶ 导轨: 铝合金, 阳极氧化
Sliding track: Aluminum, Anodized
- ▶ 吊轮: 锌合金, 珍珠铬
Hanging roller: Zinc alloy, PC
- ▶ 吊码: 铁, 镍
Bracket: Iron, SN
- ▶ 插片: 铜, 砂镍
Insert: Brass, SN
- ▶ 窄边吊码: 铝合金
Bracket: Aluminum
- ▶ 玻璃夹: 铝合金
Glass clamp: Aluminum

产品参数

Product parameters

产品型号 Item NO.	HL-SC2105-01 吊码 Bracket	HL-SC2105-02 插片 Insert	HL-SC2105-07 玻璃夹 Glass clamp	HL-SC2105-08 窄边吊码 Bracket	HL-SC2105-10 平装插片 Insert
承重(KG) MAX Capacity	100	100	100	100	100
适用厚度(mm) Door thickness	≥25	≥30	6-12	45	≥25
门扇宽度(mm) Door width	≥535	≥570	≥560	≥600	≥600
门高公式(H2) Door height formula	H-46-X-10mm				

标准配置

Standard configuration



缓冲吊轮
Hanging roller
1个 / pcs

吊轮
Hanging roller
1个 / pcs

阻尼限位器
Triggers
2个 / pcs

选配配件

Optional accessories



吊码
Bracket
2个 / pcs

插片
Insert
2个 / pcs

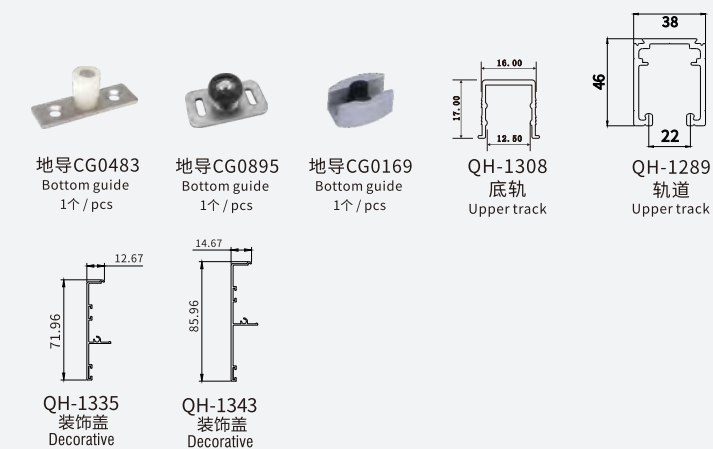
窄边吊码
Bracket
2个 / pcs

玻璃夹
Glass clamp
2个 / pcs

平装插片
Insert
2个 / pcs

其他选配

Other options



地导CG0483
Bottom guide
1个 / pcs

地导CG0895
Bottom guide
1个 / pcs

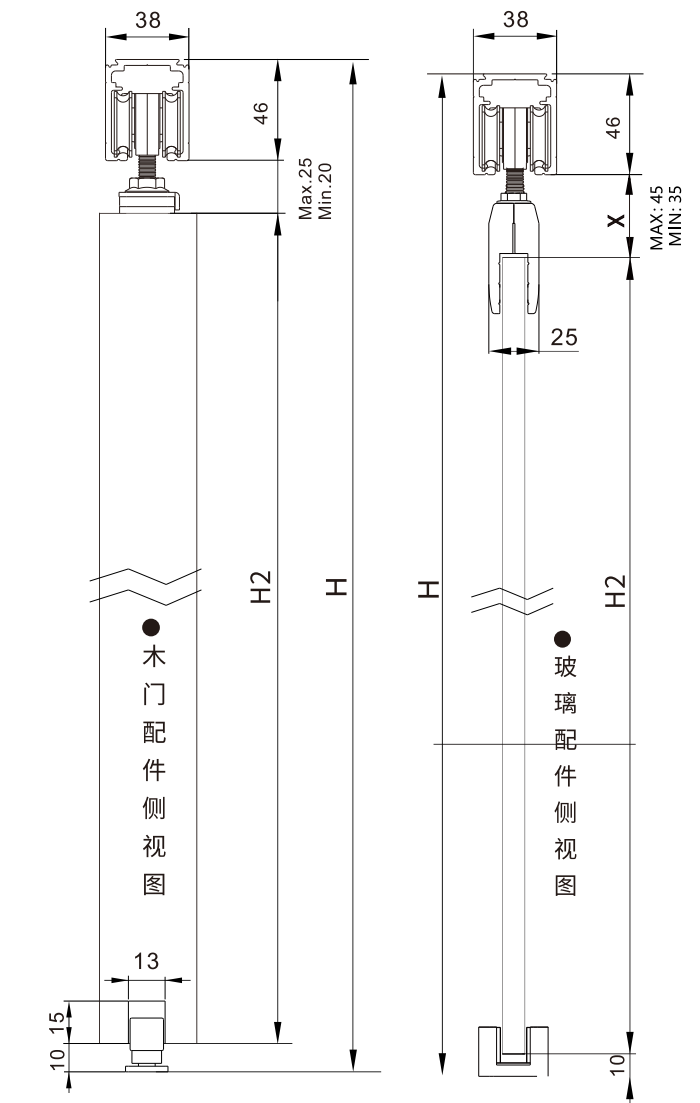
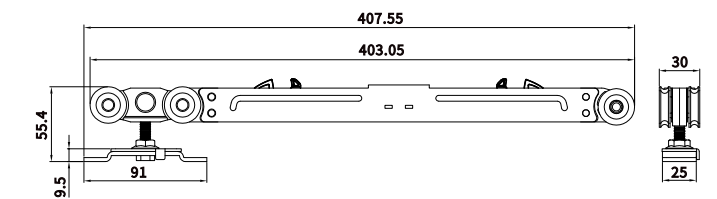
地导CG0169
Bottom guide
1个 / pcs

QH-1308
底轨
Upper track

QH-1289
轨道
Upper track

QH-1335
装饰盖
Decorative

QH-1343
装饰盖
Decorative



HL-084 液压式单杆双向阻尼滑轮

Hydraulic both-way soft close sliding door roller

材质及表面处理 Materials and finishes

- ▶ 导轨: 铝合金, 阳极氧化
Sliding track: Aluminum, Anodized
- ▶ 吊轮: 锌合金, 珍珠铬
Hanging roller: Zinc alloy, PC
- ▶ 吊码: 铁, 镍
Bracket: Iron, SN
- ▶ 插片: 铜, 砂镍
Insert: Brass, SN
- ▶ 窄边吊码: 铝合金
Bracket: Aluminum
- ▶ 玻璃夹: 铝合金, 阳极氧化喷砂
Glass clamp: Aluminum, Anodized blasting

产品参数 Product parameters

产品型号 Item NO.	HL-084-01 吊码 Bracket	HL-084-02 插片 Insert	HL-084-03 玻璃夹 Glass clamp	HL-084-07 窄边吊码 Insert	HL-084-09 快装吊码 Insert	HL-084-10 平装插片 Insert
承重(KG) MAX Capacity	80	80	80	80	80	80
适用厚度(mm) Door thickness	≥25	≥30	8-10	45	≥20	≥25
门扇宽度(mm) Door width	≥550	≥604	≥600	≥635	≥610	≥635
门高公式(H2) Door height formula	H-35-X-10mm					

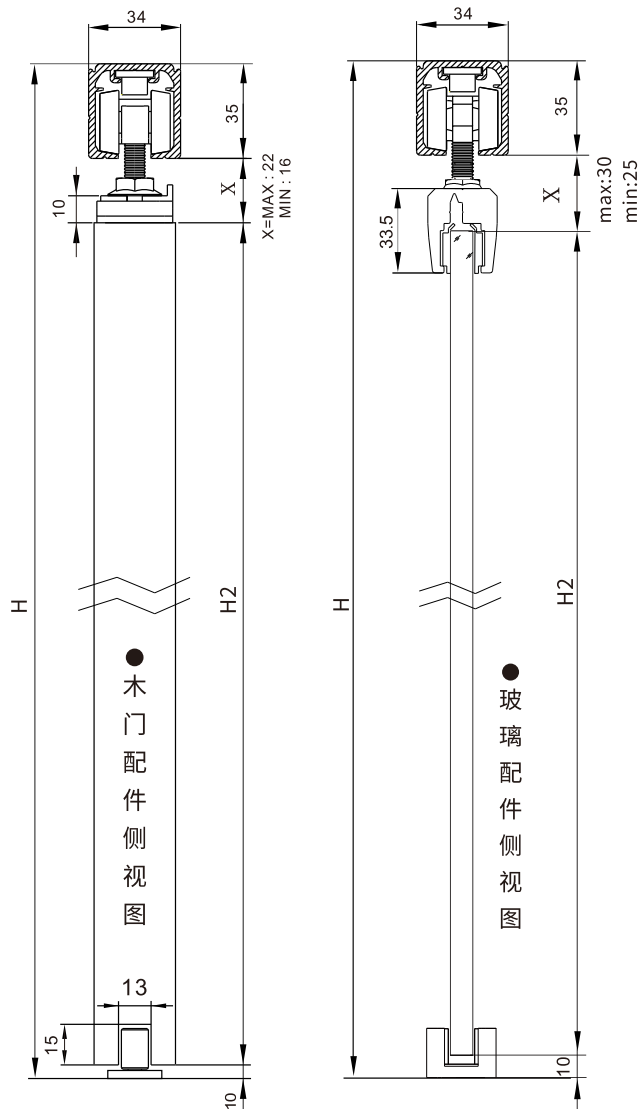
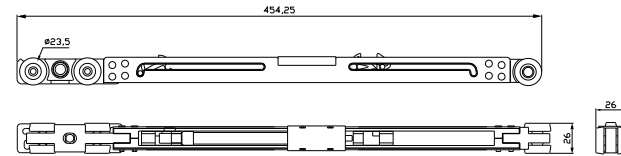
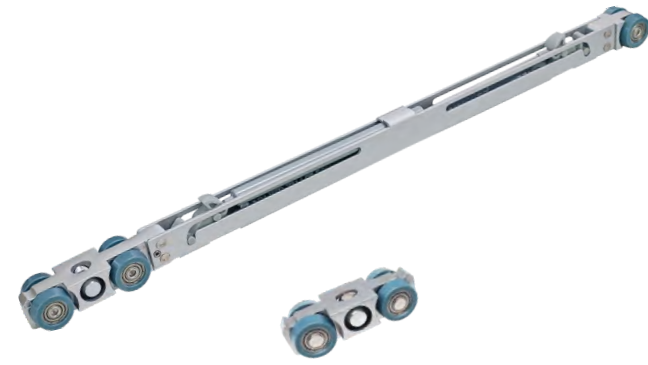
标准配置 Standard configuration



选配配件 Optional accessories



其他选配 Other options



HL-SC2109 旋转快拆双向阻尼滑轮

Hydraulic one-way soft close sliding door roller

产品介绍 Product Introduction

- ▶ 针对快拆系列场景全新研发的一款产品
A latest developed product for the quick dismantling series
- ▶ 拆装缓冲滑轮无需拆卸导轨, 简单快捷
Reasonable structure results in easy assembly and dismantling
- ▶ 产品结构独特新颖. 专利产品, 仿冒必究!
Product structure design is unique and novel. Patented products, counterfeits will be prosecuted!
- ▶ 超低轨道安装, 可做微缝处理
Ultra-low track installation, can be micro-slit treatment,
- ▶ 整体无外漏件, 安装后视觉效果极佳
Hidden accessories, excellent visual effect after installation
- ▶ 产品具有单杠双缓冲功能
Hydraulic both-way soft close function
- ▶ 现场施工简单快捷, 无需指导安装
Site construction is simple and quick, no need installation guidance

材质及表面处理 Materials and finishes

- ▶ 导轨: 铝合金, 阳极氧化
Sliding track: Aluminum, Anodized
- ▶ 吊轮: 尼龙
Hanging roller: PA66
- ▶ 窄边吊码: 铝合金
Bracket: Aluminum
- ▶ 插片: 铜, 砂镍
Insert: Brass, SN

产品参数 Product parameters

产品型号 Item NO.	HL-2109-01 吊码 Bracket	HL-2109-02 插片 Insert	HL-2109-03 玻璃夹 Glass clamp	HL-2109-04 窄边吊码 Bracket	HL-2109-05 快装吊码 Bracket	HL-2109-06 平装插片 Insert
承重(KG) MAX Capacity	80	80	80	80	80	80
适用厚度(mm) Door thickness	≥25	≥30	8-10	45	≥20	≥25
门扇宽度(mm) Door width	≥545	≥580	≥570	≥610	≥585	≥610
门高公式(H2) Door height formula	H-77mm					

选配配件 Optional accessories



其他选配 Other options



全款产品

敬请期待

HL-089 液压式单杆单向阻尼滑轮

Hydraulic one-way soft close sliding door roller

材质及表面处理

Materials and finishes

- ▶ 导轨: 铝合金, 阳极氧化
Sliding track: Aluminum, Anodized
- ▶ 吊轮: 锌合金, 珍珠铬
Hanging roller: Zinc alloy, PC
- ▶ 吊码: 铁, 镍
Bracket: Iron, SN
- ▶ 插片: 铜, 砂镍
Insert: Brass, SN
- ▶ 窄边吊码: 铝合金
Bracket: Aluminum
- ▶ 玻璃夹: 铝合金
Glass clamp: Aluminum

产品参数

Product parameters

产品型号 Item NO.	HL-089-03 吊码 Bracket	HL-089-04 插片 Insert	HL-089-05 玻璃夹 Glass clamp	HL-089-06 窄边吊码 Bracket	HL-089-09 平装插片 Insert
承重(KG) MAX Capacity	100	100	100	100	100
适用厚度(mm) Door thickness	≥25	≥30	6~12	45	≥25
门扇宽度(mm) Door width	≥515	≥550	≥540	≥580	≥580
门高公式(H2) Door height formula	H-46-X-10mm				

标准配置

Standard configuration



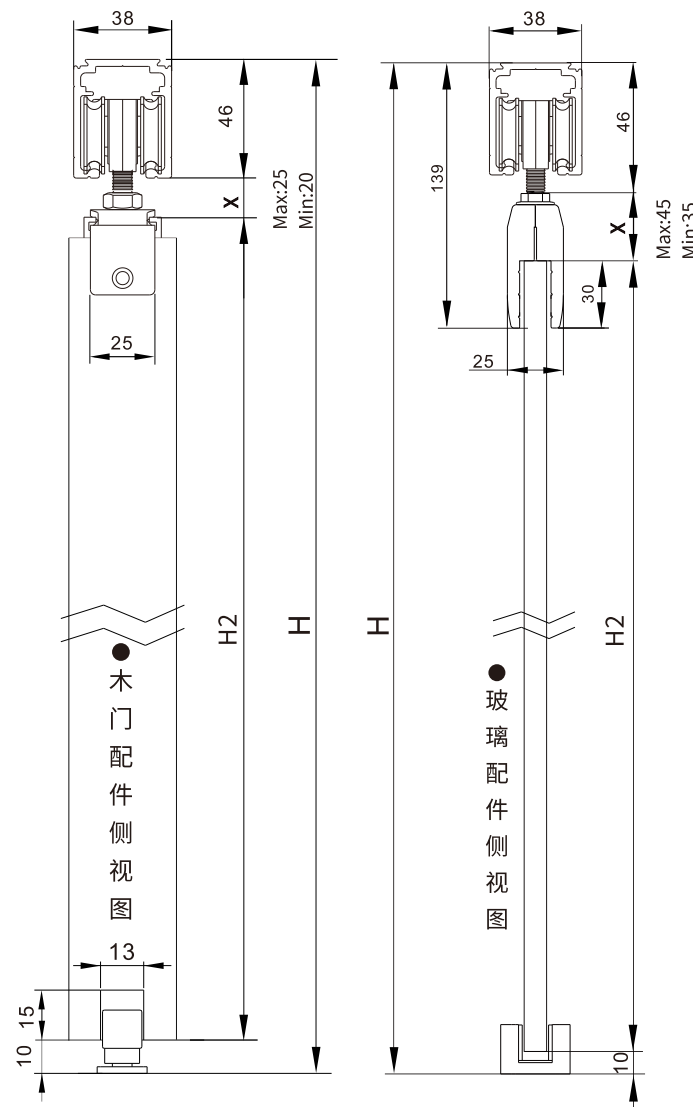
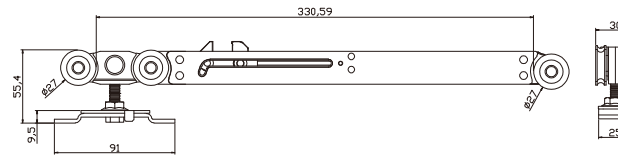
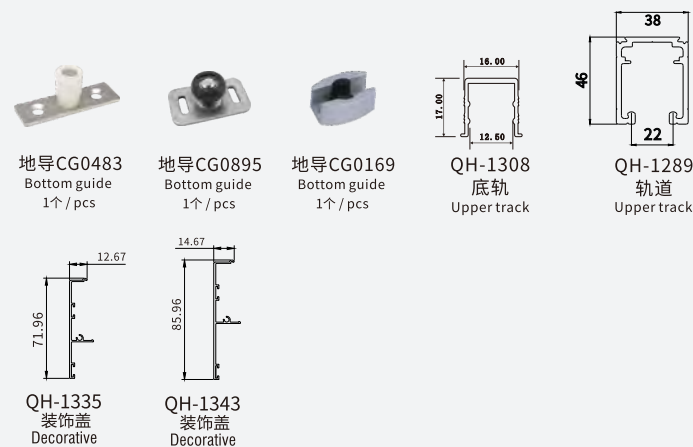
选配配件

Optional accessories



其他选配

Other options



HL-087 液压式单杆双向阻尼滑轮

Hydraulic both-way soft close sliding door roller

功能特性

Features

- ▶ 适用于单扇或多扇平移门
Suitable for single or multiple sliding doors
- ▶ 适用于家庭、酒店、写字楼等场所使用的缓冲平移门
Suitable for sliding doors for families, hotels, office buildings, etc.
- ▶ 受力均匀, 开关门双向缓冲
Double soft closing system for sliding door balance running
- ▶ 手动推拉、两边定位、高低调节
Manual push and pull positioning on both sides to achieve balance

材质及表面处理

Materials and finishes

- ▶ 导轨: 铝合金, 阳极氧化
Sliding track: Aluminum, Anodized
- ▶ 吊轮: 锌合金, 珍珠铬
Hanging roller: Zinc alloy, PC
- ▶ 吊码: 铁, 镍
Bracket: Iron, SN
- ▶ 插片: 铜, 砂镍
Insert: Brass, SN
- ▶ 窄边吊码: 铝合金
Bracket: Aluminum
- ▶ 玻璃夹: 铝合金
Glass clamp: Aluminum

产品参数

Product parameters

产品型号 Item NO.	HL-087-01 吊码 Bracket	HL-087-02 插片 Insert	HL-087-03 玻璃夹 Glass clamp	HL-087-04 窄边吊码 Bracket	HL-087-05 快装吊码 Bracket	HL-087-06 平装插片 Insert
承重(KG) MAX Capacity	60	60	60	60	60	60
适用厚度(mm) Door thickness	≥25	≥30	8~10	45	≥20	≥25
门扇宽度(mm) Door width	≥480	≥530	≥510	≥560	≥510	≥560
门高公式(H2) Door height formula	H-36.5-X-10mm					

标准配置

Standard configuration



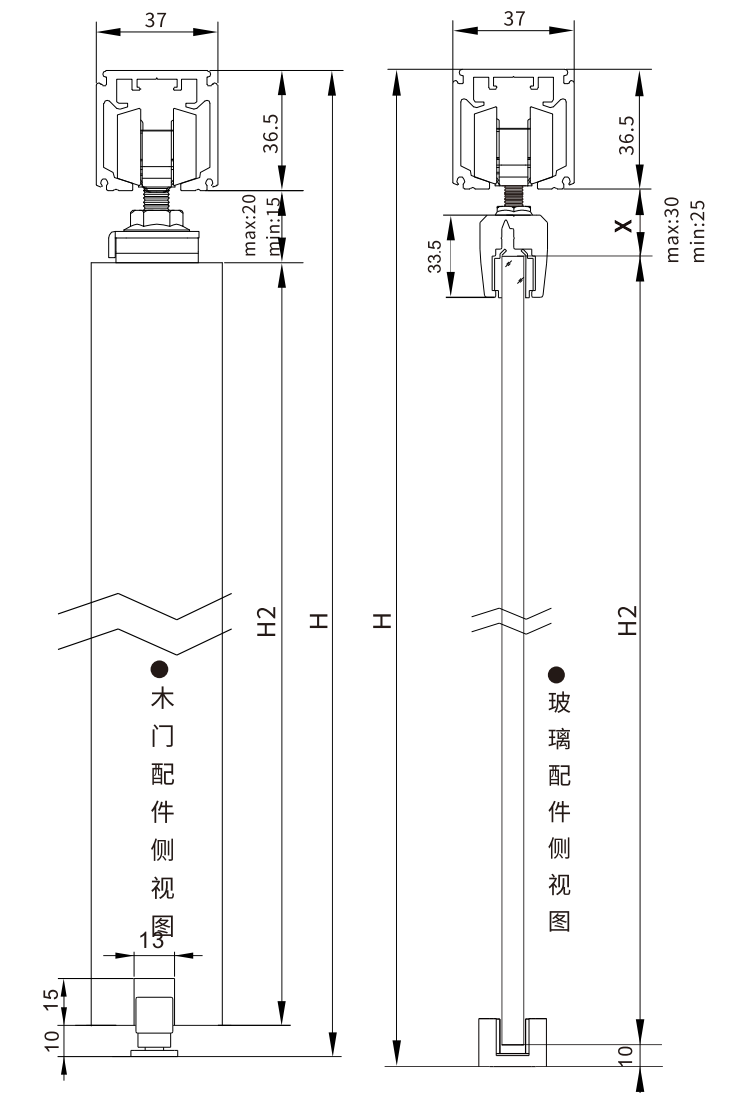
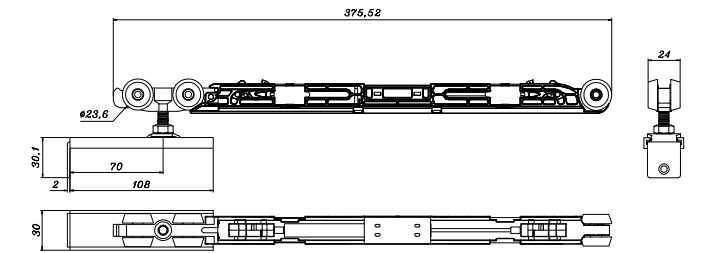
选配配件

Optional accessories



其他选配

Other options



HL-SC2103 液压式单杆双向阻尼滑轮

Hydraulic both-way soft close sliding door roller

功能特性 Features

- 适用于单扇或多扇平移门
Suitable for single or multiple sliding doors
- 适用于家庭、酒店、写字楼等场所使用的缓冲平移门
Suitable for sliding doors for families, hotels, office buildings, etc.
- 平衡轮设计原理
Balance wheel design principle
- 受力均匀, 开关门双向缓冲
Double soft closing system for sliding door balance running
- 手动推拉、两边定位、高低调节
Manual push and pull positioning on both sides to achieve balance

材质及表面处理 Materials and finishes

- 导轨: 铝合金, 阳极氧化
Sliding track: Aluminum, Anodized
- 吊轮: 锌合金, 珍珠镍
Hanging roller: Zinc alloy, SN
- 吊码: 铁, 镍
Bracket: Iron, SN
- 插片: 铜, 砂镍
Insert: Brass, SN
- 窄边吊码: 铝合金
Bracket: Aluminum
- 玻璃夹: 铝合金
Glass clamp: Aluminum

产品参数 Product parameters

产品型号 Item NO.	HL-SC2103-01 吊码 Bracket	HL-SC2103-02 插片 Insert	HL-SC2103-03 玻璃夹 Glass clamp	HL-SC2103-04 窄边吊码 Bracket	HL-SC2103-05 平装插片 Insert
承重(KG) MAX Capacity	100	100	100	100	100
适用厚度(mm) Door thickness	≥25	≥30	8-10	45	≥25
门扇宽度(mm) Door width	≥580	≥600	≥580	≥630	≥580
门高公式(H2) Door height formula	H-33.5-X-10mm				

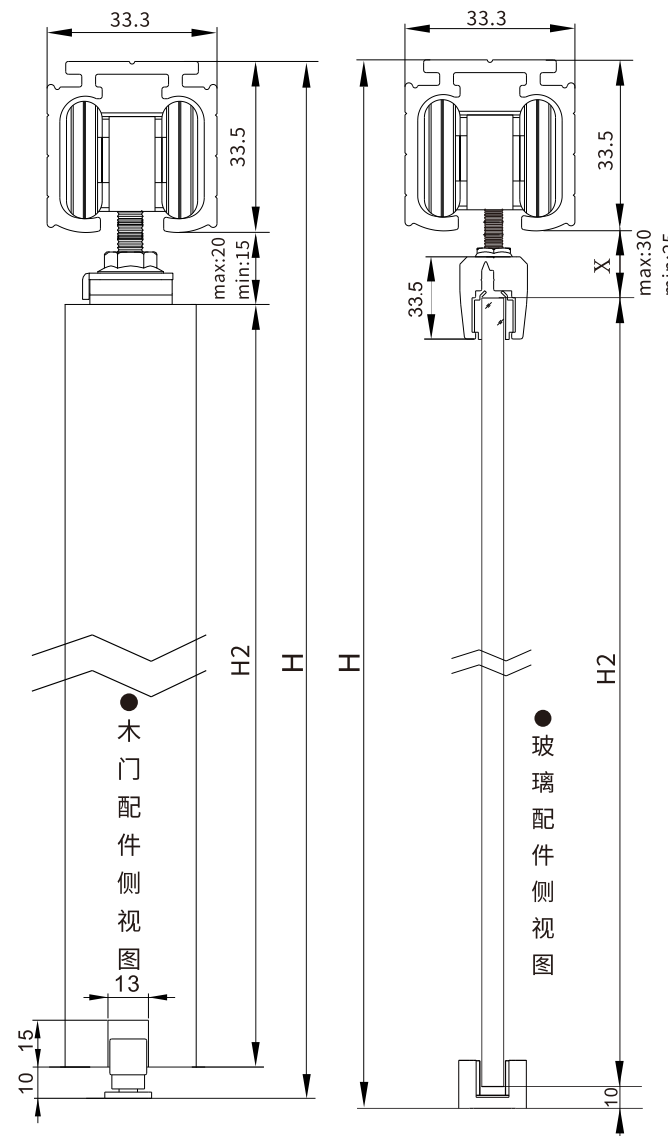
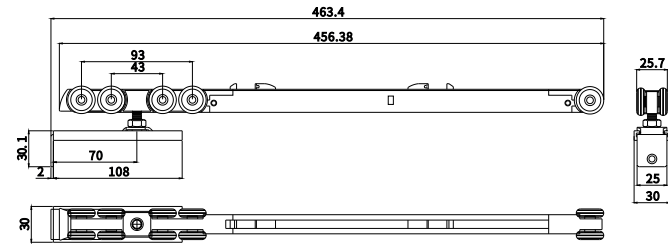
标准配置 Standard configuration



选配配件 Optional accessories



其他选配 Other options



HL-098 液压分体式双向阻尼滑轮

Hydraulic both-way soft close sliding door roller

功能特性 Features

- 适用于单扇或多扇平移门
Suitable for single or multiple sliding doors
- 适用于家庭、酒店、写字楼等场所使用的缓冲平移门
Suitable for sliding doors for families, hotels, office buildings, etc.
- 平衡轮设计原理
Balance wheel design principle
- 受力均匀, 开关门双向缓冲
Double soft closing system for sliding door balance running
- 手动推拉、两边定位、高低调节
Manual push and pull positioning on both sides to achieve balance

材质及表面处理 Materials and finishes

- 导轨: 铝合金, 阳极氧化
Sliding track: Aluminum, Anodized
- 吊轮: 锌合金, 砂镍/珍珠镍
Hanging roller: Zinc alloy, SN, PC
- 吊码: 铁, 锌
Bracket: Iron, Zinc
- 插片: 铜, 砂镍
Insert: Brass, SN
- 玻璃夹: 铝合金, 阳极氧化喷砂
Glass clamp: Aluminum, Anodized blasting

产品参数 Product parameters

产品型号 Item NO.	HL-098-04 吊码 Bracket	HL-098-05 插片 Insert	HL-098-06 玻璃夹 Glass clamp	HL-098-08 窄边吊码 Bracket	HL-098-010 平装插片 Insert
承重(KG) MAX Capacity	80	80	80	80	80
适用厚度(mm) Door thickness	≥25	≥30	6-12	45	≥25
门扇宽度(mm) Door width	≥450				
门高公式(H2) Door height formula	H-46-X-10mm				

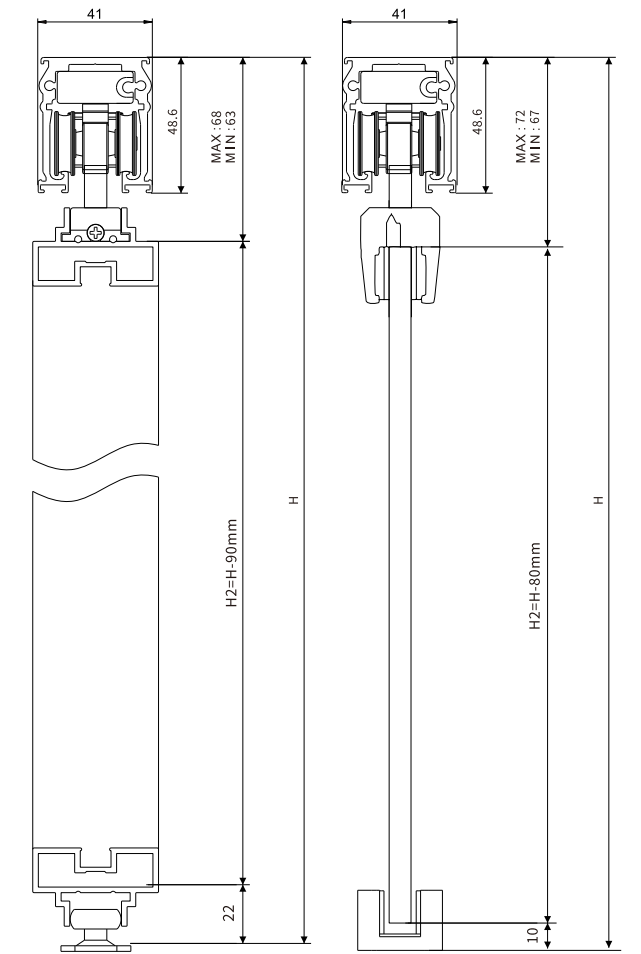
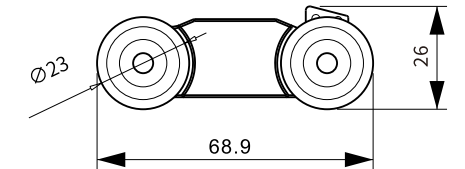
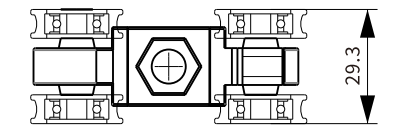
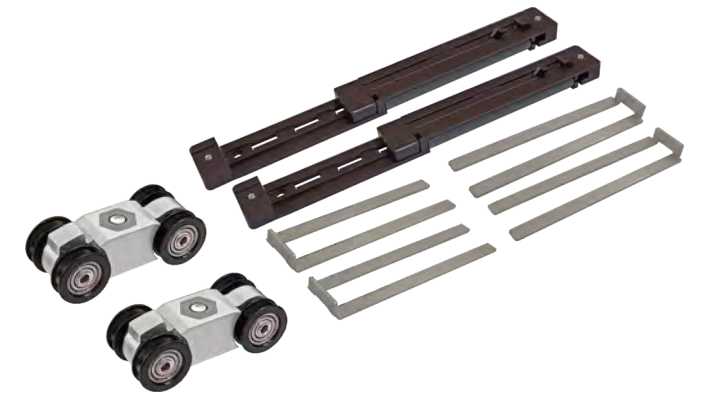
标准配置 Standard configuration



选配配件 Optional accessories



其他选配 Other options



B417 液压分体式双向阻尼滑轮

Hydraulic both-way soft close sliding door roller

功能特性 Features

- 适用于单扇或多扇平移门
Suitable for single or multiple sliding doors
- 适用于家庭、酒店、写字楼等场所使用的缓冲平移门
Suitable for sliding doors for families, hotels, office buildings, etc.
- 平衡轮设计原理
Balance wheel design principle
- 受力均匀, 开关门双向缓冲
Double soft closing system for sliding door balance running
- 手动推拉、两边定位、高低调节
Manual push and pull positioning on both sides to achieve balance

材质及表面处理 Materials and finishes

- 导轨: 铝合金, 阳极氧化
Sliding track: Aluminum, Anodized
- 吊轮: 锌合金, 砂镍/珍珠铬
Hanging roller: Zinc alloy, SN, PC
- 吊码: 铁, 锌
Bracket: Iron, Zinc
- 插片: 铜, 砂镍
Insert: Brass, SN
- 玻璃夹: 铝合金, 阳极氧化喷砂
Glass clamp: Aluminum, Anodized blasting

产品参数 Product parameters

产品型号 Item NO.	B417 吊码 Bracket	B417-4C 插片 Insert	B417-4B 4B玻璃夹 Glass clamp
承重(KG) MAX Capacity	80	80	80
适用厚度(mm) Door thickness	≥25	≥30	6-12
门高公式(H2) Door height formula	H-50-X-10mm		

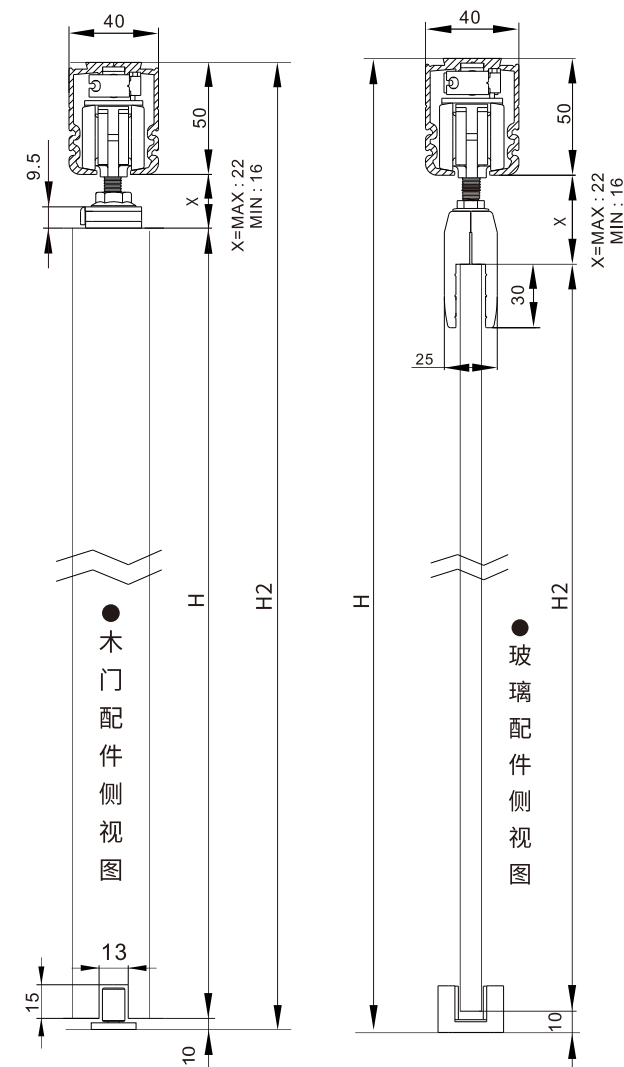
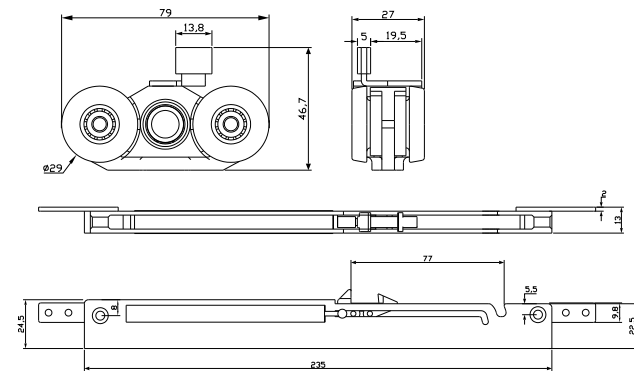
标准配置 Standard configuration



选配配件 Optional accessories



其他选配 Other options



HL-SC2107 液压式单杆单向阻尼滑轮

Hydraulic one-way soft close sliding door roller

功能特性 Features

- 适用于单扇或双扇口袋门
Suitable for single or multiple sliding doors
- 适用于家庭、酒店、写字楼等场所使用的缓冲平移门
Suitable for sliding doors for families, hotels, office buildings, etc.
- 平衡轮设计原理
Balance wheel design principle
- 安装方便、运行顺畅、使用寿命长
Easy installation, smooth operation, long service life

材质及表面处理 Materials and finishes

- 导轨: 铝合金, 阳极氧化
Sliding track: Aluminum, Anodized
- 吊轮: 尼龙
Hanging roller: PA66
- 吊码: 铁, 镍
Bracket: Iron, SN
- 插片: 铜, 砂镍
Insert: Brass, SN
- 窄边吊码: 铝合金
Bracket: Aluminum
- 玻璃夹: 铝合金
Glass clamp: Aluminum

产品参数 Product parameters

产品型号 Item NO.	HL-SC2107-01 吊码 Bracket	HL-SC2107-02 插片 Insert	HL-SC2107-03 玻璃夹 Glass clamp	HL-SC2107-04 窄边吊码 Bracket	HL-SC2107-05 快装吊码 Bracket	HL-SC2107-06 平装插片 Insert
承重(KG) MAX Capacity	60	60	60	60	60	60
适用厚度(mm) Door thickness	≥25	≥30	8-10	45	≥20	≥25
门扇宽度(mm) Door width	≥435	≥490	≥470	≥520	≥470	≥520
门高公式(H2) Door height formula	H-37-X-10mm					

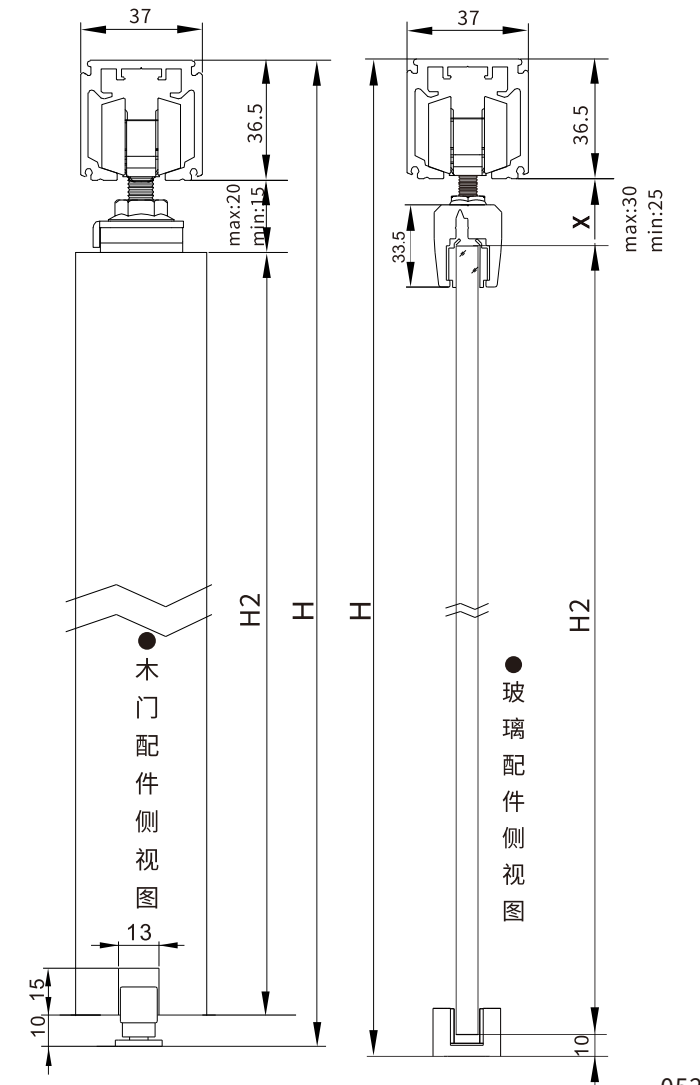
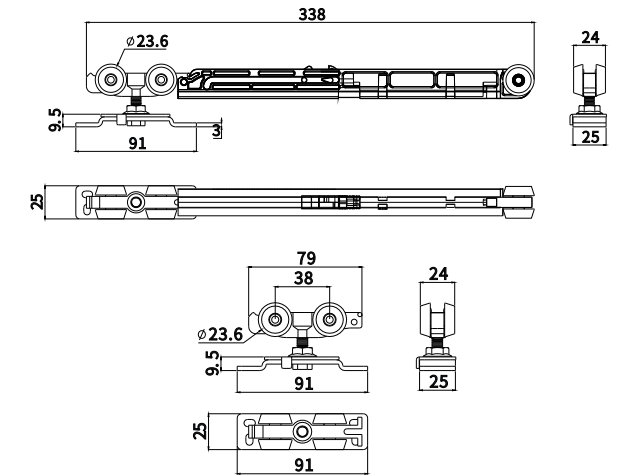
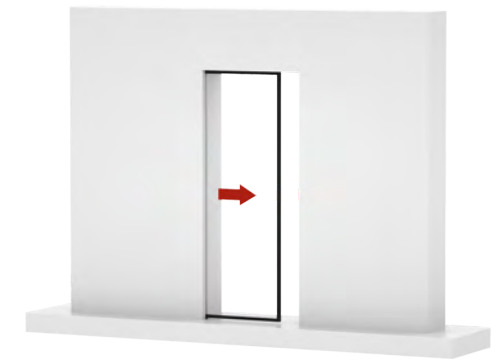
标准配置 Standard configuration



选配配件 Optional accessories



其他选配 Other options





银黑
SILVER BLACK



白色裂纹漆
WHITE CRACKLE



铜做旧
ANTIQUÉ BRONZE



风化锈
WEATHERED RUST



产品参数 Product parameters

门扇厚度(MM) Door thickness	固定件规格(MM) Fixture specification	螺丝规格(MM) Screw specification	固定螺丝(MM) Fixed screw	计算门高公式 Door height formula
35-40	34	M10*55	M8*60机丝 M8*90自攻	FH-33-10
40-45	45	M10*60	M8*70机丝 M8*90自攻	
45-50	45	M10*65	M8*70机丝 M8*90自攻	
50-55	55	M10*70	M8*80机丝 M8*100自攻	

HL-066 美式谷仓门滑轮

HL-066 Sliding barn door roller

功能特性 Features

- ▶ 适用于单扇或多扇平移门
Suitable for single or multiple sliding doors
- ▶ 适用于家庭、酒店、写字楼等场所使用的平移门
Suitable for sliding doors for families, hotels, office buildings, etc.
- ▶ 平衡轮设计原理
Balance wheel design principle
- ▶ 手动推拉、两边定位
Manual push and pull, positioning on both sides
- ▶ 安装方便、运行顺畅、使用寿命长
Easy installation, smooth operation, long service life

材质及表面处理 Materials and finishes

- ▶ 轨道:铁,喷涂砂黑
Track:iron,spray sand black
- ▶ 吊轮:铁,喷涂砂黑
Hanging roller:iron,spray sand black
- ▶ 定位器:锌合金,喷涂砂黑
Locator:zinc alloy,spray sand black
- ▶ 轨道固定件:铁,喷涂砂黑
Track fixing parts:iron,spray sand black

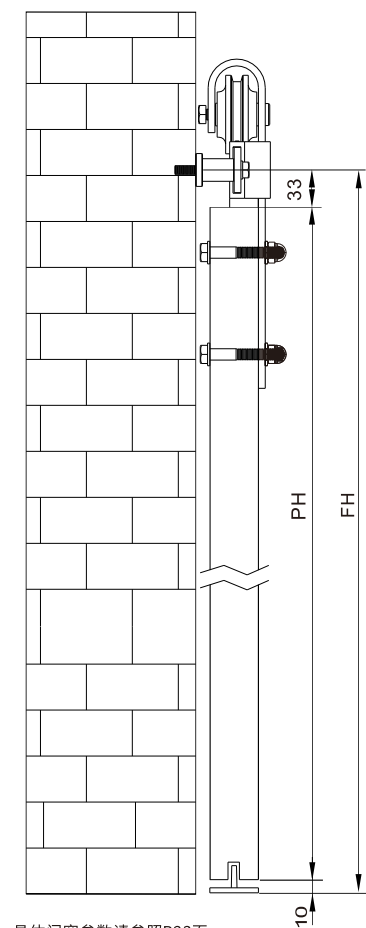
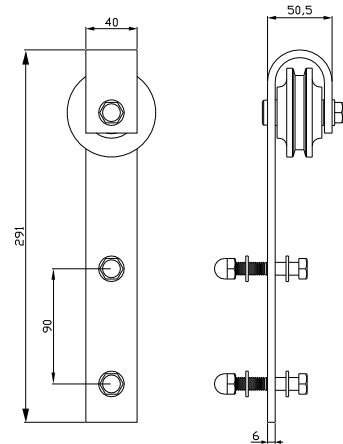
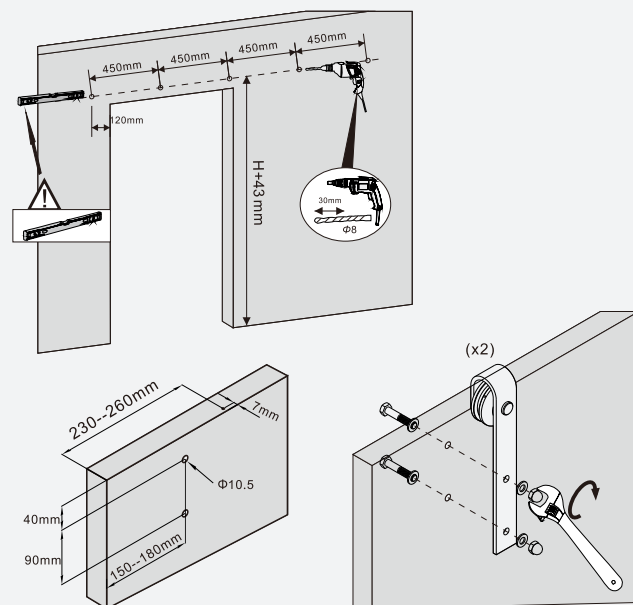
标准配置 Standard configuration



选配产品 Accessories optional



安装尺寸 Installation dimensions



具体门宽参数请参照P23页

HL-067 美式谷仓门滑轮

HL-067 Sliding barn door roller

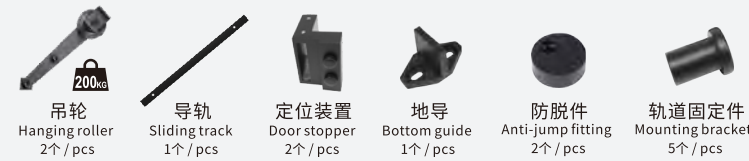
功能特性 Features

- ▶ 适用于单扇或多扇平移门
Suitable for single or multiple sliding doors
- ▶ 适用于家庭、酒店、写字楼等场所使用的平移门
Suitable for sliding doors for families, hotels, office buildings, etc.
- ▶ 平衡轮设计原理
Balance wheel design principle
- ▶ 手动推拉、两边定位
Manual push and pull, positioning on both sides
- ▶ 安装方便、运行顺畅、使用寿命长
Easy installation, smooth operation, long service life

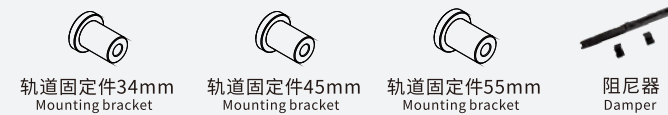
材质及表面处理 Materials and finishes

- ▶ 轨道:铁,喷涂砂黑
Track:iron,spray sand black
- ▶ 吊轮:铁,喷涂砂黑
Hanging roller:iron,spray sand black
- ▶ 定位器:锌合金,喷涂砂黑
Locator:zinc alloy,spray sand black
- ▶ 轨道固定件:铁,喷涂砂黑
Track fixing parts:iron,spray sand black

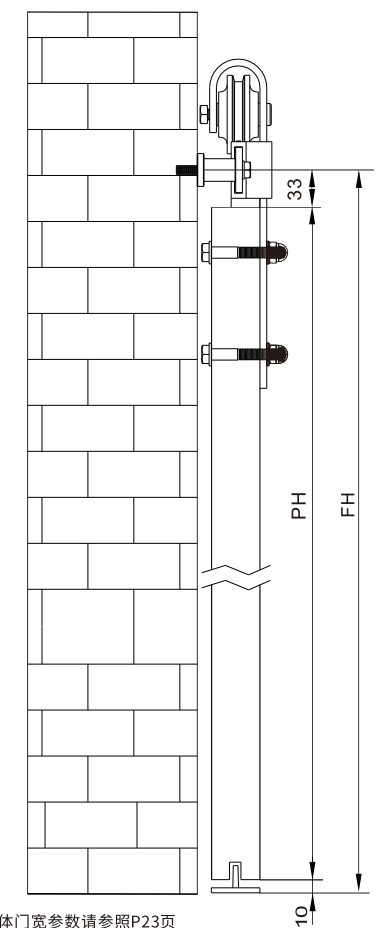
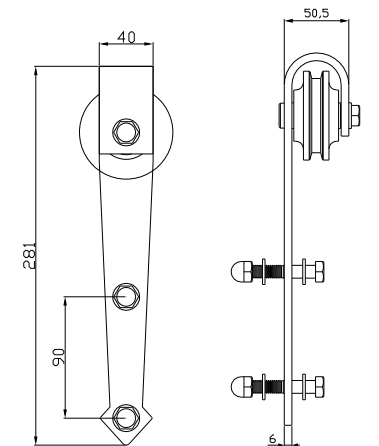
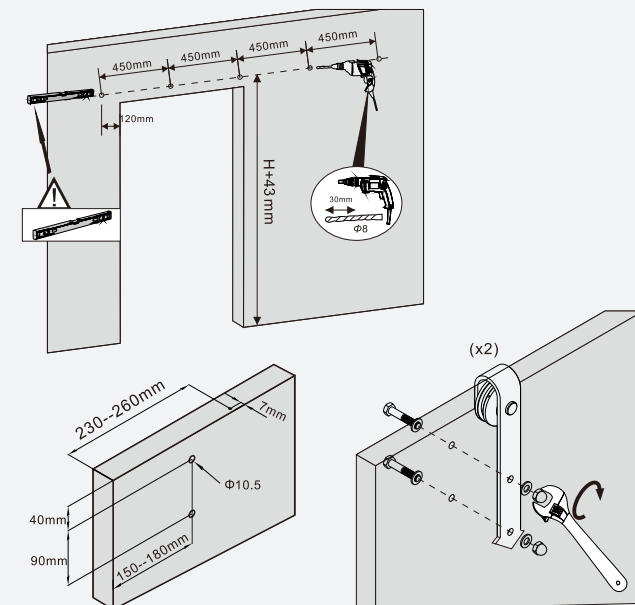
标准配置 Standard configuration



选配产品 Accessories optional



安装尺寸 Installation dimensions



具体门宽参数请参照P23页

HL-068 美式谷仓门滑轮

HL-068 Sliding barn door roller

功能特性 Features

- ▶ 适用于单扇或多扇平移门
Suitable for single or multiple sliding doors
- ▶ 适用于家庭、酒店、写字楼等场所使用的平移门
Suitable for sliding doors for families, hotels, office buildings, etc.
- ▶ 平衡轮设计原理
Balance wheel design principle
- ▶ 手动推拉、两边定位
Manual push and pull, positioning on both sides
- ▶ 安装方便、运行顺畅、使用寿命长
Easy installation, smooth operation, long service life

材质及表面处理 Materials and finishes

- ▶ 轨道:铁, 喷涂砂黑
Track: iron, spray sand black
- ▶ 吊轮:铁, 喷涂砂黑
Hanging roller: iron, spray sand black
- ▶ 定位器:锌合金, 喷涂砂黑
Locator: zinc alloy, spray sand black
- ▶ 轨道固定件:铁, 喷涂砂黑
Track fixing parts: iron, spray sand black

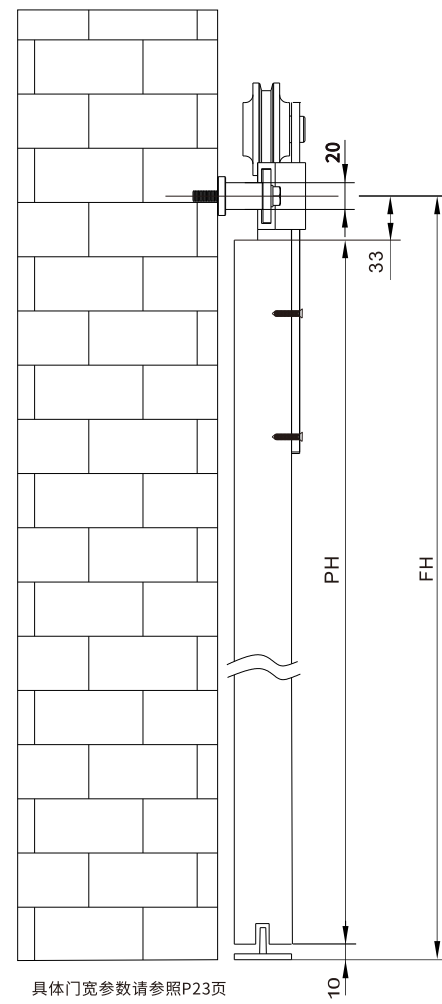
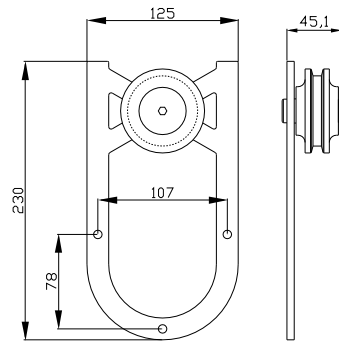
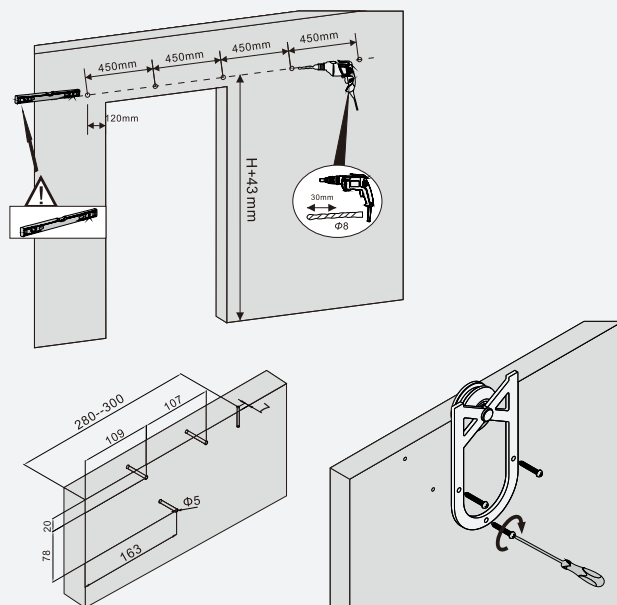
标准配置 Standard configuration



选配产品 Accessories optional



安装尺寸 Installation dimensions



具体门宽参数请参照P23页

HL-069 美式谷仓门滑轮

HL-069 Sliding barn door roller

功能特性 Features

- ▶ 适用于单扇或多扇平移门
Suitable for single or multiple sliding doors
- ▶ 适用于家庭、酒店、写字楼等场所使用的平移门
Suitable for sliding doors for families, hotels, office buildings, etc.
- ▶ 平衡轮设计原理
Balance wheel design principle
- ▶ 手动推拉、两边定位
Manual push and pull, positioning on both sides
- ▶ 安装方便、运行顺畅、使用寿命长
Easy installation, smooth operation, long service life

材质及表面处理 Materials and finishes

- ▶ 轨道:铁, 喷涂砂黑
Track: iron, spray sand black
- ▶ 吊轮:铁, 喷涂砂黑
Hanging roller: iron, spray sand black
- ▶ 定位器:锌合金, 喷涂砂黑
Locator: zinc alloy, spray sand black
- ▶ 轨道固定件:铁, 喷涂砂黑
Track fixing parts: iron, spray sand black

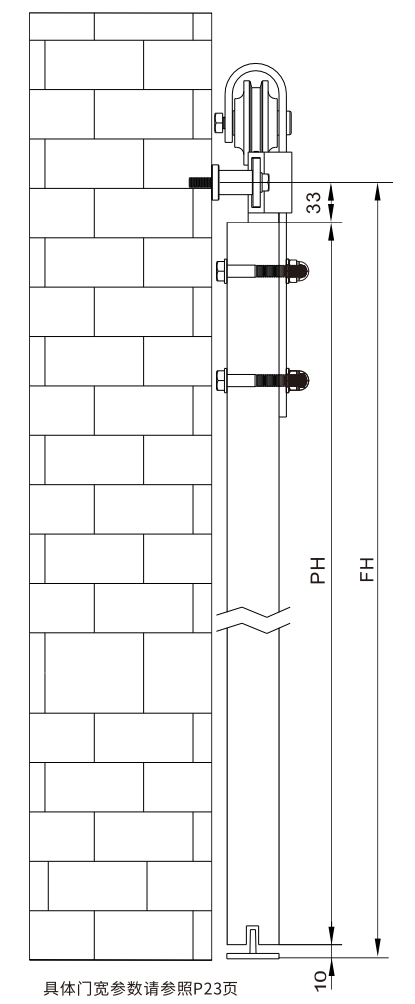
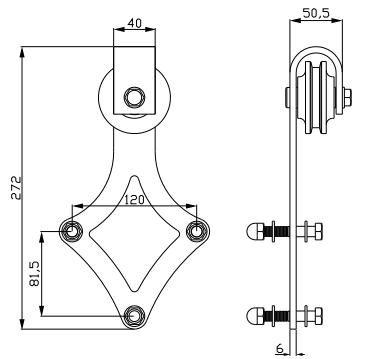
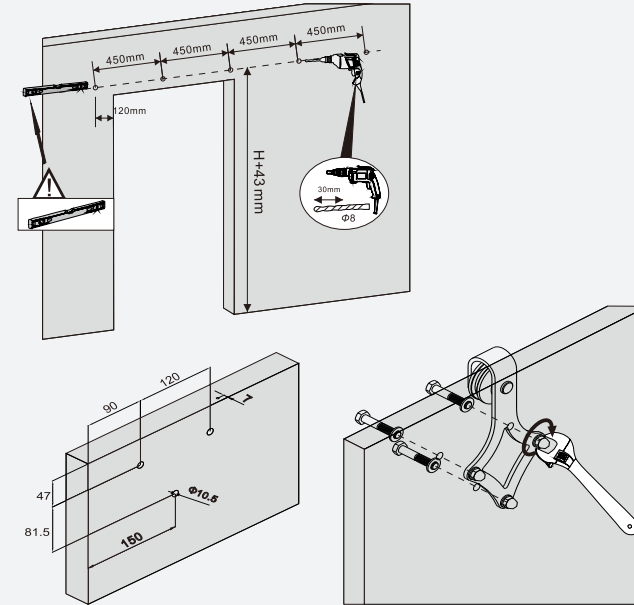
标准配置 Standard configuration



选配产品 Accessories optional



安装尺寸 Installation dimensions



具体门宽参数请参照P23页

HL-070 美式谷仓门滑轮

HL-070 Sliding barn door roller

功能特性 Features

- ▶ 适用于单扇或多扇平移门
Suitable for single or multiple sliding doors
- ▶ 适用于家庭、酒店、写字楼等场所使用的平移门
Suitable for sliding doors for families, hotels, office buildings, etc.
- ▶ 平衡轮设计原理
Balance wheel design principle
- ▶ 手动推拉、两边定位
Manual push and pull, positioning on both sides
- ▶ 安装方便、运行顺畅、使用寿命长
Easy installation, smooth operation, long service life

材质及表面处理 Materials and finishes

- ▶ 轨道:铁,喷涂砂黑
Track:iron,spray sand black
- ▶ 吊轮:铁,喷涂砂黑
Hanging roller:iron, spray sand black
- ▶ 定位器:锌合金,喷涂砂黑
Locator:zinc alloy, spray sand black
- ▶ 轨道固定件:铁,喷涂砂黑
Track fixing parts:iron, spray sand black

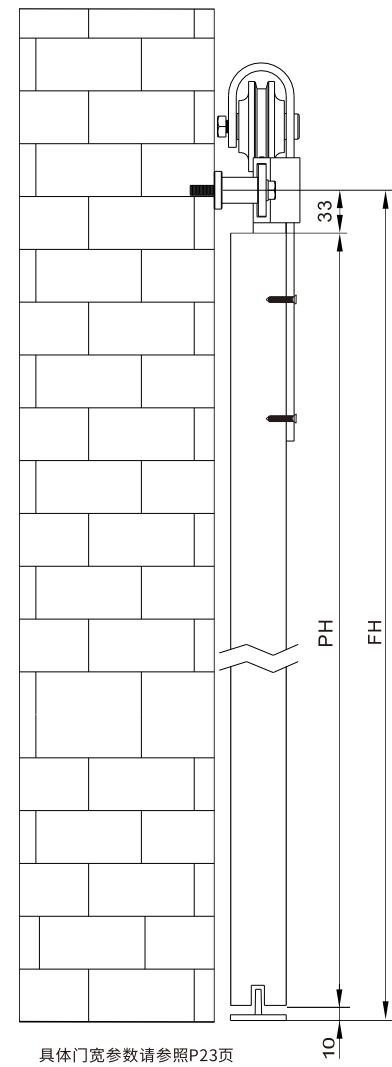
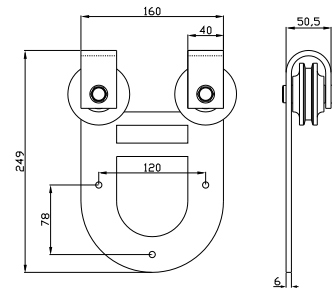
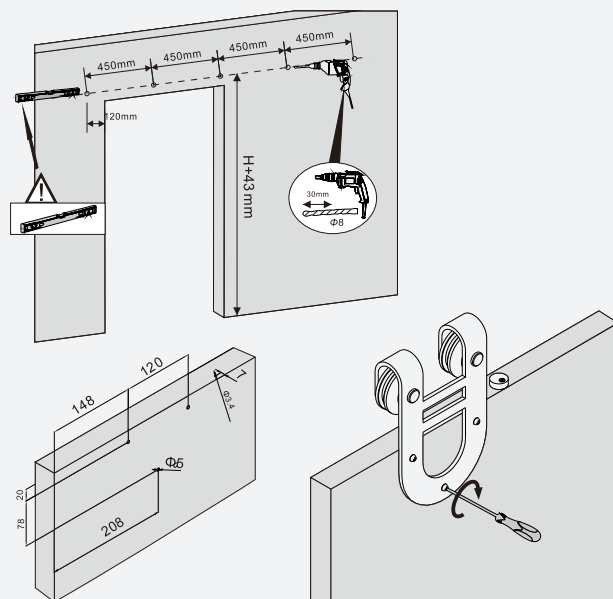
标准配置 Standard configuration



选配产品 Accessories optional



安装尺寸 Installation dimensions



具体门宽参数请参照P23页

HL-078 美式谷仓门滑轮

HL-078 Sliding barn door roller

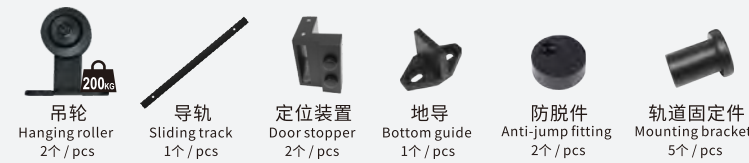
功能特性 Features

- ▶ 适用于单扇或多扇平移门
Suitable for single or multiple sliding doors
- ▶ 适用于家庭、酒店、写字楼等场所使用的平移门
Suitable for sliding doors for families, hotels, office buildings, etc.
- ▶ 平衡轮设计原理
Balance wheel design principle
- ▶ 手动推拉、两边定位
Manual push and pull, positioning on both sides
- ▶ 安装方便、运行顺畅、使用寿命长
Easy installation, smooth operation, long service life

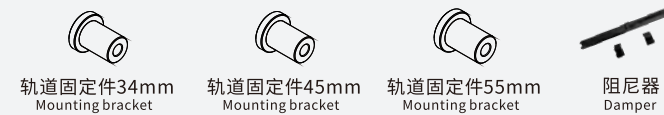
材质及表面处理 Materials and finishes

- ▶ 轨道:铁,喷涂砂黑
Track:iron,spray sand black
- ▶ 吊轮:铁,喷涂砂黑
Hanging roller:iron, spray sand black
- ▶ 定位器:锌合金,喷涂砂黑
Locator:zinc alloy, spray sand black
- ▶ 轨道固定件:铁,喷涂砂黑
Track fixing parts:iron, spray sand black

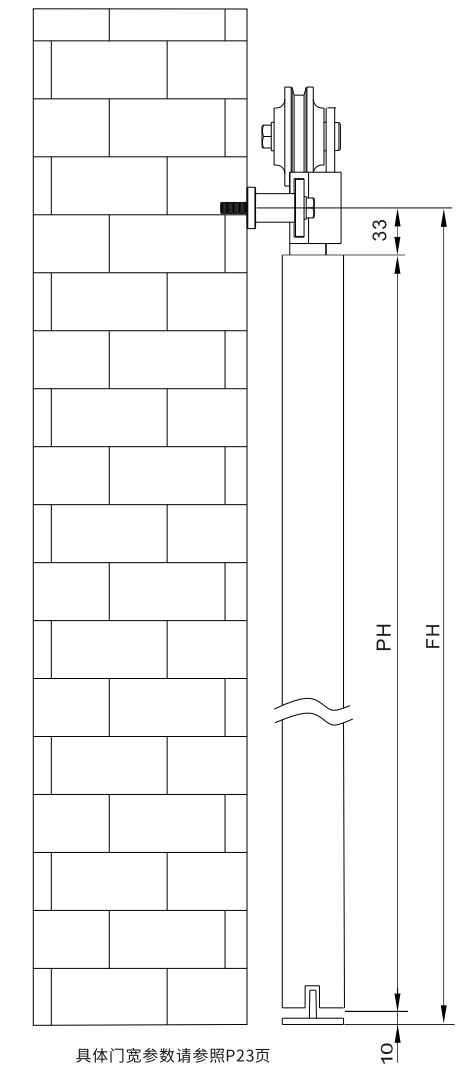
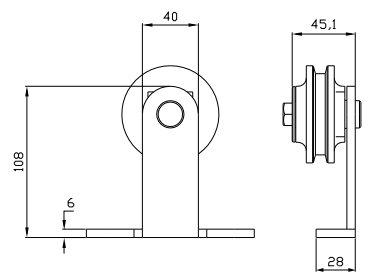
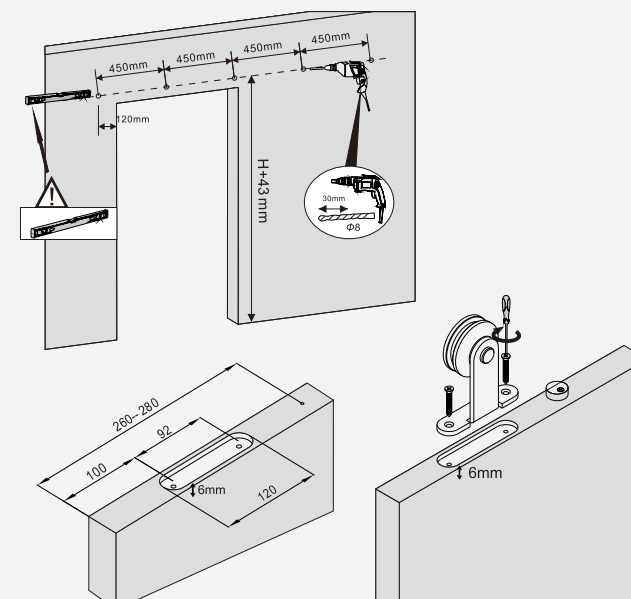
标准配置 Standard configuration



选配产品 Accessories optional



安装尺寸 Installation dimensions



具体门宽参数请参照P23页



HL-079 美式谷仓门滑轮

HL-079 Sliding barn door roller

功能特性 Features

- ▶ 适用于单扇或多扇平移门
Suitable for single or multiple sliding doors
- ▶ 适用于家庭、酒店、写字楼等场所使用的平移门
Suitable for sliding doors for families, hotels, office buildings, etc.
- ▶ 平衡轮设计原理
Balance wheel design principle
- ▶ 手动推拉、两边定位
Manual push and pull, positioning on both sides
- ▶ 安装方便、运行顺畅、使用寿命长
Easy installation, smooth operation, long service life

材质及表面处理 Materials and finishes

- ▶ 轨道:铁,喷涂砂黑
Track:iron,spray sand black
- ▶ 吊轮:铁,喷涂砂黑
Hanging roller:Iron, spray sand black
- ▶ 定位器:锌合金,喷涂砂黑
Locator:zinc alloy, spray sand black
- ▶ 轨道固定件:铁,喷涂砂黑
Track fixing parts:iron, spray sand black

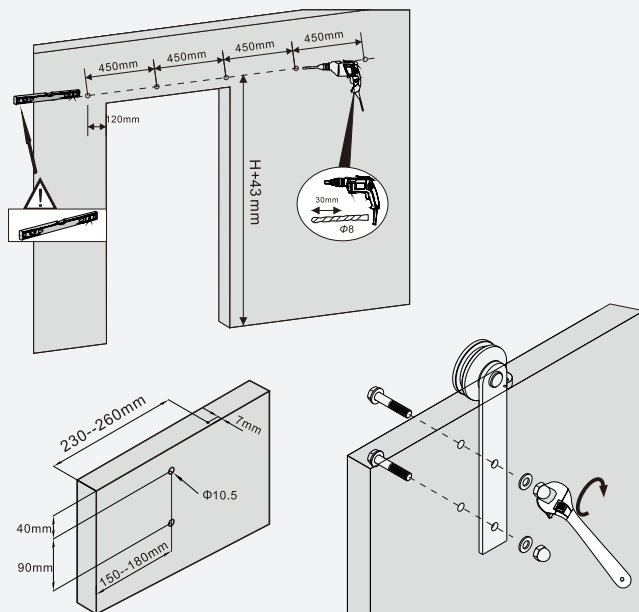
标准配置 Standard configuration



选配产品 Accessories optional



安装尺寸 Installation dimensions



HL-080 美式谷仓门滑轮

HL-080 Sliding barn door roller

功能特性 Features

- ▶ 适用于单扇或多扇平移门
Suitable for single or multiple sliding doors
- ▶ 适用于家庭、酒店、写字楼等场所使用的平移门
Suitable for sliding doors for families, hotels, office buildings, etc.
- ▶ 平衡轮设计原理
Balance wheel design principle
- ▶ 手动推拉、两边定位
Manual push and pull, positioning on both sides
- ▶ 安装方便、运行顺畅、使用寿命长
Easy installation, smooth operation, long service life

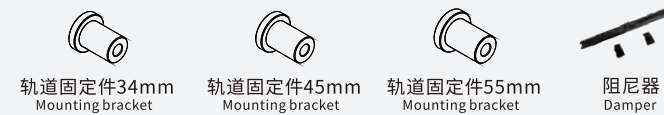
材质及表面处理 Materials and finishes

- ▶ 轨道:铁,喷涂砂黑
Track:iron,spray sand black
- ▶ 吊轮:铁,喷涂砂黑
Hanging roller:Iron, spray sand black
- ▶ 定位器:锌合金,喷涂砂黑
Locator:zinc alloy, spray sand black
- ▶ 轨道固定件:铁,喷涂砂黑
Track fixing parts:iron, spray sand black

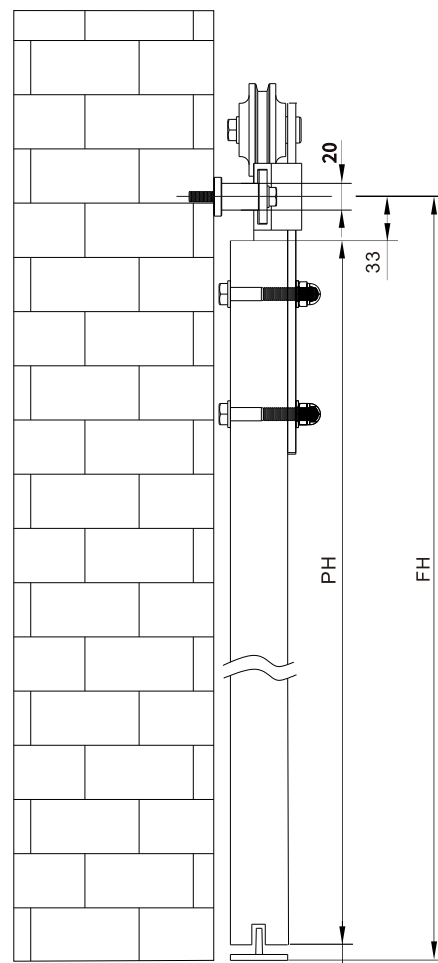
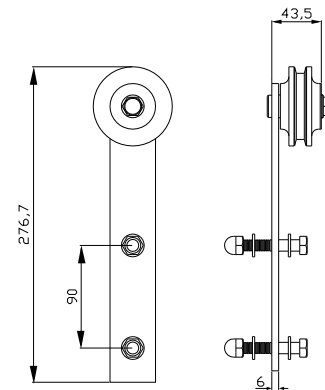
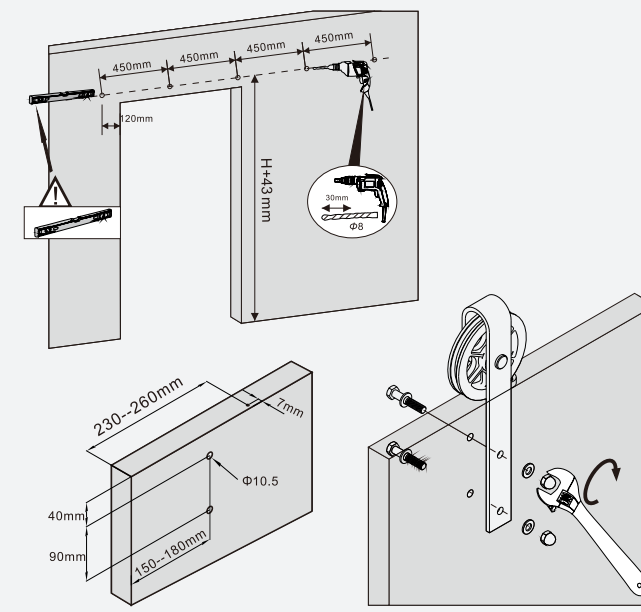
标准配置 Standard configuration



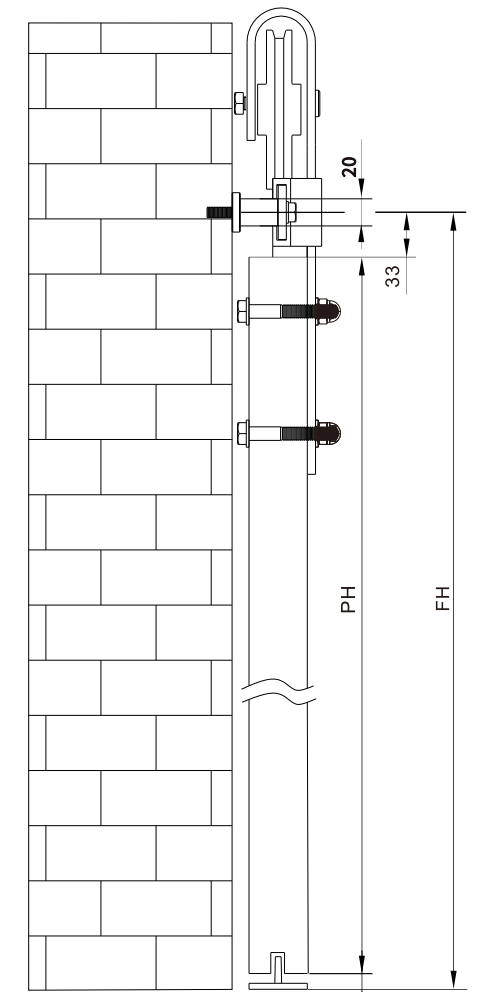
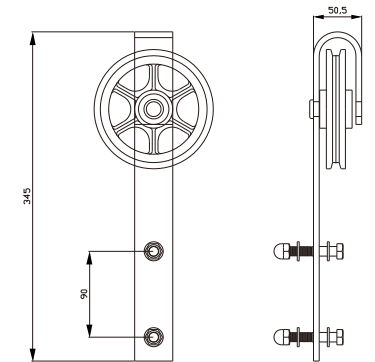
选配产品 Accessories optional



安装尺寸 Installation dimensions



具体门宽参数请参照P23页



具体门宽参数请参照P23页



416 移门滑轮

416 Sliding roller

材质及表面处理

Materials and finishes

- ▶ 导轨: 铝合金, 阳极氧化
Sliding track: Aluminum, Anodized
- ▶ 吊轮: 尼龙, 黑色
Hanging roller: nylon, black
- ▶ 吊码: 铁, 镍
Bracket: Iron, SN
- ▶ 插片: 铁, 锌
Insert: Iron, Zinc
- ▶ 玻璃夹: 铝合金, 阳极氧化喷砂
Glass clamp: Aluminum, Anodized blasting
- ▶ 3S玻璃夹: 不锈钢, 拉丝
3S Glass clamp: Stainless steel, SS
- ▶ 普通玻璃夹: 铜, 光铬, 砂镍
Glass clamp: Brass, CP, SN

产品参数

Product parameters

产品型号 Item NO.	A416 吊码 Bracket	416-4C 插片 Insert	416-4B 4B玻璃夹 Glass clamp	416-8B 8B玻璃夹 Glass clamp	416-3S 3S圆夹 Glass clamp	416-40C 40C圆夹 Glass clamp	416-60C 60C圆夹 Glass clamp
承重(KG) MAX Capacity	60	80	80	120	40	60	80
适用厚度(mm) Door thickness	≥25	≥30	6~12	6~12	8~10	8~12	8~12
门高公式(H2) Door height formula	H-40.6-X-10mm						

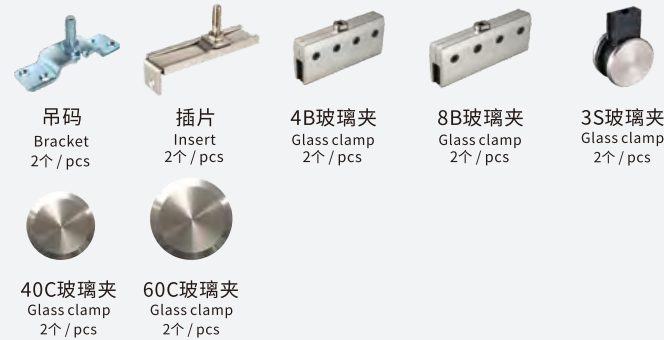
标准配置

Standard configuration



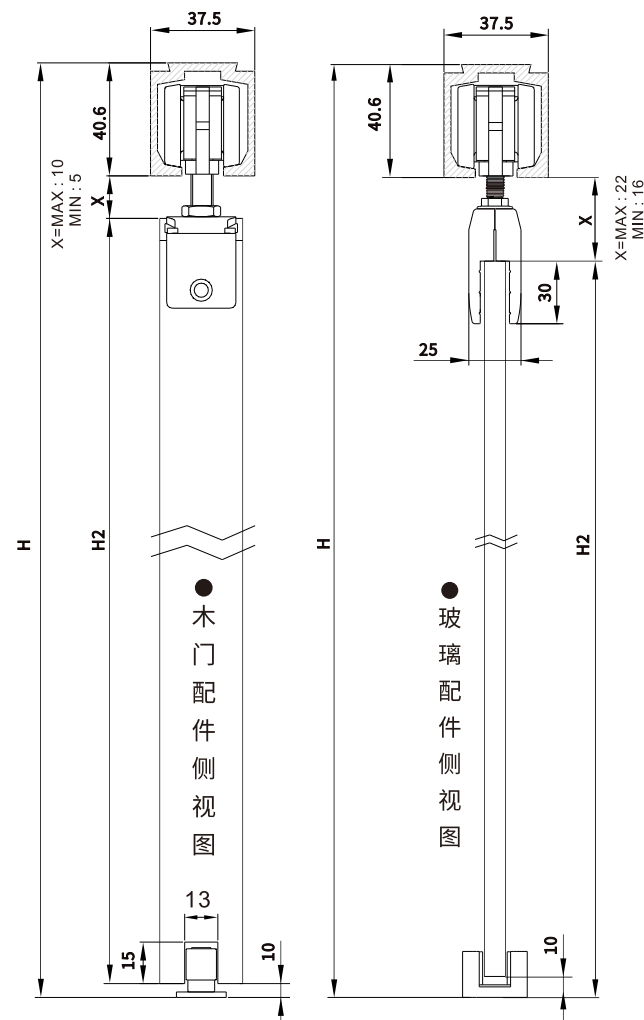
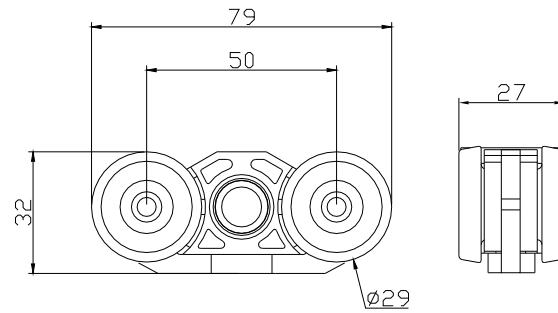
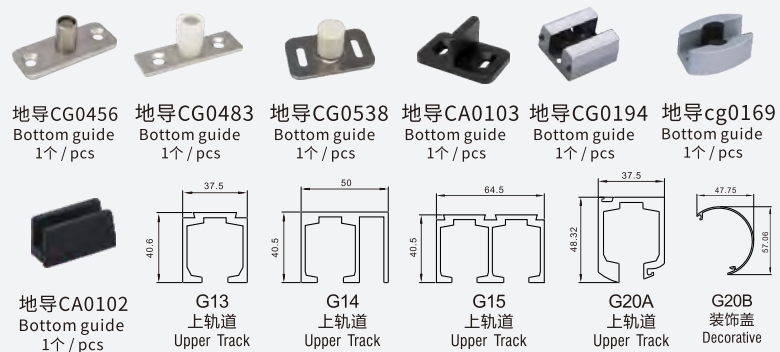
选配配件

Optional accessories



其他选配

Other options



417 移门滑轮

417 Sliding roller

材质及表面处理

Materials and finishes

- ▶ 导轨: 铝合金, 阳极氧化
Sliding track: Aluminum, Anodized
- ▶ 吊轮: 尼龙, 黑色
Hanging roller: nylon, black
- ▶ 吊码: 铁, 镍
Bracket: Iron, SN
- ▶ 插片: 铁, 锌
Insert: Iron, Zinc
- ▶ 玻璃夹: 铝合金, 阳极氧化喷砂
Glass clamp: Aluminum, Anodized blasting
- ▶ 普通玻璃夹: 铜, 光铬, 砂镍
Glass clamp: Brass, CP, SN

产品参数

Product parameters

产品型号 Item NO.	A417 吊码 Bracket	417-4C 插片 Insert	417-4B 4B玻璃夹 Glass clamp	417-8B 8B玻璃夹 Glass clamp	417-60C 60C圆夹 Glass clamp
承重(KG) MAX Capacity	80	100	80	120	80
适用厚度(mm) Door thickness	≥25	≥30	6~12	6~12	8~12
门高公式(H2) Door height formula	H-40.6-X-10mm				

标准配置

Standard configuration



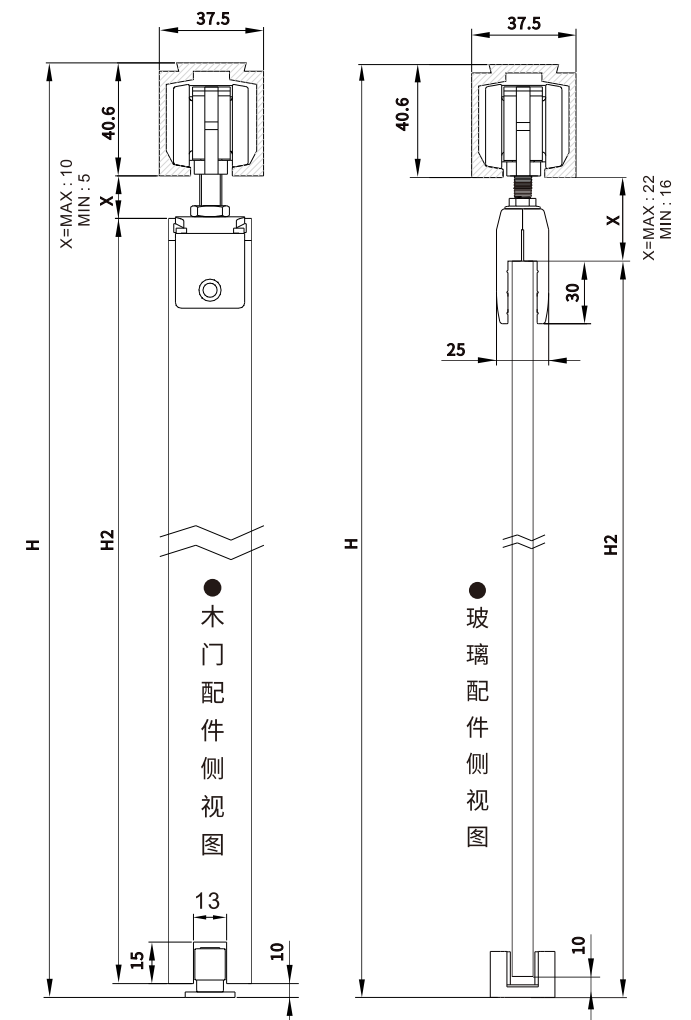
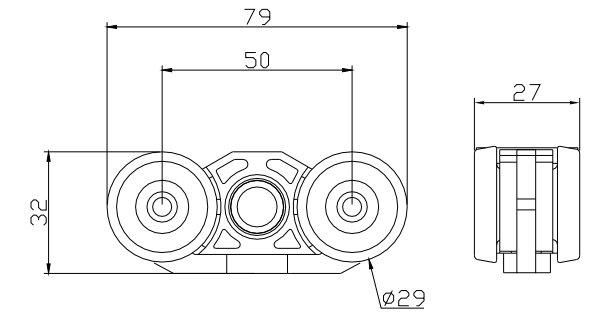
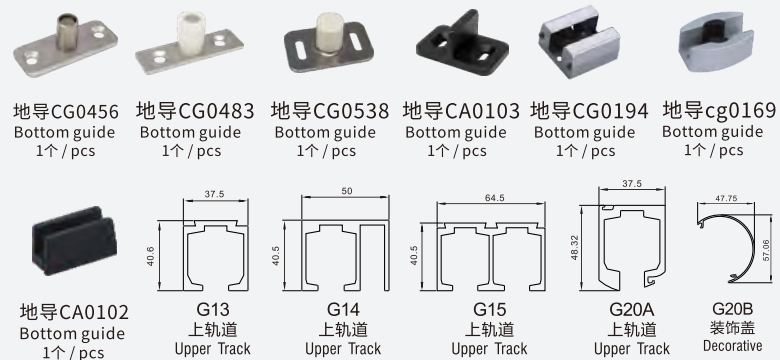
选配配件

Optional accessories



其他选配

Other options



HL-084 移门滑轮

HL-084 Sliding roller

材质及表面处理

Materials and finishes

- ▶ 导轨: 铝合金, 阳极氧化
Sliding track: Aluminum, Anodized
- ▶ 吊轮: 锌合金, 珍珠铬
Hanging roller: Zinc alloy, PC
- ▶ 吊码: 铁, 镍
Bracket: Iron, SN
- ▶ 插片: 铜, 砂镍
Insert: Brass, SN
- ▶ 玻璃夹: 铝合金, 阳极氧化喷砂
Glass clamp: Aluminum, Anodized blasting
- ▶ 窄边吊码: 铝合金
Bracket: Aluminum

产品参数

Product parameters

产品型号 Item NO.	HL-084-04 吊码 Bracket	HL-084-05 插片 Insert	HL-084-06 玻璃夹 Glass clamp	HL-084-08 窄边吊码 Bracket
承重(KG) MAX Capacity	80	80	80	80
适用厚度(mm) Door thickness	≥25	≥30	8~10	25
门高公式(H2) Door height formula	H-35-X-10mm			

标准配置

Standard configuration



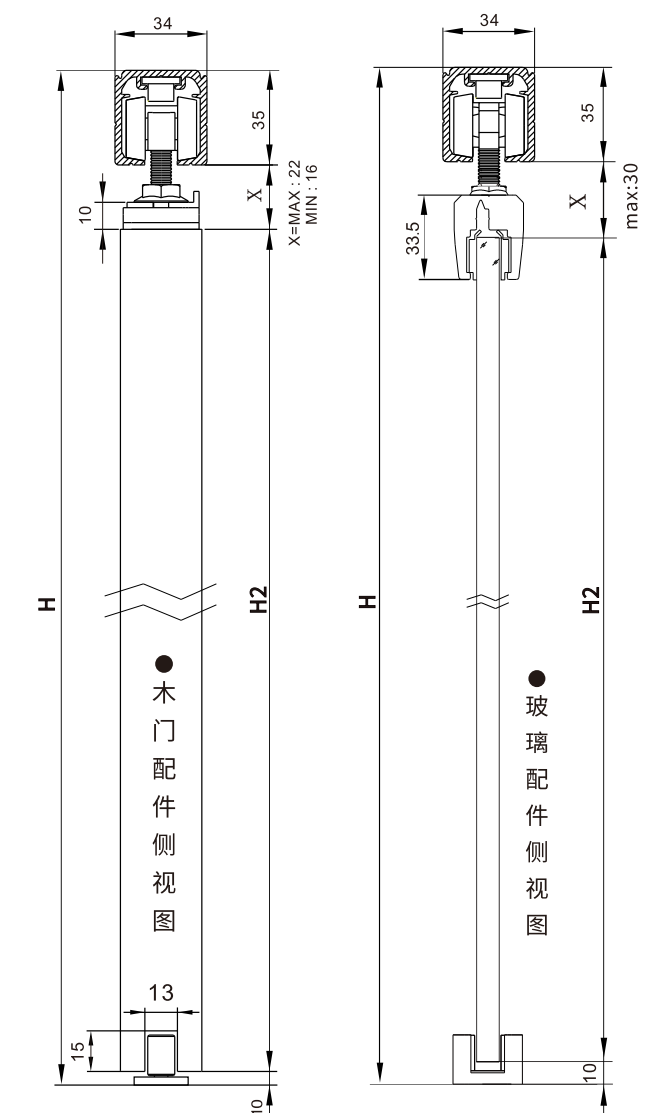
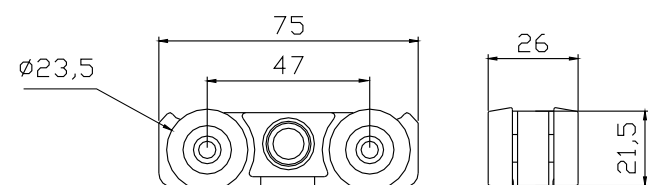
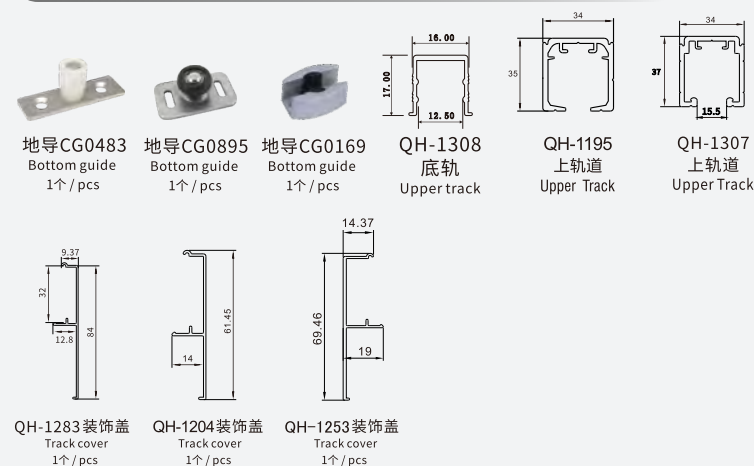
选配配件

Optional accessories



其他选配

Other options



HL-089 移门滑轮

HL-089 Sliding roller

材质及表面处理

Materials and finishes

- ▶ 导轨: 铝合金, 阳极氧化
Sliding track: Aluminum, Anodized
- ▶ 吊轮: 锌合金, 珍珠铬
Hanging roller: Zinc alloy, PC
- ▶ 吊码: 铁, 镍
Bracket: Iron, SN
- ▶ 插片: 铜, 砂镍
Insert: Brass, SN
- ▶ 窄边吊码: 铝合金
Bracket: Aluminum
- ▶ 玻璃夹: 铝合金
Glass clamp: Aluminum

产品参数

Product parameters

产品型号 Item NO.	HL-089-04 吊码 Bracket	HL-089-05 插片 Insert	HL-089-06 玻璃夹 Glass clamp	HL-089-08 窄边吊码 Bracket	HL-089-010 平装插片 Insert
承重(KG) MAX Capacity	100	100	100	100	100
适用厚度(mm) Door thickness	≥25	≥30	8~10	25	≥20
门高公式(H2) Door height formula	H-35-X-10mm				

标准配置

Standard configuration



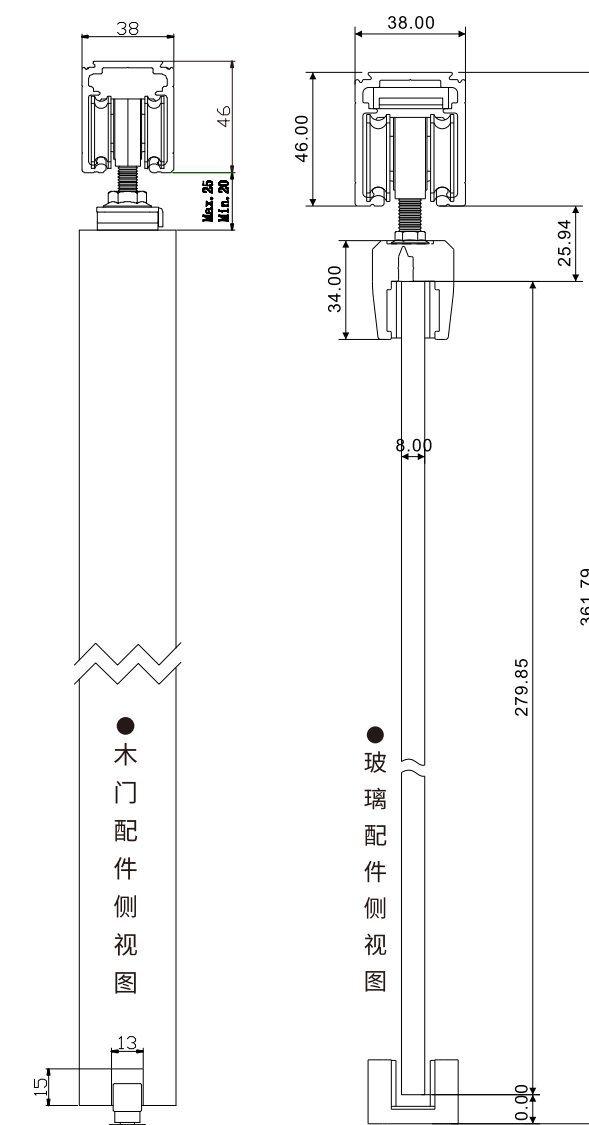
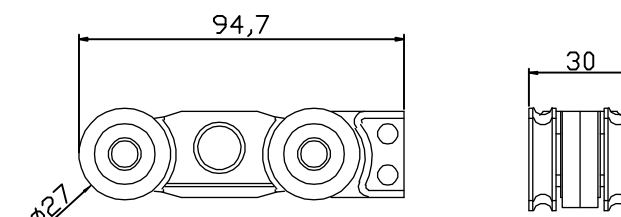
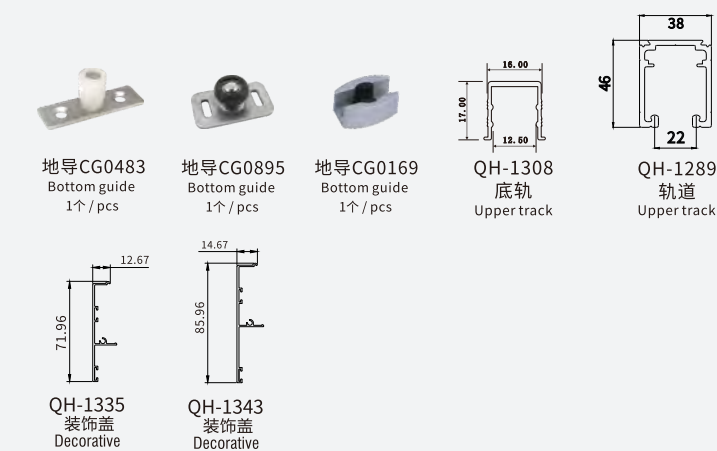
选配配件

Optional accessories



其他选配

Other options



4Z 移门滑轮

4Z Sliding roller

材质及表面处理

Materials and finishes

- ▶ 导轨: 铝合金, 阳极氧化
Sliding track: Aluminum, Anodized
- ▶ 吊轮: 锌合金, 砂镍
Hanging roller: Zinc alloy, SN
- ▶ 插片: 铜, 砂镍
Insert: Brass, SN
- ▶ 玻璃夹: 铝合金, 阳极氧化喷砂
Glass clamp: Aluminum, Anodized blasting

产品参数

Product parameters

产品型号 Item NO.	422-4C 插片 Insert	421-4 90自锁插片 Insert	423-4B 玻璃夹 Glass clamp
承重(KG) MAX Capacity	80	80	80
适用厚度(mm) Door thickness	≥25	≥30	6~12
门高公式(H2) Door height formula	H-31.5-X-10mm		

标准配置

Standard configuration



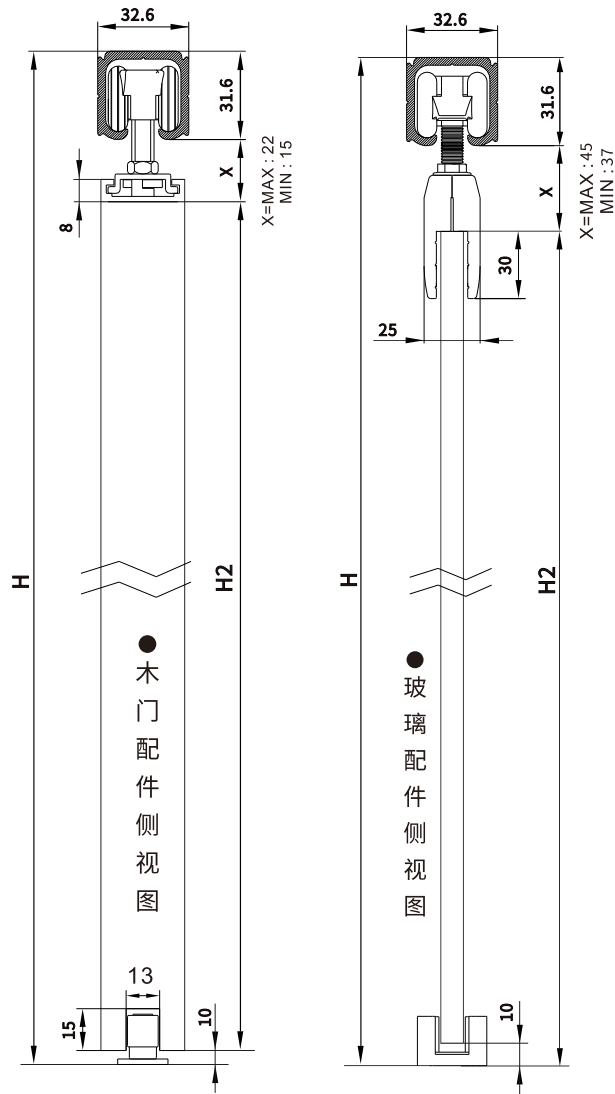
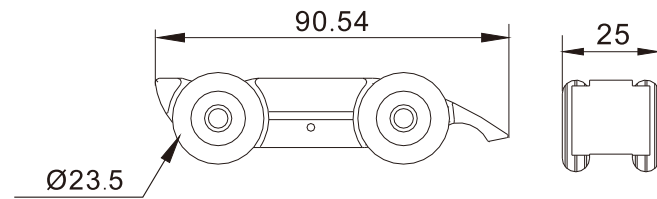
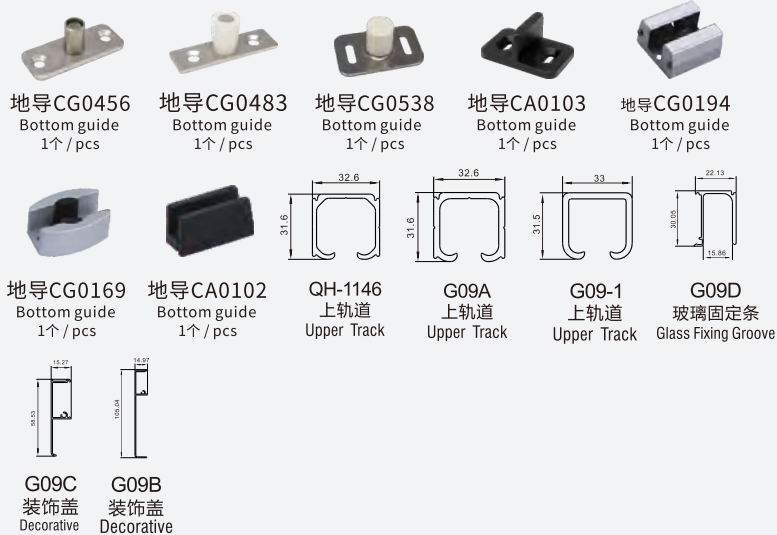
选配配件

Optional accessories



其他选配

Other options



8Z 移门滑轮

8Z Sliding roller

材质及表面处理

Materials and finishes

- ▶ 导轨: 铝合金, 阳极氧化
Sliding track: Aluminum, Anodized
- ▶ 吊轮: 锌合金, 砂镍
Hanging roller: Zinc alloy, PC
- ▶ 玻璃夹: 铝合金, 阳极氧化喷砂
Glass clamp: Aluminum, Anodized blasting
- ▶ 插片: 铜, 砂镍
Insert: Brass, SN

产品参数

Product parameters

产品型号 Item NO.	822-8C 插片 Insert	821-8 120自锁插片 Insert	823-8B 玻璃夹 Glass clamp
承重(KG) MAX Capacity	120	120	120
适用厚度(mm) Door thickness	≥25	≥30	6~12
门高公式(H2) Door height formula	H-31.5-X-10mm		

标准配置

Standard configuration



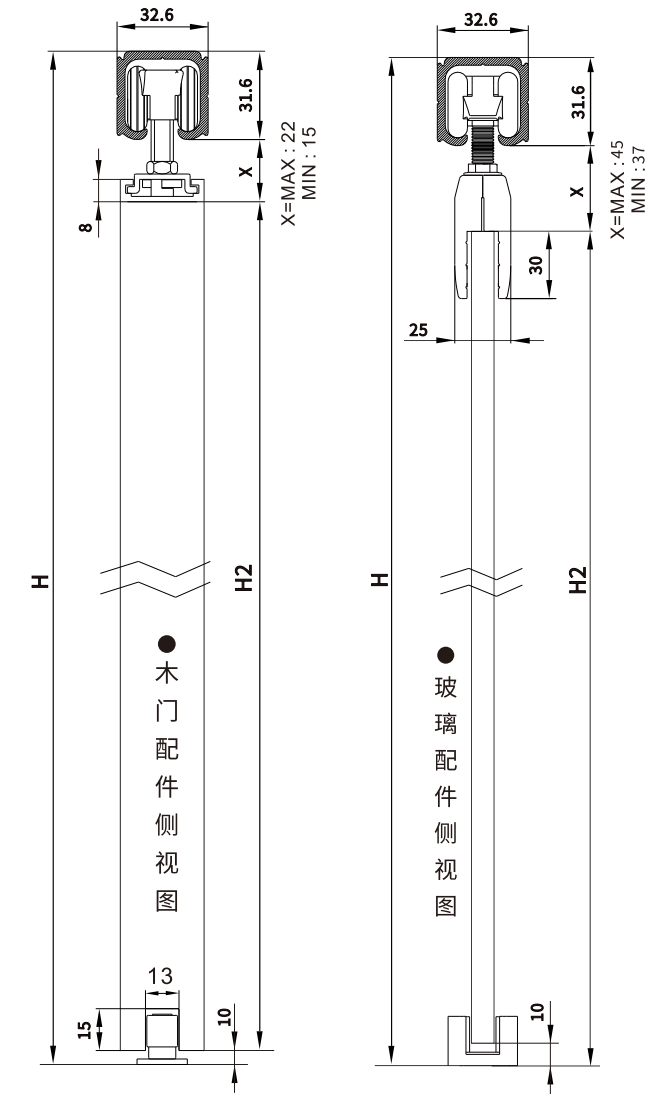
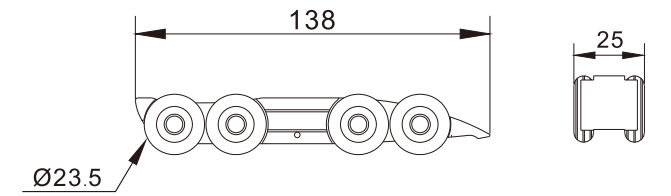
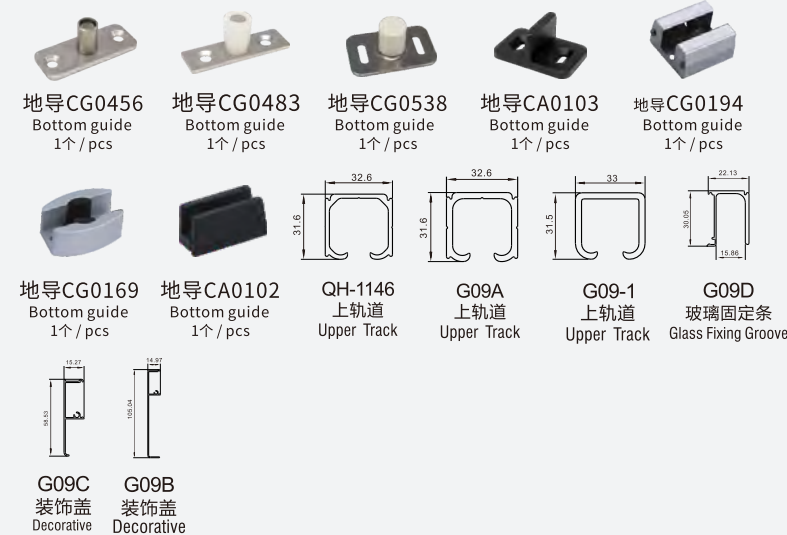
选配配件

Optional accessories



其他选配

Other options



4A 移门滑轮

4A Sliding roller

功能特性 Features

- 适用于单扇或多扇平移门
Suitable for single or multiple sliding doors
- 适用于家庭、酒店、写字楼等场所使用的平移门
Suitable for sliding doors for families, hotels, office buildings, etc.
- 平衡轮设计原理
Balance wheel design principle
- 手动推拉、两边定位、高低调节
Manual push and pull positioning on both sides to achieve balance
- 安装方便、运行顺畅、使用寿命长
Easy installation, smooth operation, long service life

材质及表面处理 Materials and finishes

- 导轨: 铝合金, 阳极氧化
Sliding track: Aluminum, Anodized
- 吊轮: 铝合金, 阳极氧化
Hanging roller: Aluminum, Anodized
- 插片: 铝合金, 阳极氧化
Insert: Aluminum, Anodized

标准配置 Standard configuration

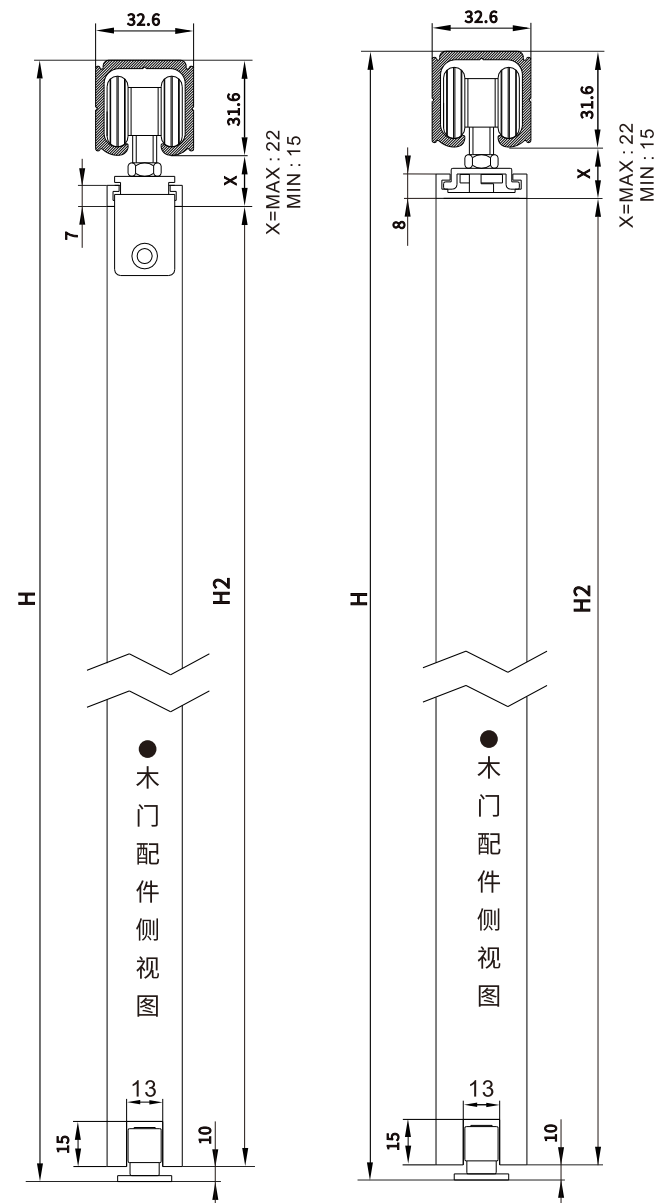
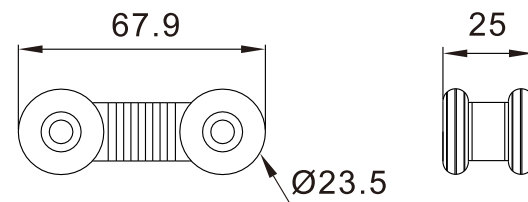


其他选配 Other options



产品参数 Product parameters

产品型号 Item NO.	435-4AC 插片 Insert	433-4A 自锁插片 Insert
承重(KG) Capacity	80	80
适用厚度(MM) Door thickness	≥25	≥30
门高公式(H2) Door height formula	H-31.6-X-10	



6A 移门滑轮

6A Sliding roller

功能特性 Features

- 适用于单扇或多扇平移门
Suitable for single or multiple sliding doors
- 适用于家庭、酒店、写字楼等场所使用的平移门
Suitable for sliding doors for families, hotels, office buildings, etc.
- 平衡轮设计原理
Balance wheel design principle
- 手动推拉、两边定位、高低调节
Manual push and pull positioning on both sides to achieve balance
- 安装方便、运行顺畅、使用寿命长
Easy installation, smooth operation, long service life

材质及表面处理 Materials and finishes

- 导轨: 铝合金, 阳极氧化
Sliding track: Aluminum, Anodized
- 吊轮: 铝合金, 阳极氧化
Hanging roller: Aluminum, Anodized
- 插片: 铝合金, 阳极氧化
Insert: Aluminum, Anodized

标准配置 Standard configuration

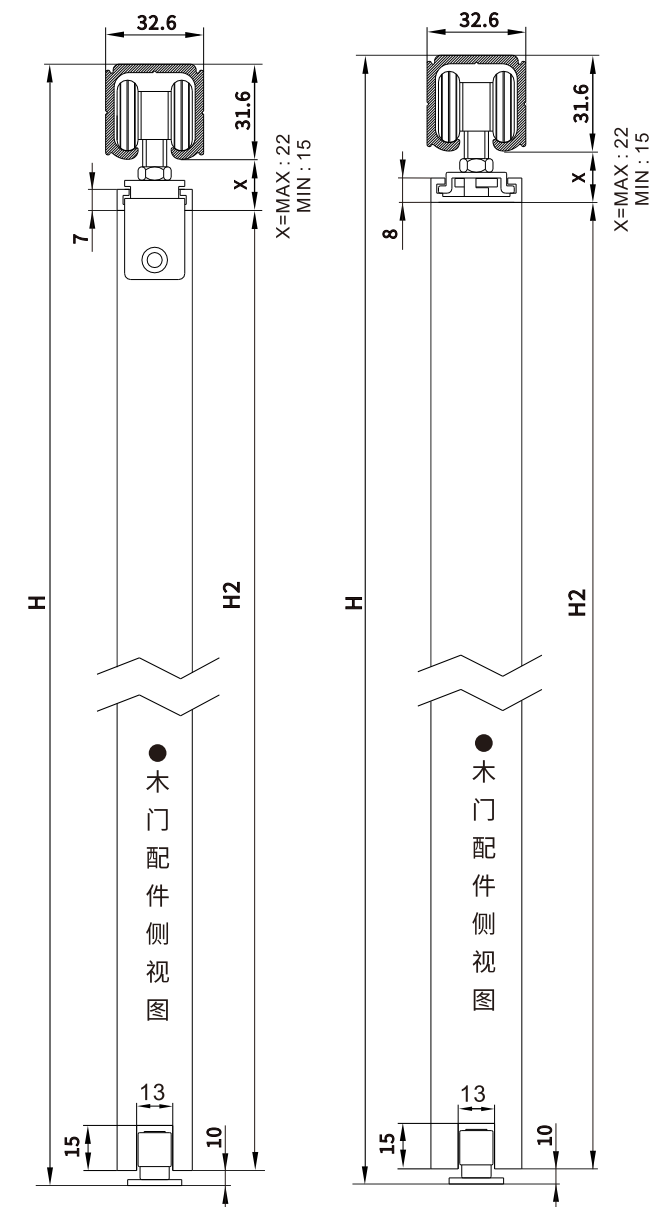
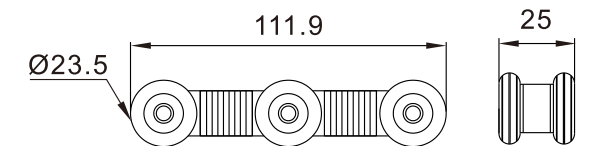


其他选配 Other options



产品参数 Product parameters

产品型号 Item NO.	635-6AC 插片 Insert	632-6A 自锁插片 Insert
承重(KG) Capacity	120	120
适用厚度(MM) Door thickness	≥25	≥30
门高公式(H2) Door height formula	H-31.6-X-10	



A413A / A411

材质及表面处理

Materials and finishes

- ▶ 导轨: 铝合金, 阳极氧化
Sliding track: Aluminum, Anodized
- ▶ 吊轮: 尼龙, 白色
Hanging roller: Nylon, white
- ▶ 吊码: 铁, 锌
Bracket: Iron, Zinc

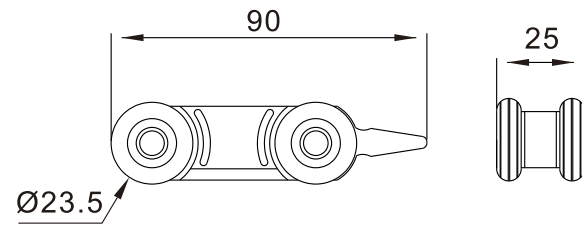
标准配置

Standard configuration



选配地导、导轨、装饰盖

Optional bottom guide, guide rail, decorative cover



产品参数 Product parameters

产品型号 Item NO.	承重(KG) Capacity	适用厚度(MM) Door thickness
A413A	40	25~45
A411	40	25~45

D444

材质及表面处理

Materials and finishes

- ▶ 导轨: 铝合金, 阳极氧化
Sliding track: Aluminum, Anodized
- ▶ 吊轮: 尼龙, 白色
Hanging roller: Nylon, white
- ▶ 吊码: 铁, 锌
Bracket: Iron, Zinc

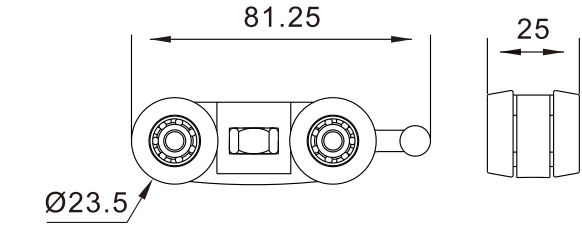
标准配置

Standard configuration



选配地导

Optional bottom guide



产品参数 Product parameters

产品型号 Item NO.	承重(KG) Capacity	适用厚度(MM) Door thickness
D444	60	25~45

435-24

材质及表面处理

Materials and finishes

- ▶ 导轨: 铝合金, 阳极氧化
Sliding track: Aluminum, Anodized
- ▶ 吊轮: 锌合金, 镜光
Hanging roller: Zinc alloy, PC
- ▶ 吊码: 铁, 锌
Bracket: Iron, Zinc

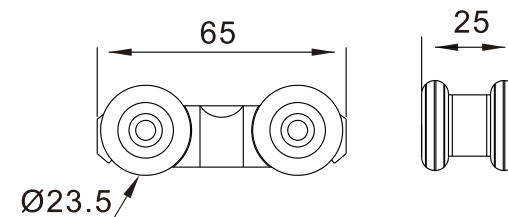
标准配置

Standard configuration



选配地导

Optional bottom guide



产品参数 Product parameters

产品型号 Item NO.	承重(KG) Capacity	适用厚度(MM) Door thickness
435-24	60	25~45

HL-003

材质及表面处理

Materials and finishes

- ▶ 导轨: 铝合金, 阳极氧化
Sliding track: Aluminum, Anodized
- ▶ 吊轮: 锌合金, 珍珠铬
Hanging roller: Zinc alloy, PC
- ▶ 吊码: 铁, 锌
Bracket: Iron, Zinc

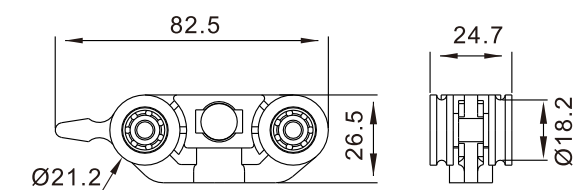
标准配置

Standard configuration



选配地导

Optional bottom guide



产品参数 Product parameters

产品型号 Item NO.	承重(KG) Capacity	适用厚度(MM) Door thickness
HL-003	60	25~45

重型滑轮

Heavy duty roller

材质及表面处理

Materials and finishes

- ▶ 导轨: 铝合金, 阳极氧化
Sliding track: Aluminum, Anodized
- ▶ 吊轮: 铝合金, 阳极氧化
Hanging roller: Aluminum, Anodized
- ▶ 玻璃夹(250mm): 铝合金, 阳极氧化喷砂
Glass clamp (120mm/150mm): Aluminum, Sand blasting

标准配置

Standard configuration



选配产品

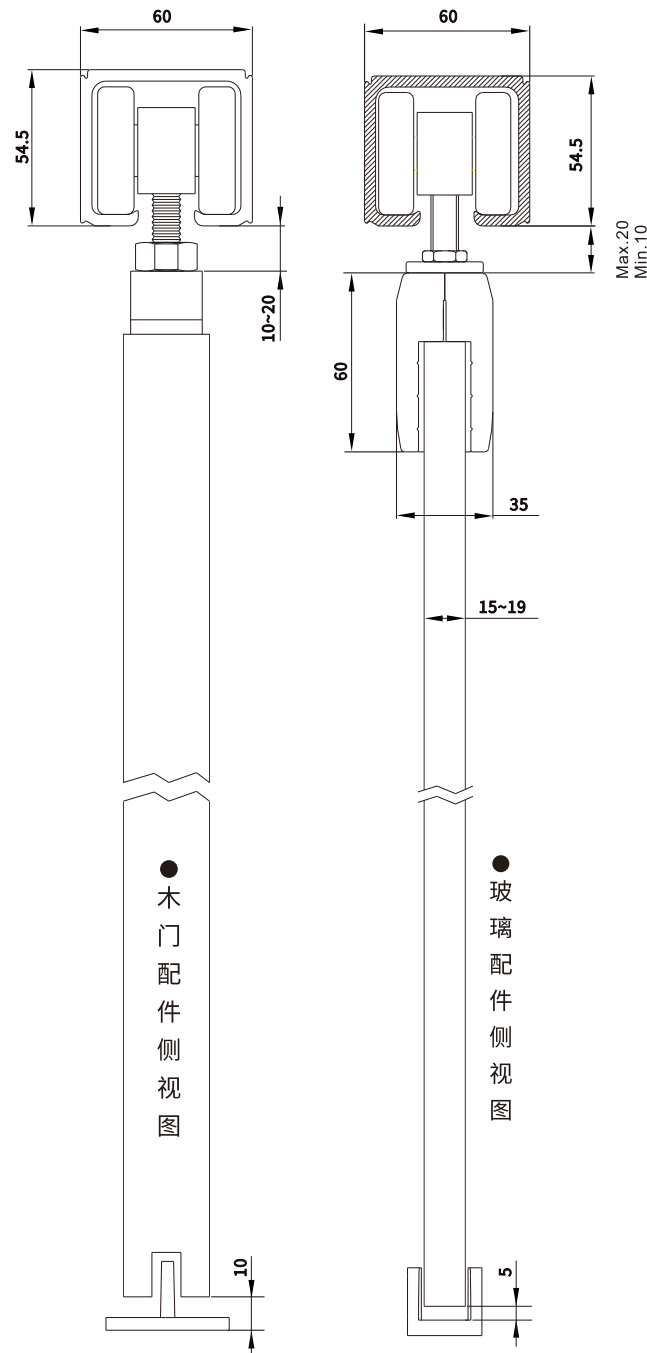
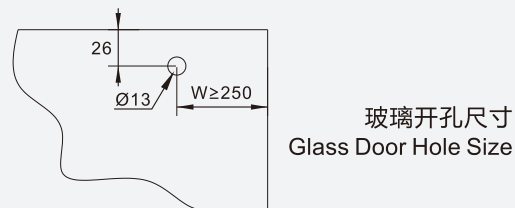
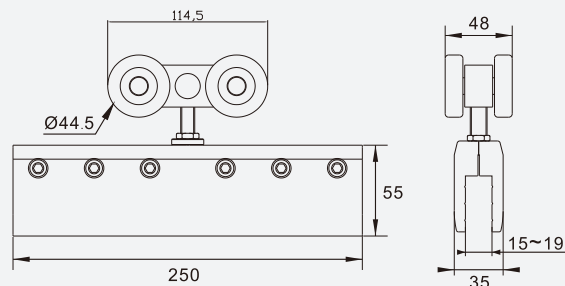
Accessories optional



产品参数

Product parameters

产品型号 Item NO.	承重(KG) Capacity	适用厚度(MM) Door thickness
HL-002	350	15~19
HL-020	250	35~50
HL-008	160	50



HL-023 无框玻璃门铝合金套装

HL-023 Aluminum sliding glass door roller kit

功能特性

Features

- ▶ 适用于单扇或多扇平移门
Suitable for single or multiple sliding doors
- ▶ 适用于家庭、酒店、写字楼等场所使用的平移门
Suitable for sliding doors for families, hotels, office buildings, etc.
- ▶ 平衡轮设计原理
Balance wheel design principle
- ▶ 手动推拉、两边定位、高低调节
Manual push and pull positioning on both sides to achieve balance
- ▶ 安装方便、运行顺畅、使用寿命长
Easy installation, smooth operation, long service life

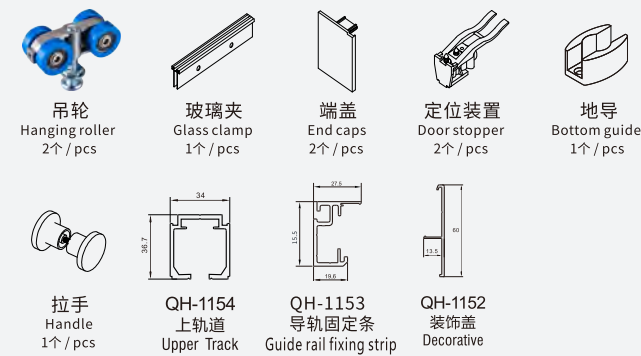
材质及表面处理

Materials and finishes

- ▶ 导轨: 不锈钢, 拉丝
Sliding track: Stainless steel, SS
- ▶ 吊轮: 铝合金, 阳极氧化
Hanging roller: Aluminum, Anodized

标准配置

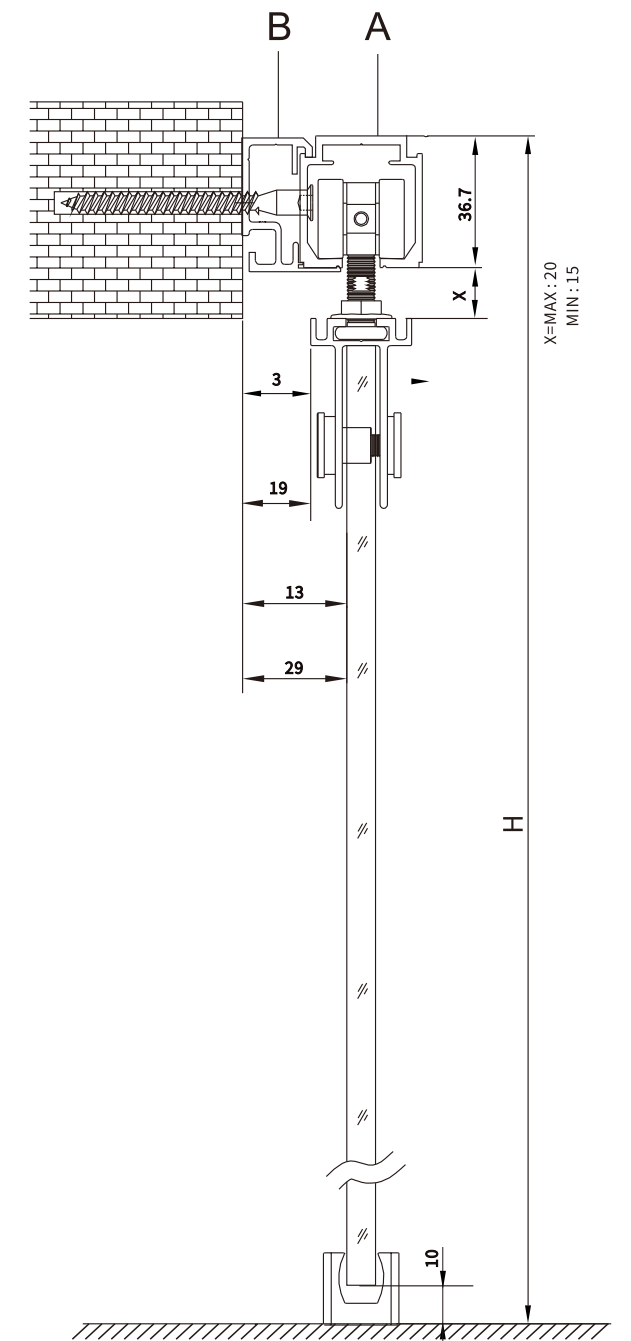
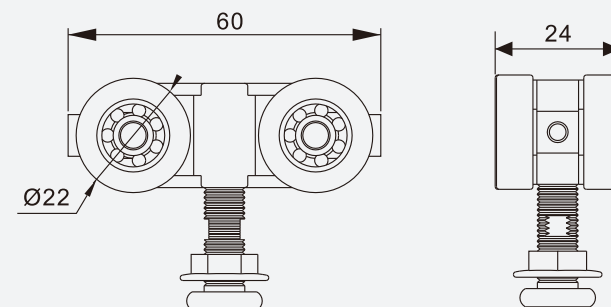
Standard configuration

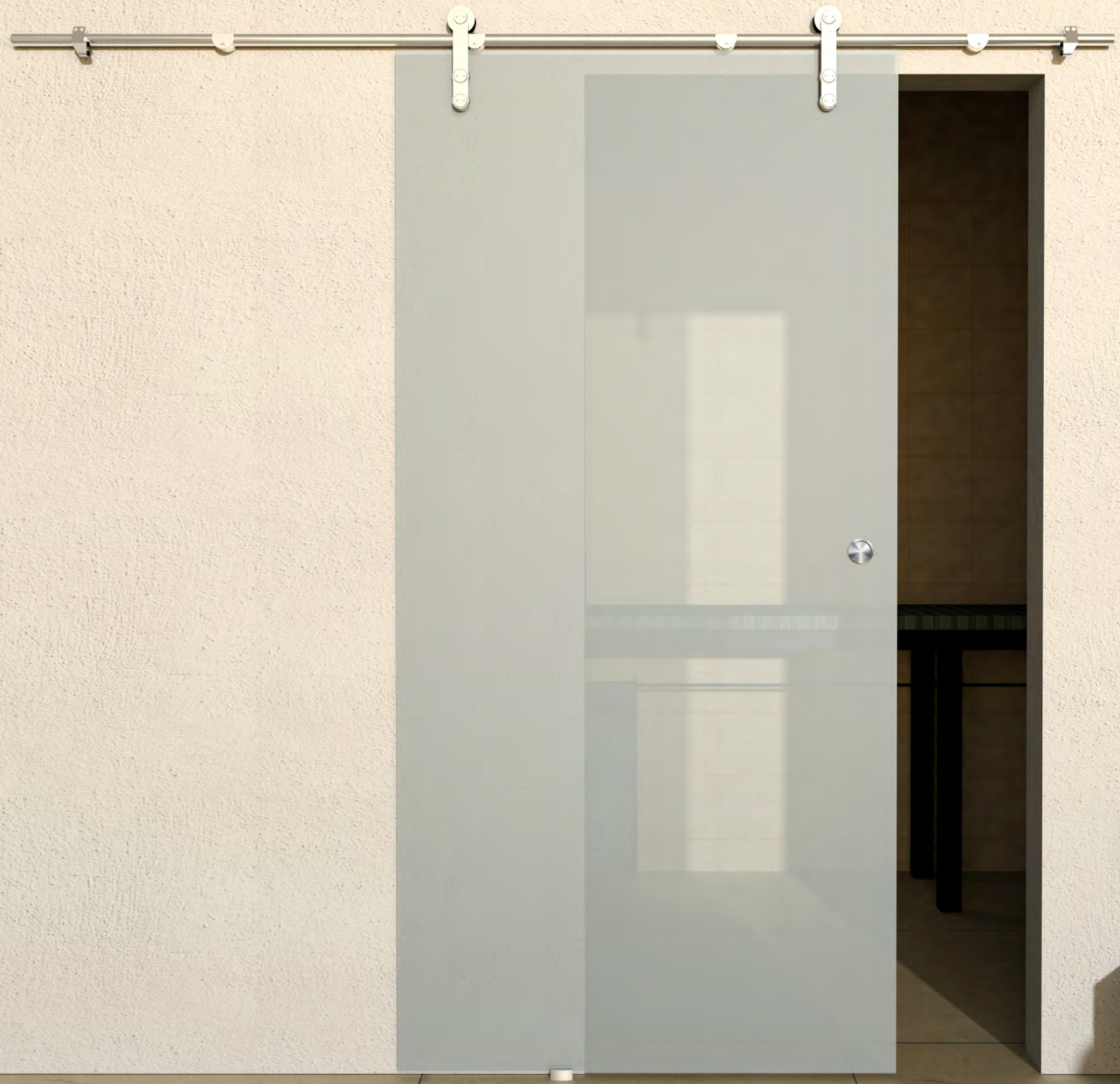


产品参数

Product parameters

产品型号 Item NO.	承重(KG) Capacity	适用厚度(MM) Door thickness	门高公式(H2) Door height formula
HL-023	60	8	H-36.7-X-10





HL-019 无框玻璃门不锈钢套装

HL-019 Stainless steel sliding glass door roller kit

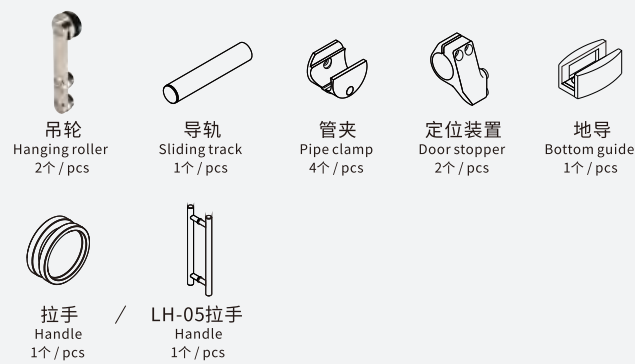
功能特性 Features

- 适用于单扇或多扇平移门
Suitable for single or multiple sliding doors
- 适用于家庭、酒店、写字楼等场所使用的平移门
Suitable for sliding doors for families, hotels, office buildings, etc.
- 平衡轮设计原理
Balance wheel design principle
- 手动推拉、两边定位、高低调节
Manual push and pull positioning on both sides to achieve balance
- 安装方便、运行顺畅、使用寿命长
Easy installation, smooth operation, long service life

材质及表面处理 Materials and finishes

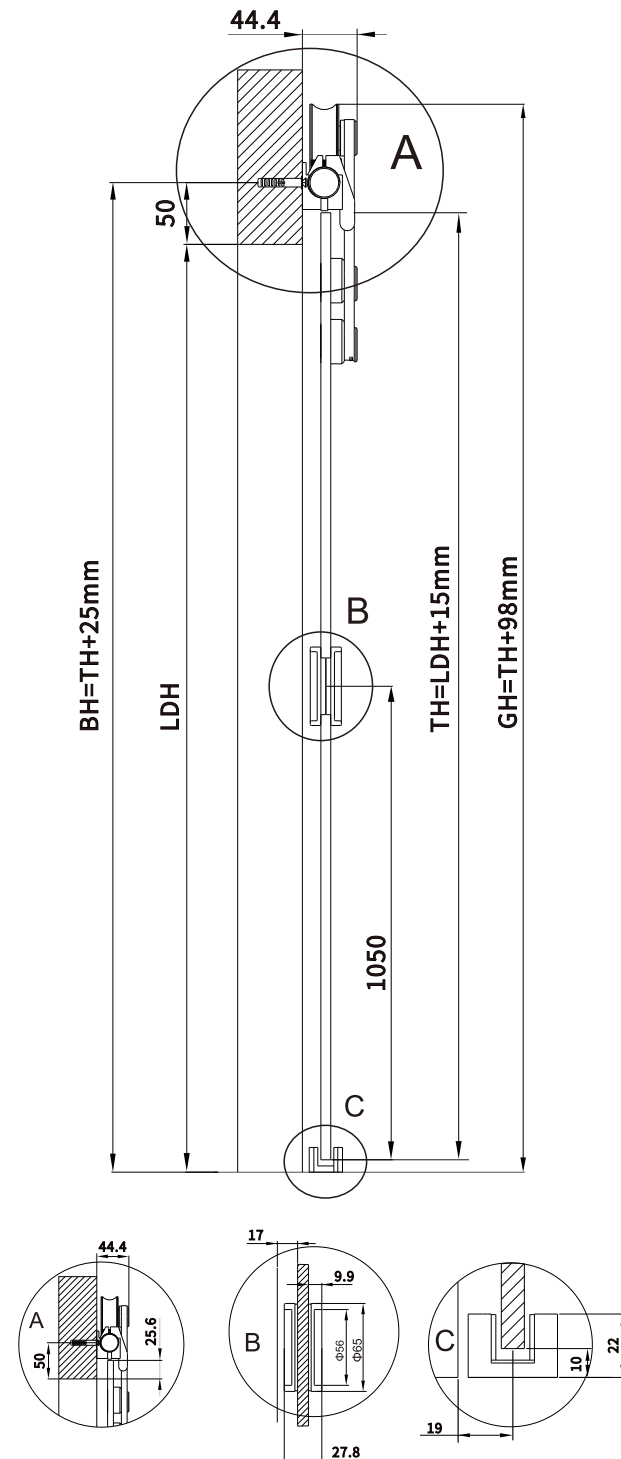
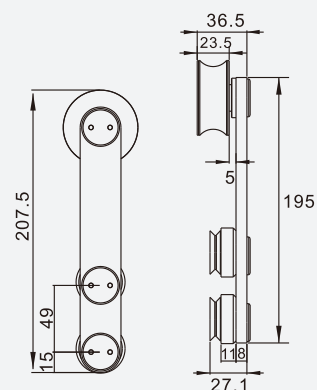
- 导轨: 不锈钢, 拉丝
Sliding track: Stainless steel, SS
- 吊轮: 不锈钢, 拉丝
Hanging roller: Stainless steel, SS

标准配置 Standard configuration



产品参数 Product parameters

产品型号 Item NO.	承重(KG) Capacity	适用厚度(MM) Door thickness	门高公式(TH) Door height formula
HL-019	80	8~10	LDH+15



HL-064 无框玻璃门铝合金套装

HL-064 Aluminum sliding glass door roller kit

功能特性 Features

- 适用于单扇或多扇平移门
Suitable for single or multiple sliding doors
- 适用于家庭、酒店、写字楼等场所使用的平移门
Suitable for sliding doors for families, hotels, office buildings, etc.
- 平衡轮设计原理
Balance wheel design principle
- 手动推拉、两边定位、高低调节
Manual push and pull positioning on both sides to achieve balance
- 安装方便、运行顺畅、使用寿命长
Easy installation, smooth operation, long service life

材质及表面处理 Materials and finishes

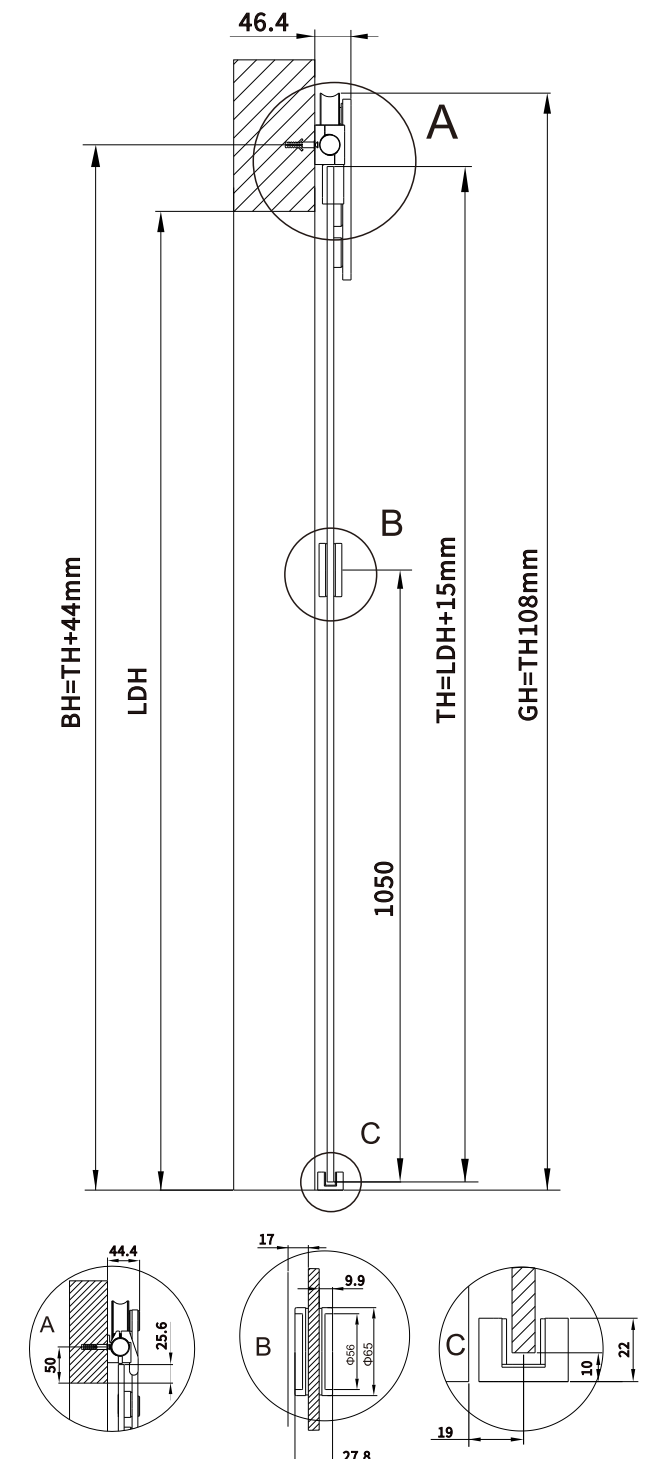
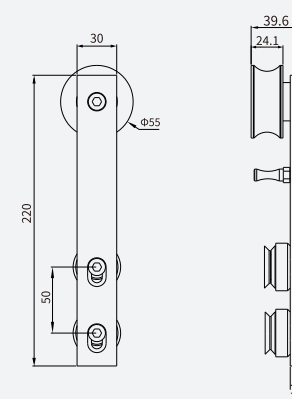
- 导轨: 不锈钢, 拉丝
Sliding track: Stainless steel, SS
- 吊轮: 铝合金, 阳极氧化
Hanging roller: Aluminum, Anodized

标准配置 Standard configuration



产品参数 Product parameters

产品型号 Item NO.	承重(KG) Capacity	适用厚度(MM) Door thickness	门高公式(TH) Door height formula
HL-064	80	8~10	LDH+15



HL-031 无框玻璃门铝合金套装

HL-019 Stainless steel sliding glass door roller kit

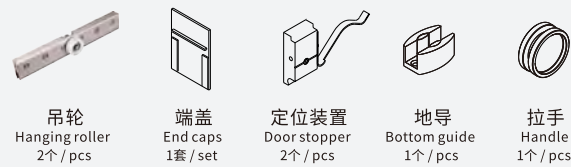
功能特性 Features

- 适用于单扇或多扇平移门
Suitable for single or multiple sliding doors
- 适用于家庭、酒店、写字楼等场所使用的平移门
Suitable for sliding doors for families, hotels, office buildings, etc.
- 平衡轮设计原理
Balance wheel design principle
- 手动推拉、两边定位、高低调节
Manual push and pull positioning on both sides to achieve balance
- 安装方便、运行顺畅、使用寿命长
Easy installation, smooth operation, long service life

材质及表面处理 Materials and finishes

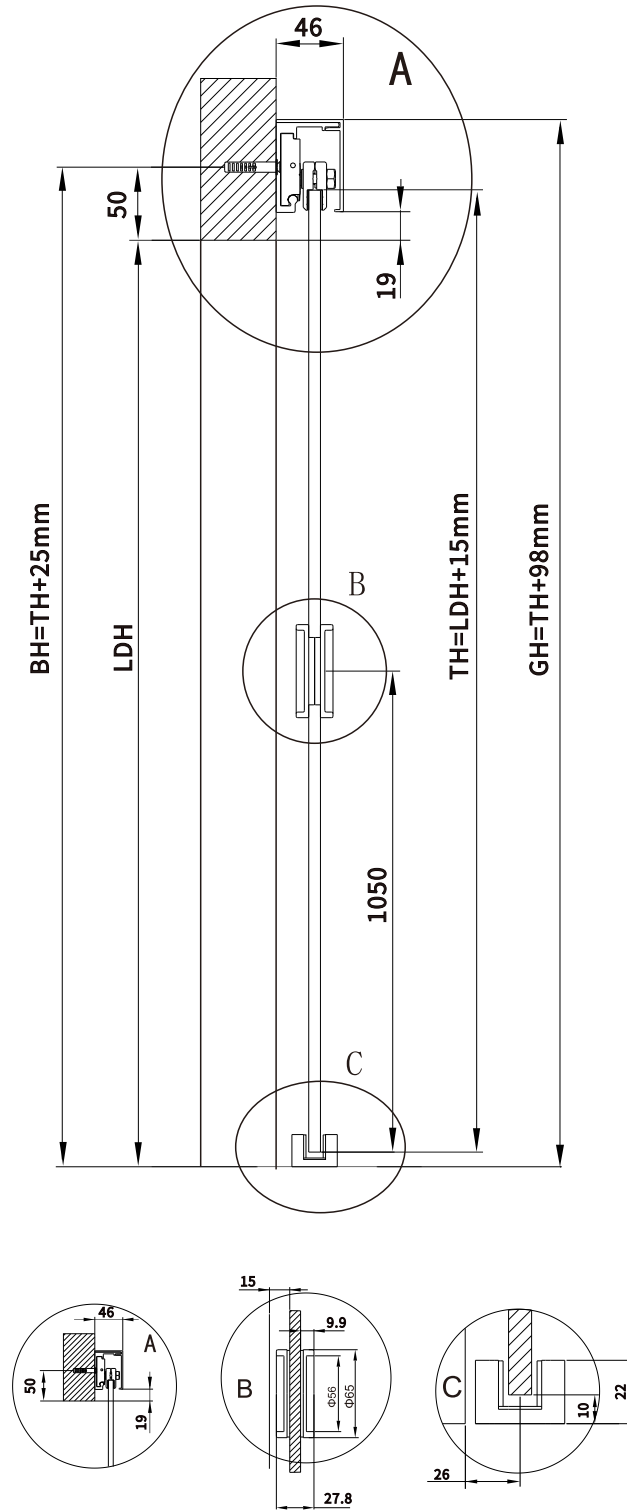
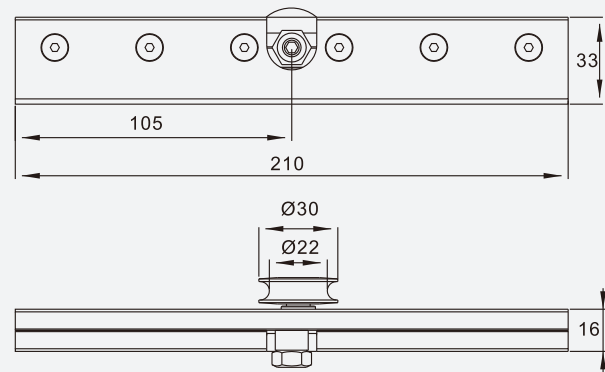
- 导轨: 铝合金, 阳极氧化
Sliding track: Aluminum, Anodized
- 吊轮: 铝合金, 阳极氧化
Hanging roller: Aluminum, Anodized

标准配置 Standard configuration



产品参数 Product parameters

产品型号 Item NO.	承重(KG) Capacity	适用厚度(MM) Door thickness	门高公式 (TH) Door height formula
HL-031	60	6~8 8~10	LDH+24



HL-052 无框玻璃门铝合金阻尼套装

HL-052 Aluminum Soft close sliding glass door roller kit

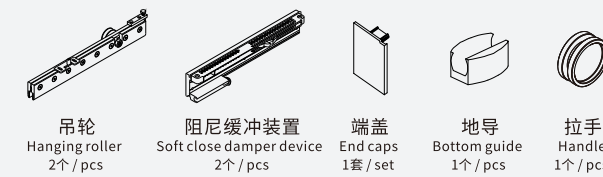
功能特性 Features

- 适用于单扇或多扇平移门
Suitable for single or multiple sliding doors
- 适用于家庭、酒店、写字楼等场所使用的平移门
Suitable for sliding doors for families, hotels, office buildings, etc.
- 平衡轮设计原理
Balance wheel design principle
- 手动推拉、两边定位、高低调节
Manual push and pull positioning on both sides to achieve balance
- 安装方便、运行顺畅、使用寿命长
Easy installation, smooth operation, long service life

材质及表面处理 Materials and finishes

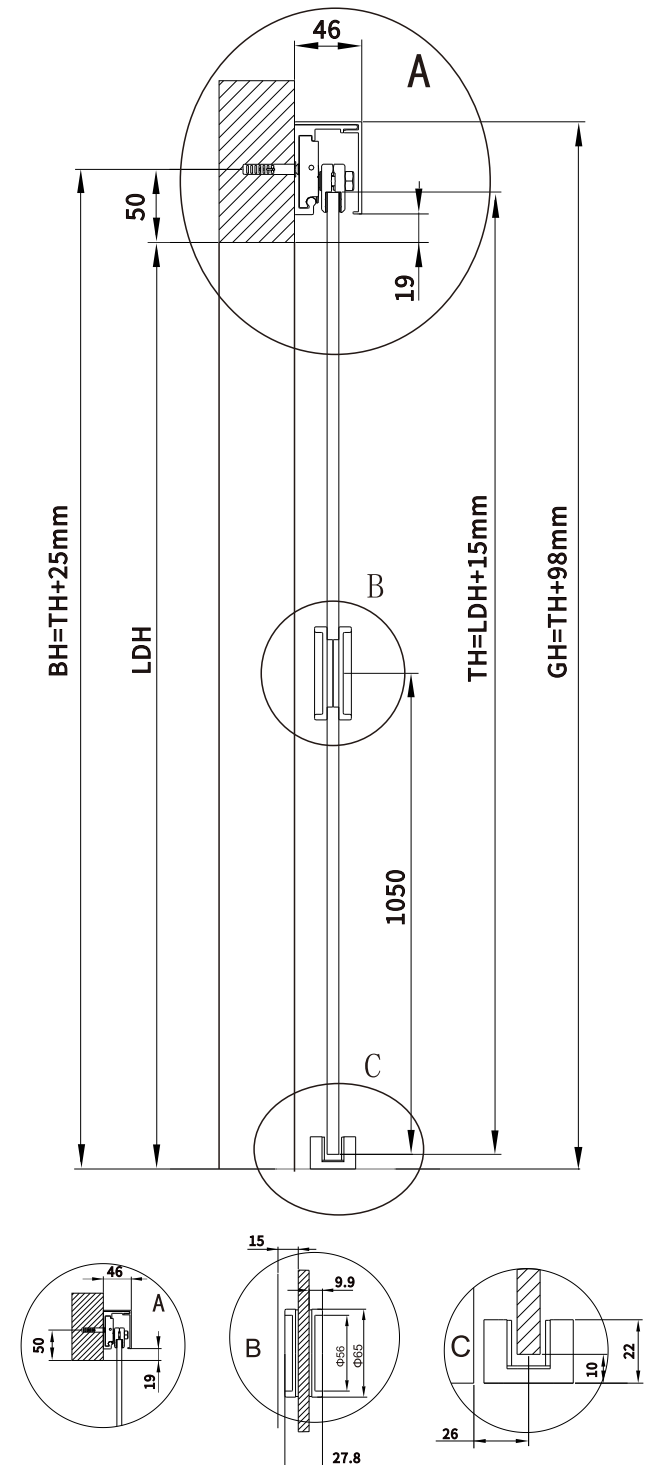
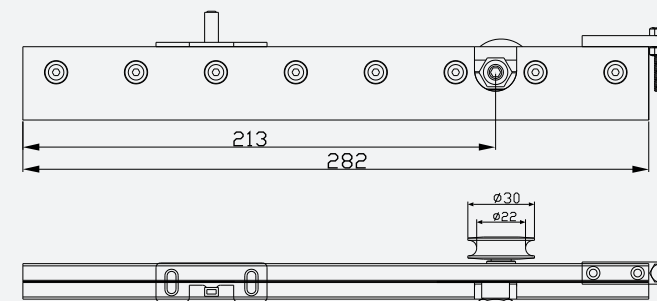
- 导轨: 铝合金
Sliding track: Aluminum
- 吊轮: 铝合金, 阳极氧化
Hanging roller: Aluminum, Anodized

标准配置 Standard configuration



产品参数 Product parameters

产品型号 Item NO.	承重(KG) Capacity	适用厚度(MM) Door thickness	门高公式 (TH) Door height formula
HL-052	60	6~8 8~10	LDH+24



HL-081 木门不锈钢套装

HL-081 Stainless steel sliding wood door roller kit

功能特性 Features

- 适用于单扇或多扇平移门
Suitable for single or multiple sliding doors
- 适用于家庭、酒店、写字楼等场所使用的平移门
Suitable for sliding doors for families, hotels, office buildings, etc.
- 平衡轮设计原理
Balance wheel design principle
- 手动推拉、两边定位、高低调节
Manual push and pull positioning on both sides to achieve balance
- 安装方便、运行顺畅、使用寿命长
Easy installation, smooth operation, long service life

材质及表面处理 Materials and finishes

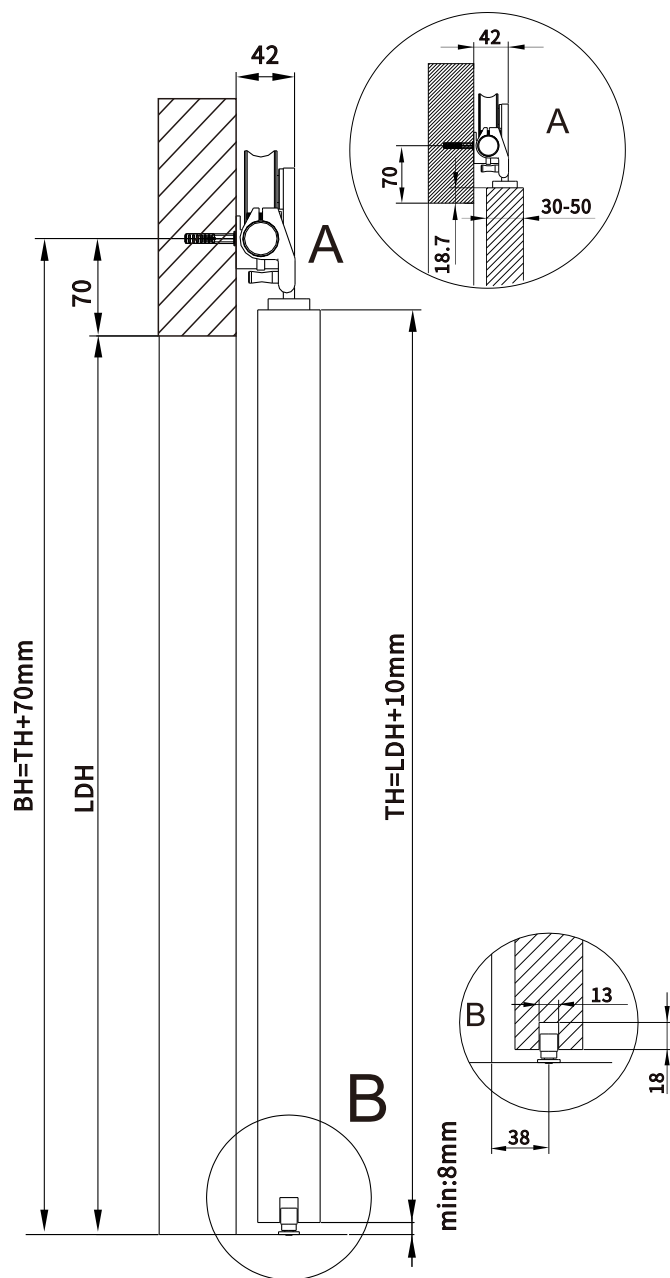
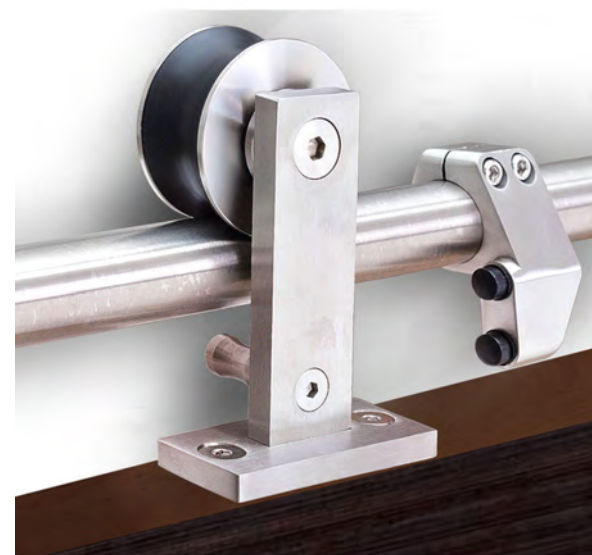
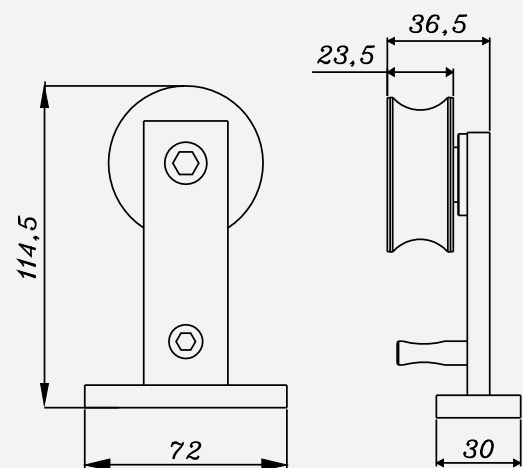
- 导轨: 不锈钢, 拉丝
Sliding track: Stainless steel, SS
- 吊轮: 不锈钢, 拉丝
Hanging roller: Stainless steel, SS

标准配置 Standard configuration



产品参数 Product parameters

产品型号 Item NO.	承重(KG) Capacity	适用厚度(MM) Door thickness	门高公式 (TH) Door height formula
HL-081	150	30~45	LDH+10



HL-065 木门铝合金套装

HL-065 Aluminum sliding wood door roller kit

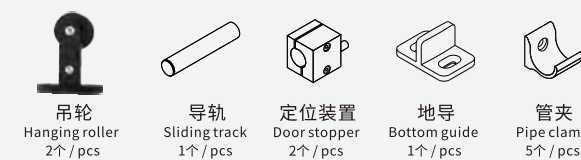
功能特性 Features

- 适用于单扇或多扇平移门
Suitable for single or multiple sliding doors
- 适用于家庭、酒店、写字楼等场所使用的平移门
Suitable for sliding doors for families, hotels, office buildings, etc.
- 平衡轮设计原理
Balance wheel design principle
- 手动推拉、两边定位、高低调节
Manual push and pull positioning on both sides to achieve balance
- 安装方便、运行顺畅、使用寿命长
Easy installation, smooth operation, long service life

材质及表面处理 Materials and finishes

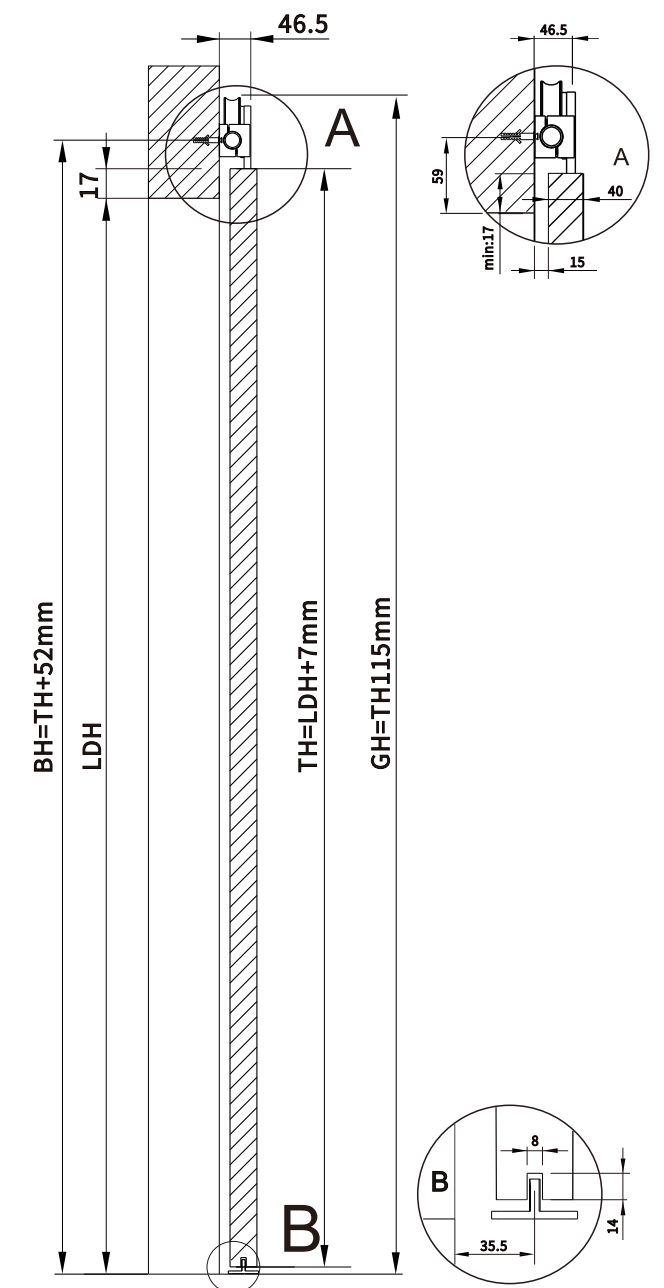
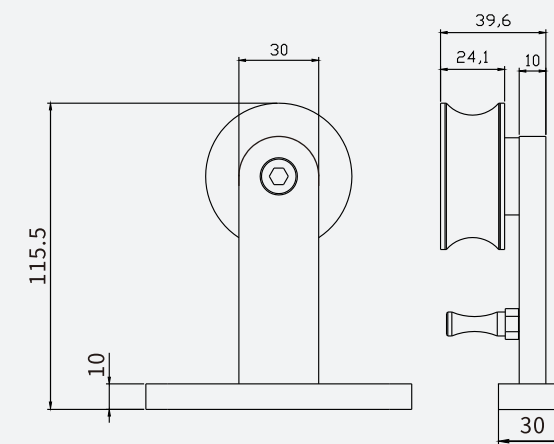
- 导轨: 铝合金, 拉丝
Sliding track: Aluminum, SS
- 吊轮: 铝合金, 阳极氧化
Hanging roller: Aluminum, Anodize

标准配置 Standard configuration

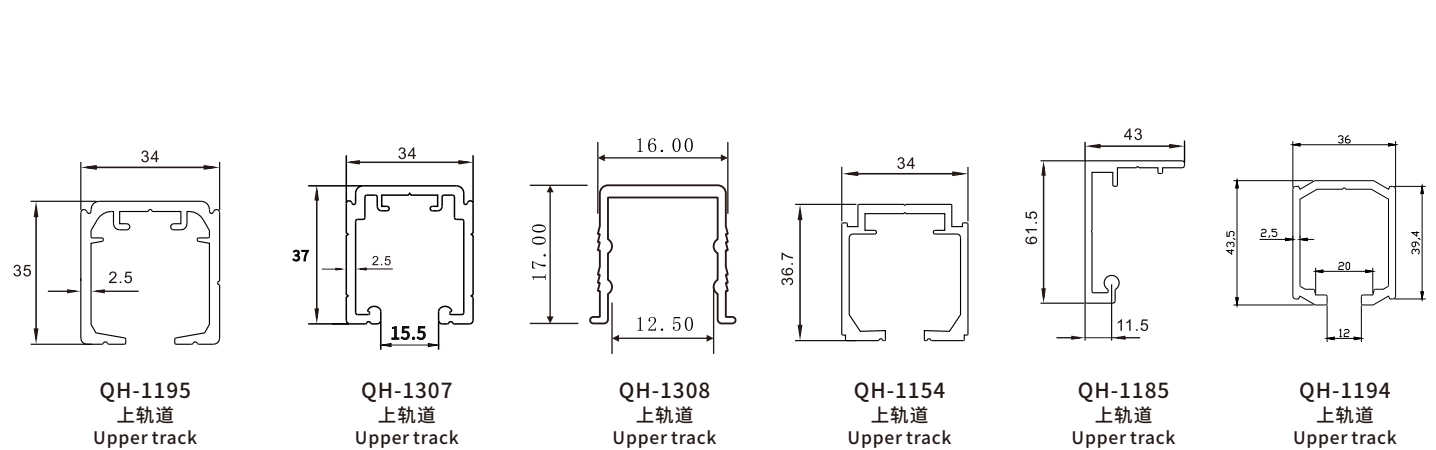
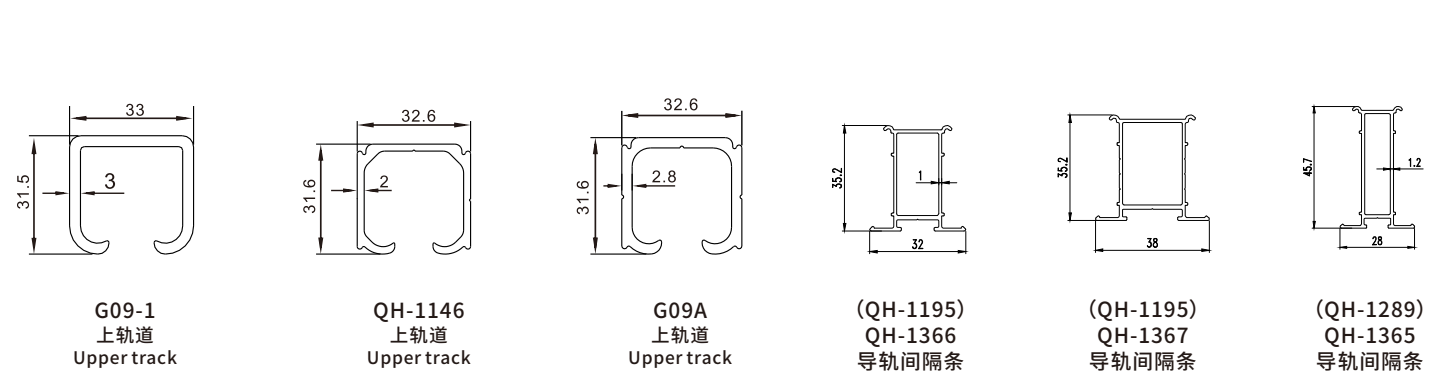
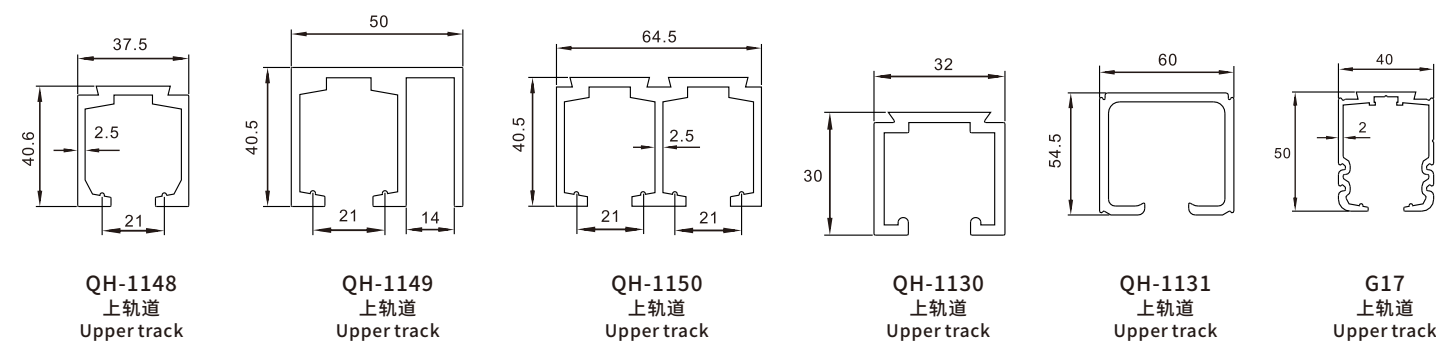
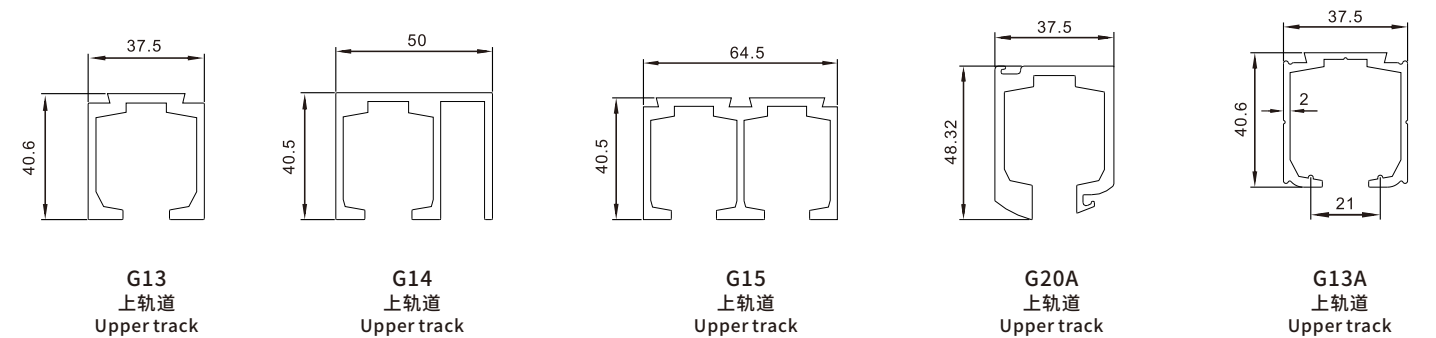


产品参数 Product parameters

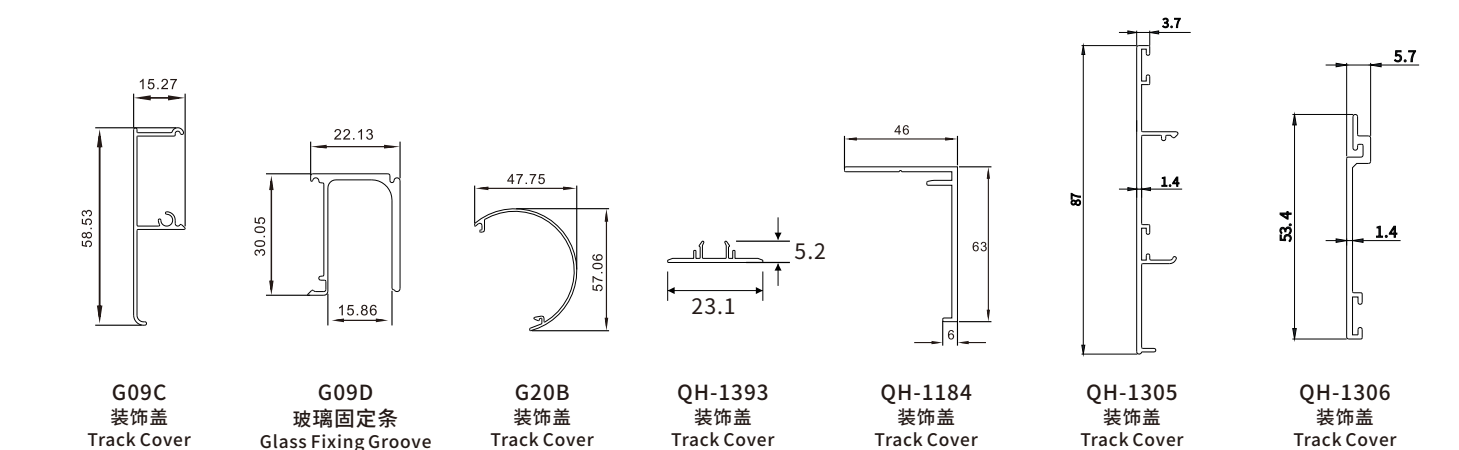
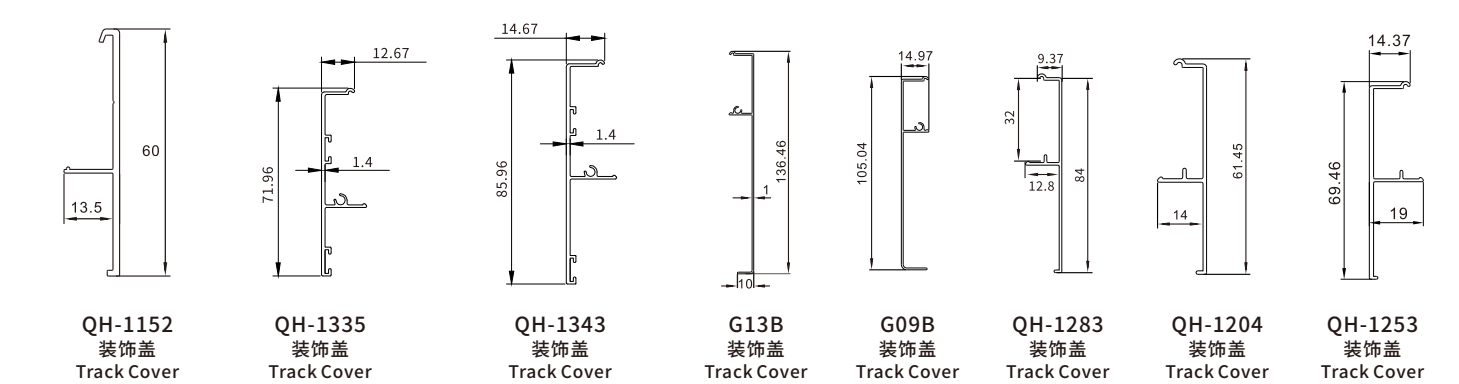
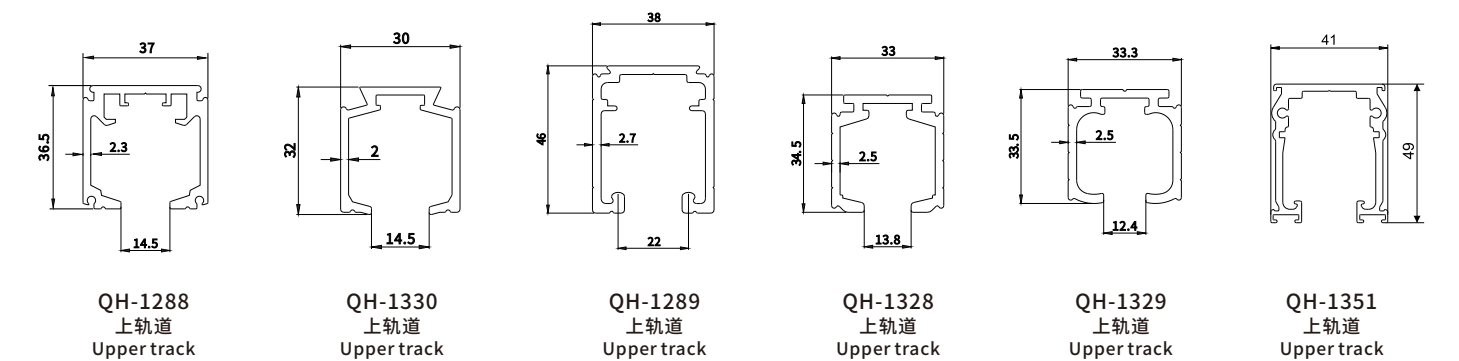
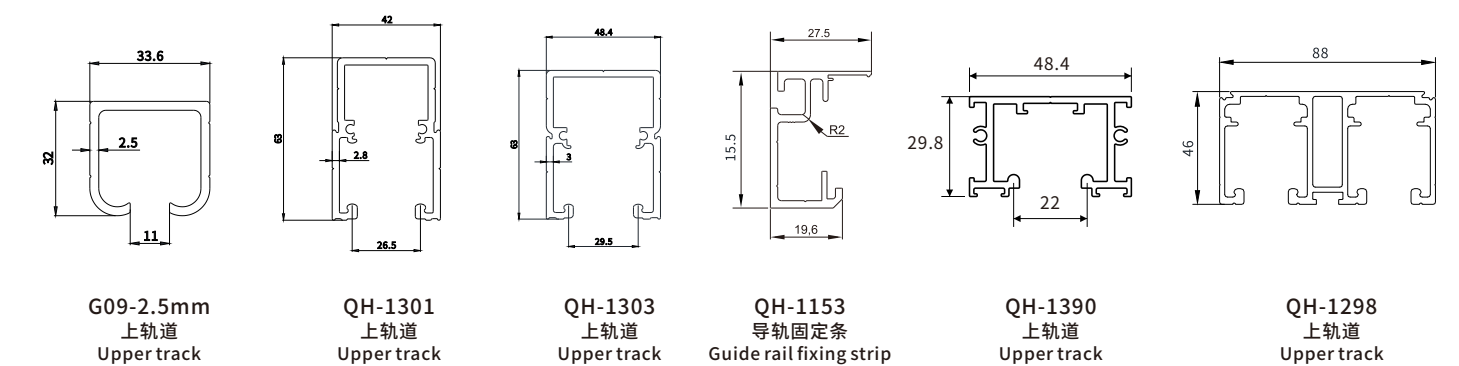
产品型号 Item NO.	承重(KG) Capacity	适用厚度(MM) Door thickness	门高公式 (TH) Door height formula
HL-065	80	25~50	LDH+7



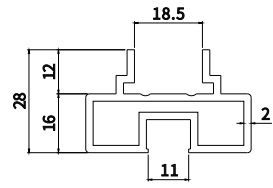
选配产品
Accessories Optional



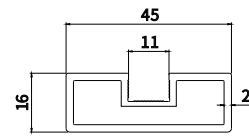
选配产品
Accessories Optional



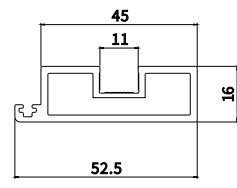
选配产品
Accessories Optional



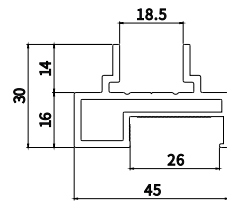
4516上框
horizontal profile



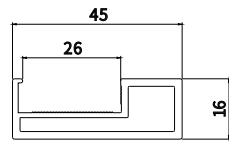
4516光企
vertical profile



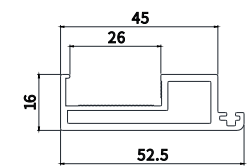
4516勾企
Vertical profile
with hook up



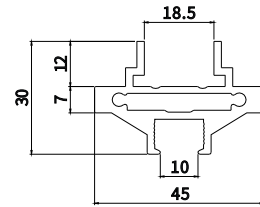
4516中空门上框
Hollow door
horizontal profile



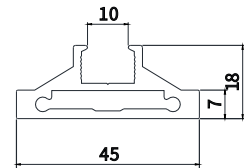
4516中空门光企
Hollow door
vertical profile



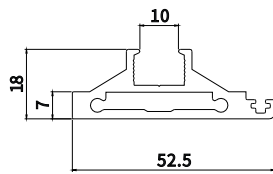
4516中空门勾企
Hollow door
vertical profile with hook up



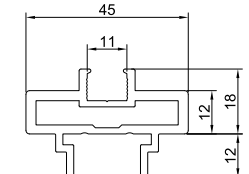
4507上框
horizontal profile



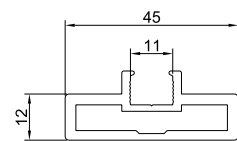
4507光企
vertical profile



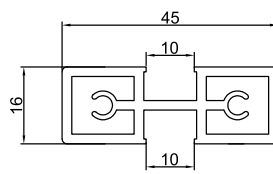
4507勾企
Vertical profile
with hook up



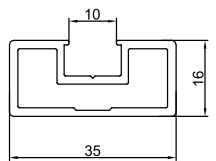
4512上框
horizontal profile



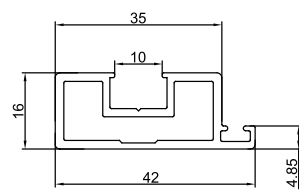
4512光企
vertical profile



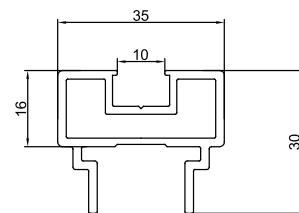
4516边框隔条
Partition Profile



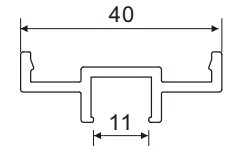
3516光企
vertical profile



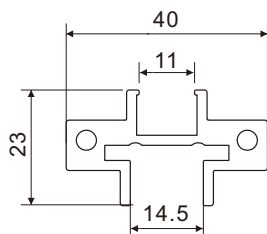
3516勾企
Vertical profile
with hook up



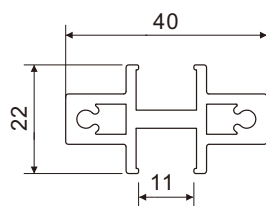
3516上框
horizontal profile



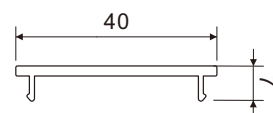
4010光企
vertical profile



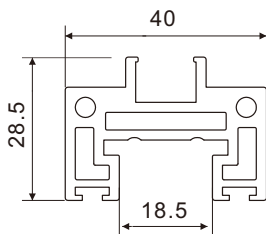
4010上下框
horizontal profile



4010间隔条
Spacer bar

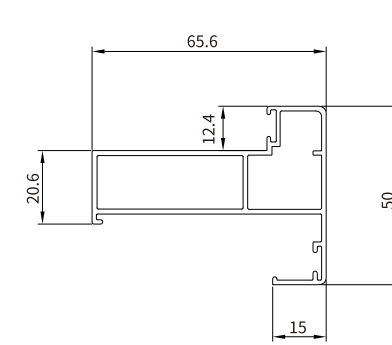


4010光企装饰盖
Track Cover

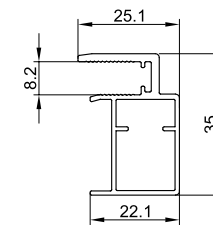


40x28.5上下框
horizontal profile

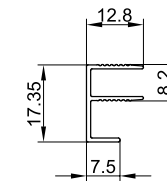
选配产品
Accessories Optional



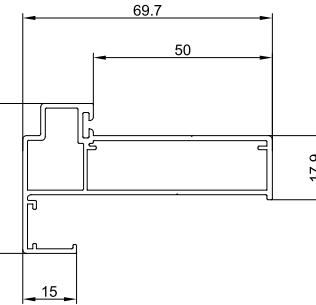
QH-1350



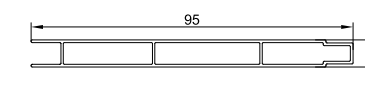
H1492



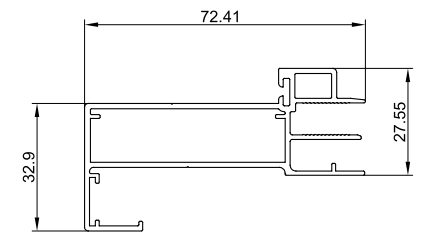
H1493



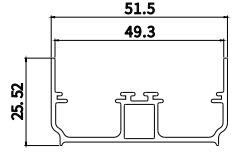
H1490



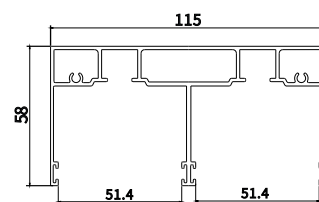
H1125



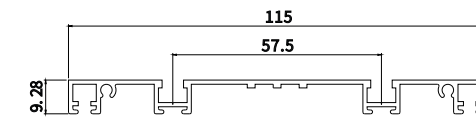
H1491



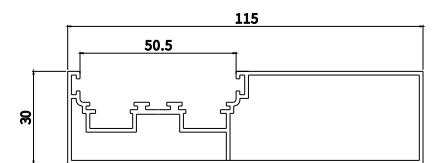
边框收口
Bezel closure



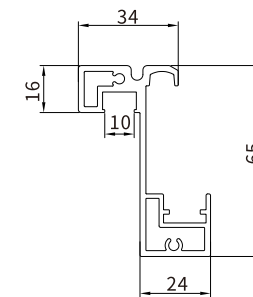
推拉门两轨上轨
Sliding door double upper track



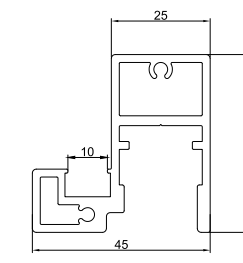
推拉门两轨下轨
Sliding door double bottom rail



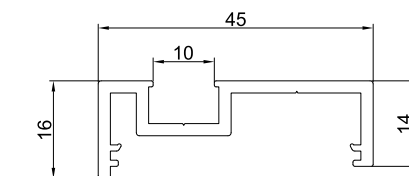
推拉门边封
Sliding door side seal



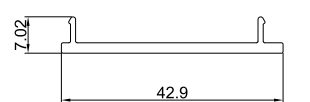
QH-1346上轨道
Upper Track



QH-1347下轨道
Lower Orbi



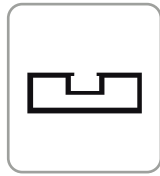
QH-1348竖边框
Vertical Border



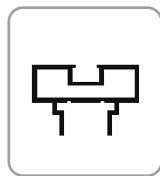
QH-1349装饰盖
Track cover

极窄+地轴配置方式

Slim Profile + Ground Shaft Configuration Method



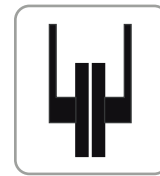
极窄光启型材
4516 Slim Vertical Profile Frame



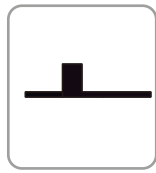
极窄上框型材
4516 Slim Horizontal Profile Frame



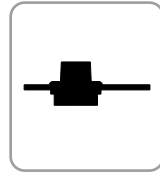
角码
Profile Connector



极窄玻璃锁
Slim Profile Door Lock



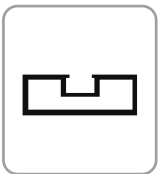
顶轴
Top Axis



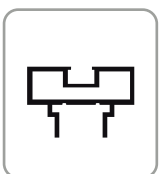
地轴
Ground Shaft

极窄+气动地弹簧配置方式

Slim Profile + Pneumatic Floor Spring Configuration Method



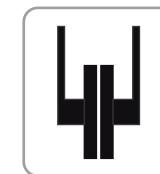
极窄光启型材
4516 Slim Vertical Profile Frame



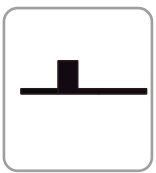
极窄上框型材
4516 Slim Horizontal Profile Frame



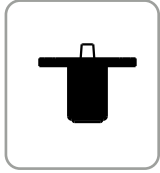
角码
Profile Connector



极窄玻璃锁
Slim Profile Door Lock



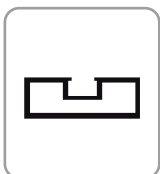
顶轴
Top Axis



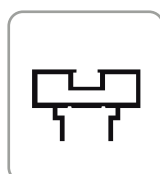
气动地弹簧
Pneumatic Floor Spring

极窄+地弹簧配置方式

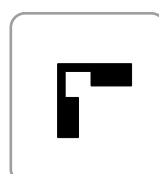
Slim Profile + Floor Spring Configuration Method



极窄光启型材
4516 Slim Vertical Profile Frame



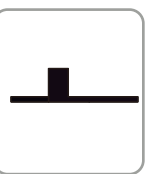
极窄上框型材
4516 Slim Horizontal Profile Frame



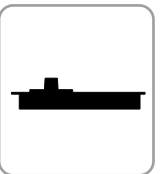
角码
Profile Connector



极窄玻璃锁
Slim Profile Door Lock



顶轴
Top Axis

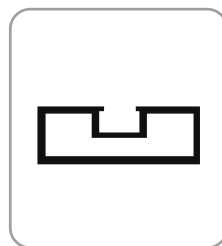


地弹簧
Floor Spring

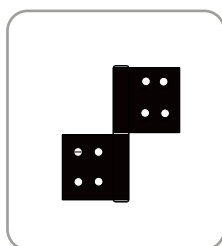


极窄+旗舰合页配置方式

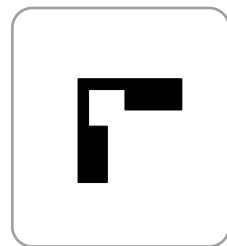
Slim Profile + Flag Hinge Configuration Method



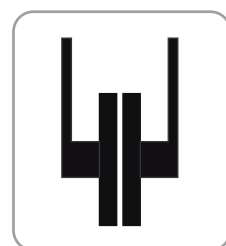
极窄光启型材
4516 Slim Vertical Profile Frame



旗舰合页
Flag Hinge



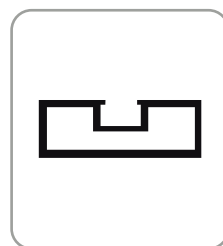
角码
Profile Connector



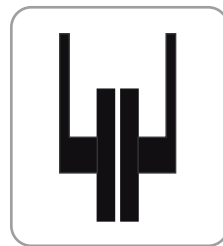
极窄玻璃锁
Sliding Door Lock

极窄+侧隐合页配置方式

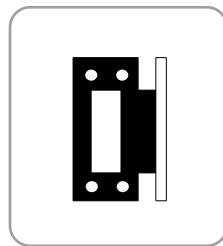
Slim Profile + Side Hidden Hinge Configuration Method



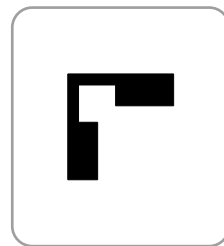
极窄光启型材
4516 Slim Vertical Profile Frame



极窄玻璃锁
Sliding Door Lock



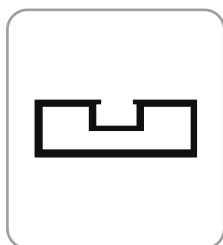
侧隐合页
Side Hidden Hinge



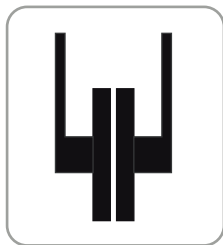
角码
Profile Connector

极窄+天地合页配置方式

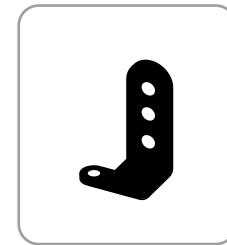
Slim Profile + Povit Rotating Hinge Configuration Method



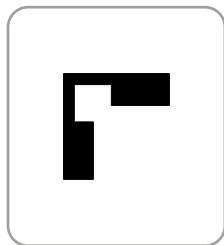
极窄光启型材
4516 Slim Vertical Profile Frame



极窄玻璃锁
Sliding Door Lock



天地合页
Povit Rotating Hinge

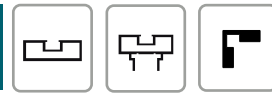


角码
Profile Connector



极窄边框型材系列

Slim Profile Sliding Door Configuration

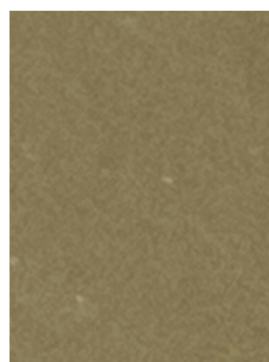


 3516光企 vertical profile	 4516上下框 horizontal profile	 3516上下框 horizontal profile	 4516光企 vertical profile	 3516勾企 Vertical profile with hook up	 40x28.5上下框 horizontal profile
 4507勾企 Vertical profile with hook up	 4507光企 vertical profile	 4516勾企 Vertical profile with hook up	 4507上下框 horizontal profile	 4010光企装饰盖 vertical profile Track Cover	 4010光企 vertical profile
 4512光企 vertical profile	 4512上框 horizontal profile	 4516边框隔条 Partition Profile	 4010上下框 horizontal profile	 4010间隔条 Spacer bar	
 4507角码 4507 Slim Profile Connector	 4516角码 4516 Slim Profile Connector		 1350角码 1350 Slim Profile Connector	 4516角码 4516 Slim Profile Connector	

可选氧化颜色:
Available Oxidized Colors



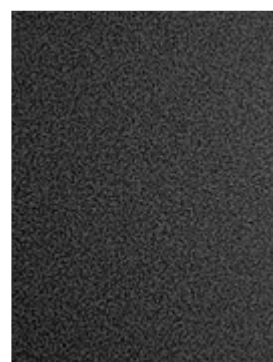
拉丝金色
Gold



香槟
Champagne



灰色
Grey



哑黑色
Matt black

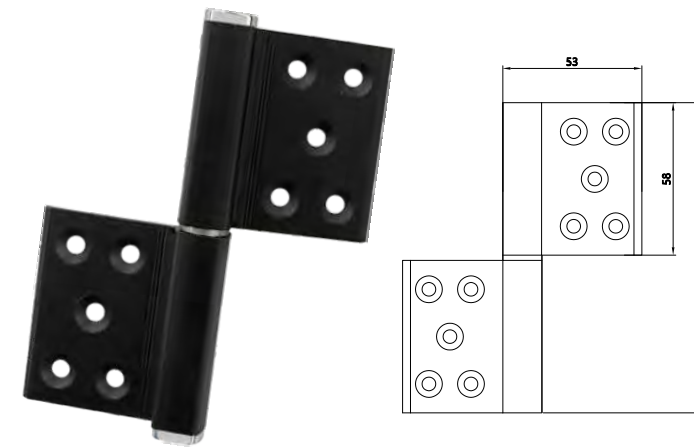
旗舰合页

Flag Hinge



QH-HY-501

材质: 铝合金	Material: Al
适用型材: 3516/4516光启	Suitable for: 3516/4516 slim vertical profile frames
叶片厚度: 2.8mm	Thickness: 2.8mm
轴直径: 10mm钢轴	Shaft Diameter: 10mm Steel
承重: 80kg	Capacity: 80kg
表面处理: 氧化/喷涂	Finish: Anodized/Powder coating

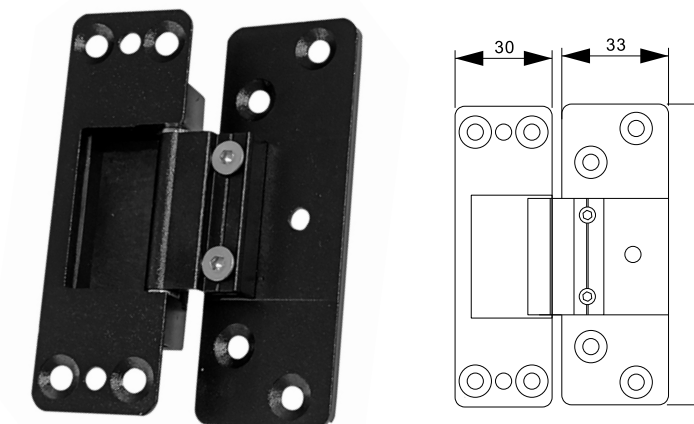


侧隐合页

Side Hidden Hinge

QH-HY-505

材质: 铝合金	Material: Al
适用型材: 3516/4516光启	Suitable for: 3516/4516 slim vertical profile frames
叶片厚度: 2.0mm	Thickness: 2.0mm
承重: 40kg	Capacity: 40kg
产品特点: 隐藏安装	Product Feature: Concealed installation
表面处理: 氧化	Finish: Anodized/Powder coating



天地合页系列

Pivot Rotating Hinge

QH-HY-503

材质: 不锈钢	Material: Stainless steel
适用型材: 3516/4516光启	Suitable for: 3516/4516 slim vertical profile frames
承重: 60kg	Capacity: 60kg
安装方式: 不分左右安装	Installation Method: Suitable for both left side and right side installation
产品特点: 隐藏安装	Product Feature: Concealed installation



气动地弹簧系列

Pneumatic Floor Spring Series



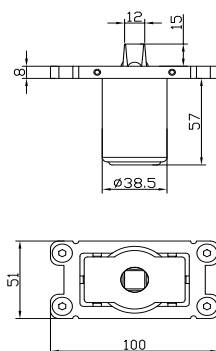
QH-DFSNN-40

标准配置表 Standard Configuration

主要材质 Main Material	不锈钢 Stainless Steel
开启测试 Open Test	>50万次 >500,000 times
主体结构 Main Structure	单缸 Single Cylinder
定位形式 Positioning Form	0°&115°定位/不定位 Locate /Not Locate
适用温度 Proper Temperature	-20-45° C
最大开启角度 Max Opening Angle	360°
关门速度 Closing speed	3-5S

适用范围 Scope of application	木门 Wood door	金属门 Metal Door
	玻璃门 Glass Door	有框门 Frame Door
产品力号 Force Number of Product	1. 20-40kg	2. 40-70kg
	3. 70-140kg	4. 140-200kg
最大门宽 Max Door Weight (mm)	1200	
最大门重 Max Door Weight (kg)	135	
可选配件 Optional Accessories	中心安装臂组配件 Center Installation Arm Parts	
	偏心安装臂组配件 Eccentric Installation Arm Parts	
	玻璃门夹配件 Glass door clip accessories	

可选功能与尺寸 Optional Features And Dimensions



QH-DFS-40

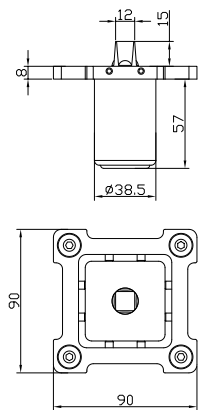
标准配置表 Standard Configuration

主要材质 Main Material	不锈钢 Stainless Steel
开启测试 Open Test	>50万次 >500,000 times
主体结构 Main Structure	单缸 Single Cylinder
定位形式 Positioning Form	0°&115°定位/不定位 Locate /Not Locate
适用温度 Proper Temperature	-20-45° C
最大开启角度 Max Opening Angle	360°
关门速度 Closing speed	3-5S

适用范围 Scope of application	木门 Wood door	金属门 Metal Door
	玻璃门 Glass Door	有框门 Frame Door
产品力号 Force Number of Product	1. 20-40kg	2. 40-70kg
	3. 70-140kg	4. 140-200kg
最大门宽 Max Door Weight (mm)	1200	
最大门重 Max Door Weight (kg)	200	
可选配件 Optional Accessories	中心安装臂组配件 Center Installation Arm Parts	
	偏心安装臂组配件 Eccentric Installation Arm Parts	
	玻璃门夹配件 Glass door clip accessories	



可选功能与尺寸 Optional Features And Dimensions



地轴系列

Floor Spring Series



QH-211A地轴 Ground Shaft



QH-211B顶轴 Top Shaft



超薄型设计底座仅10mm减少地面开孔深度,是安装方便

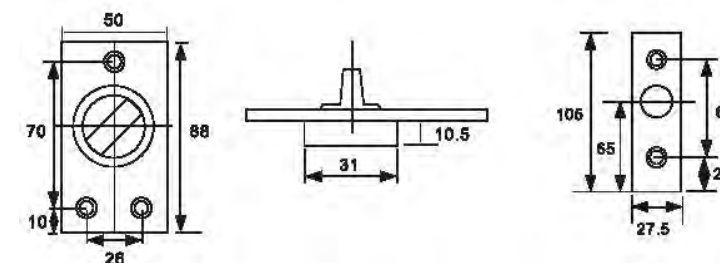
The ultra-thin design base is only 10mm, reducing the depth of the ground opening and making the installation more convenient.

适合最大150kg及360°的旋转门扇使用

The maximum load capacity is 150kg for 360 degree revolving door use.

表面采用304不锈钢面板,使其更坚固耐用

The surface is made of 304# stainless steel panel, which is stronger and more durable.



QH-211D地轴 Ground Shaft



QH-211C顶轴 Top Shaft



超薄型设计底座仅10mm减少地面开孔深度,是安装方便

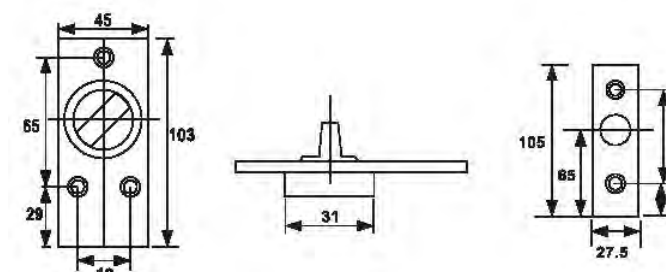
The ultra-thin design base is only 10mm, reducing the depth of the ground opening and making the installation more convenient.

适合最大150kg及360°的旋转门扇使用

The maximum load capacity is 150kg for 360 degree revolving door use.

表面采用304不锈钢面板,使其更坚固耐用

The surface is made of 304# stainless steel panel, which is stronger and more durable.



极窄锁系列
Slim Profile Lock Series

QH-LZS- 403

可选氧化颜色:
Available Oxidized Colors

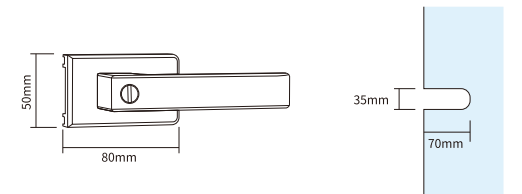


材质: 太空铝
适用范围: 单玻/双玻/偏心玻
适用型材: 35/40/45x16/18/27
玻璃开孔: 70x35mm
产品规格: 单玻80x50mm

Material :Aluminum
Suitable For: Slotted single glass/Slotted Double Glass/Slotted Eccentric Glass
Suitable for profile:35/40/45x16/18/27
Glass holes opening sizes: 70x35mm
Product Specification:Slotted single glass80x50mm



产品尺寸: Product Sizes 单玻/双玻开孔尺寸: Glasses holes opening sizes



QH-LZS- 407

可选氧化颜色:
Available Oxidized Colors

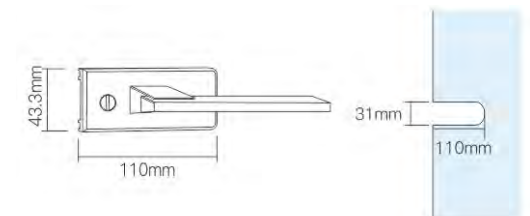


材质: 太空铝
适用范围: 单玻/双玻/偏心玻
适用型材: 16/18.微缝/微边/极窄
玻璃开孔: 110x31mm
产品规格: 单玻110x43.3x15mm 双玻110x44.2x7mm

Material :Aluminum
Suitable For: Slotted single glass/Slotted Double Glass/Slotted Eccentric Glass
Suitable for profile:16/18. Slit/Edge/Extremely Narrow
Glass holes opening sizes: 110x31mm
Product Specification:Slotted single glass110x43.3x15mm/Slotted Double Glass110x44.2x7mm



产品尺寸: Product Sizes 单玻/双玻开孔尺寸: Glasses holes opening sizes



极窄平开锁

Slim Profile Lock Series



QH-LZS-408

可选氧化颜色:
Available Oxidized Colors



材质: 太空铝

适用范围: 单玻/双玻/偏心玻

适用型材: 16/18.微缝/微边/极窄

玻璃开孔: 110x31mm

产品规格: 单玻110x43.3x15mm 双玻110x44.2x7mm

Material: Aluminum

Suitable For: Slotted single glass/Slotted Double Glass/Slotted Eccentric Glass

Suitable for profile: 16/18. Slit/Edge/Extremely Narrow

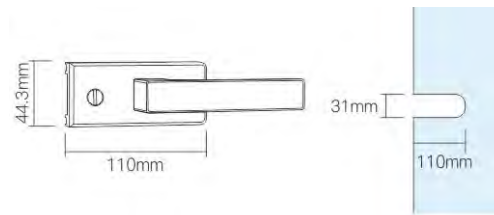
Glass holes opening sizes: 110x31mm

Product Specification: Slotted single glass 110x43.3x15mm/Slotted Double Glass 110x44.2x7mm



产品尺寸:
Product Sizes

单玻/双玻开孔尺寸:
Glasses holes opening sizes



QH-LZS-410

可选氧化颜色:
Available Oxidized Colors



材质: 太空铝

适用范围: 单玻/双玻/偏心玻

适用型材: 16/18.微缝/微边/极窄

玻璃开孔: 110x31mm

产品规格: 单玻110x40x15mm 双玻110x44.2x7mm

Material: Aluminum

Suitable For: Slotted single glass/Slotted Double Glass/Slotted Eccentric Glass

Suitable for profile: 16/18. Slit/Edge/Extremely Narrow

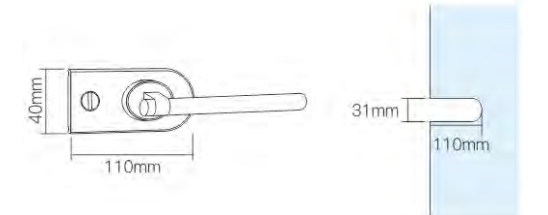
Glass holes opening sizes: 110x31mm

Product Specification: Slotted single glass 110x40x15mm/Slotted Double Glass 110x44.2x7mm



产品尺寸:
Product Sizes

单玻/双玻开孔尺寸:
Glasses holes opening sizes



QH-LZS-409

可选氧化颜色:
Available Oxidized Colors



材质: 太空铝

适用范围: 单玻/双玻/偏心玻

适用型材: 16/18.微缝/微边/极窄

玻璃开孔: 75x32mm

产品规格: 单玻82x48.2x13mm 双玻82x49.2x7mm

Material: Aluminum

Suitable For: Slotted single glass/Slotted Double Glass/Slotted Eccentric Glass

Suitable for profile: 16/18. Slit/Edge/Extremely Narrow

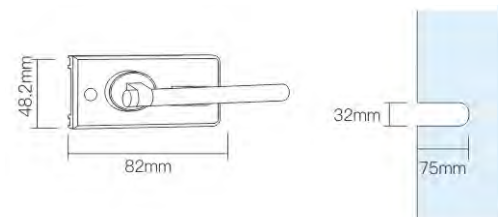
Glass holes opening sizes: 75x32mm

Product Specification: Slotted single glass 82x48.2x13mm/Slotted Double Glass 82x49.2x7mm



产品尺寸:
Product Sizes

单玻/双玻开孔尺寸:
Glasses holes opening sizes



QH-LZS-411

可选氧化颜色:
Available Oxidized Colors



材质: 太空铝

适用范围: 单玻/双玻/偏心玻

适用型材: 16/18.微缝/微边/极窄

玻璃开孔: 110x31mm

产品规格: 单玻110x40x15mm 双玻110x45x7mm

Material: Aluminum

Suitable For: Slotted single glass/Slotted Double Glass/Slotted Eccentric Glass

Suitable for profile: 16/18. Slit/Edge/Extremely Narrow

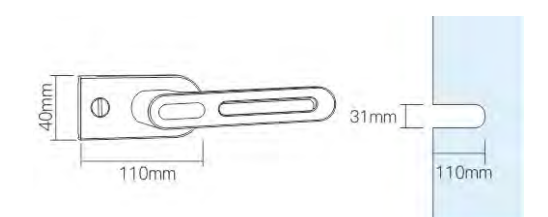
Glass holes opening sizes: 110x31mm

Product Specification: Slotted single glass 110x40x15mm/Slotted Double Glass 110x45x7mm



产品尺寸:
Product Sizes

单玻/双玻开孔尺寸:
Glasses holes opening sizes



无框玻璃门锁

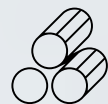
Frameless glass door lock



耐腐蚀



耐高温



304材质



亚黑色
Flat Black



砂光
SSS



镜光
PSS



拉丝
Brushed

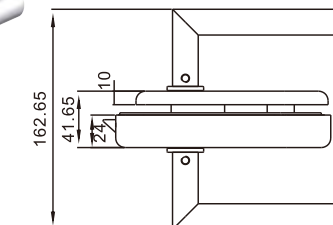
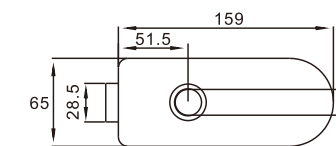
型号 Model : P376

功能特性 Features

- 适用于钢化无框玻璃门
Suitable for tempered frameless glass door
- 适用玻璃厚度: 8、10mm
Applicable glass thickness: 8、10mm

材质及表面处理 Materials and finishes

- 铝合金, 氧化本色拉丝, 不锈钢拉丝
Aluminum alloy, ADB, AS



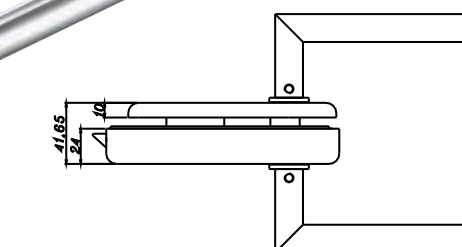
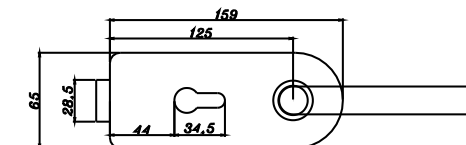
型号 Model : P370-1

功能特性 Features

- 适用于钢化无框玻璃门
Suitable for tempered frameless glass door
- 适用玻璃厚度: 8、10mm
Applicable glass thickness: 8、10mm

材质及表面处理 Materials and finishes

- 不锈钢, 砂光
Stainless steel, Sanding



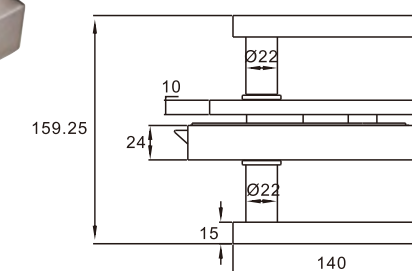
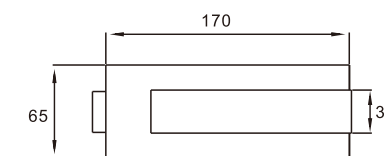
型号 Model : P375

功能特性 Features

- 适用于钢化无框玻璃门
Suitable for tempered frameless glass door
- 适用玻璃厚度: 8、10mm
Applicable glass thickness: 8、10mm

材质及表面处理 Materials and finishes

- 不锈钢, 拉丝
Stainless steel, SS



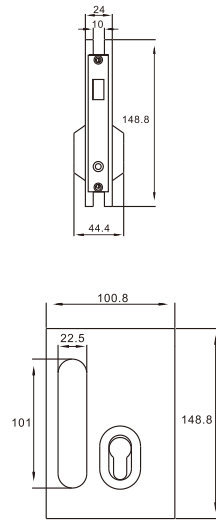
型号 Model : P366

功能特性 Features

- 适用于钢化无框玻璃门
Suitable for tempered frameless glass door
- 适用玻璃厚度：8.10mm
Applicable glass thickness：8.10mm

材质及表面处理 Materials and finishes

- 不锈钢，拉丝
Stainless steel,SS



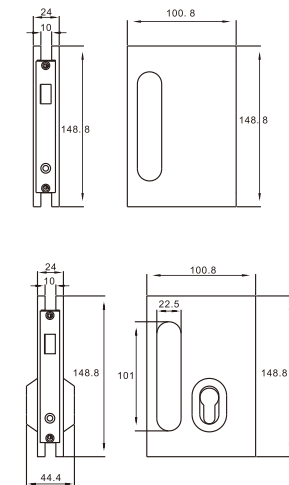
型号 Model : P367

功能特性 Features

- 适用于钢化无框玻璃门
Suitable for tempered frameless glass door
- 适用玻璃厚度：8.10mm
Applicable glass thickness：8.10mm

材质及表面处理 Materials and finishes

- 不锈钢，拉丝
Stainless steel,SS



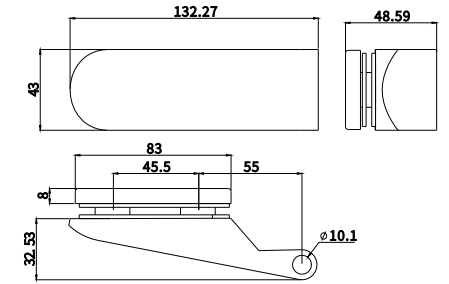
型号 Model : MS-17

功能特性 Features

- 适用于钢化安全玻璃门
Suitable for toughened safety glass doors
- 门扇最大重量：50KG
Max door weight：50KG
- 适用玻璃厚度：8.10mm
Applicable glass thickness：8.10mm

材质及表面处理 Materials and finishes

- 铝合金，不锈钢，拉丝
Aluminum,Stainless steel,SS



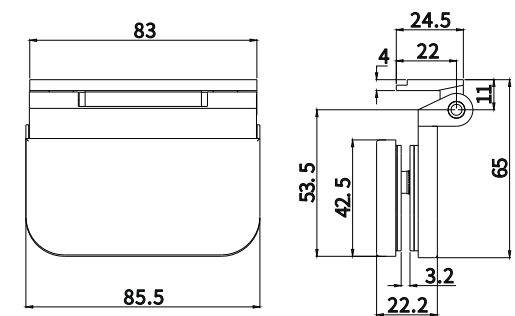
型号 Model : QH-1232.02

功能特性 Features

- 适用于钢化安全玻璃门
Suitable for toughened safety glass doors
- 门扇最大重量：50KG
Max door weight：50KG
- 适用玻璃厚度：8.10mm
Applicable glass thickness：8.10mm

材质及表面处理 Materials and finishes

- 铝合金，氧化本拉色，不锈钢色
Aluminum,ADB,AS



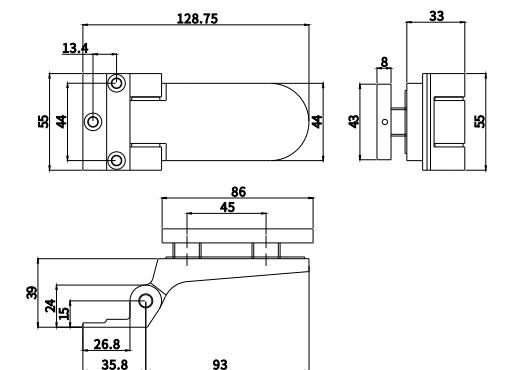
型号 Model : QH-1247.01

功能特性 Features

- 适用于钢化安全玻璃门
Suitable for toughened safety glass doors
- 门扇最大重量：50KG
Max door weight：50KG
- 适用玻璃厚度：8.10mm
Applicable glass thickness：8.10mm

材质及表面处理 Materials and finishes

- 铝合金，氧化本拉色，不锈钢色
Aluminum,ADB,AS



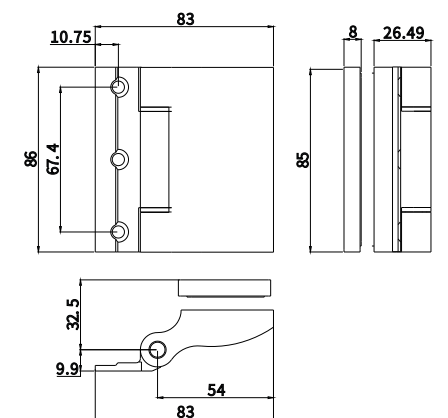
型号 Model : QH-1249.01

功能特性 Features

- 适用于钢化安全玻璃门
Suitable for toughened safety glass doors
- 门扇最大重量：50KG
Max door weight：50KG
- 适用玻璃厚度：8.10mm
Applicable glass thickness：8.10mm

材质及表面处理 Materials and finishes

- 铝合金，氧化本拉色，不锈钢色
Aluminum,ADB,AS



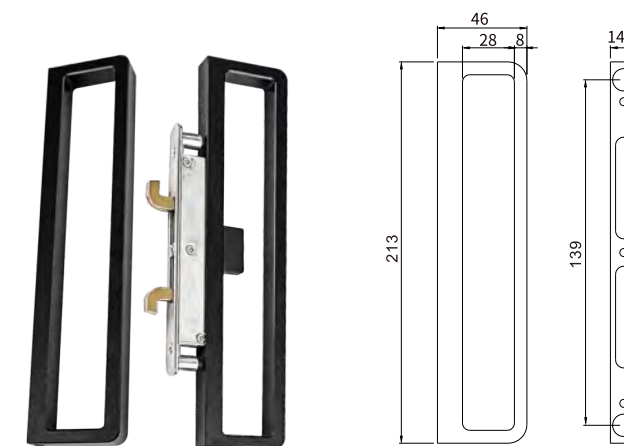
型号 Model : 极窄边框玻璃拉手 Narrow frame door handle

功能特性 Features

- 适用于极窄边框玻璃拉手
Suitable for narrow frame door handle
- 适用4516、4507极窄边框
Suitable for 4516、4507 narrow frame profile

材质及表面处理 Materials and finishes

- 铝合金, 喷涂砂黑
Aluminum, spray sand black



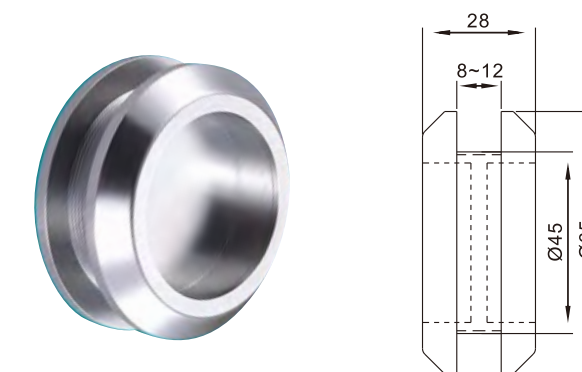
型号 Model : P349

功能特性 Features

- 适用于钢化无框玻璃门
Suitable for tempered frameless glass door
- 适用玻璃厚度: 8、10、12mm
For glass thickness: 8、10、12mm

材质及表面处理 Materials and finishes

- 铝合金, 氧化本拉色, 不锈钢色
Aluminum alloy, ADB, AS



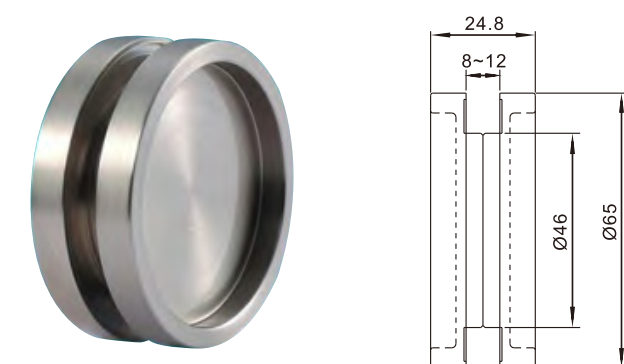
型号 Model : P357

功能特性 Features

- 适用于钢化无框玻璃门
Suitable for tempered frameless glass door
- 适用玻璃厚度: 8、10、12mm
For glass thickness: 8、10、12mm

材质及表面处理 Materials and finishes

- 铝合金, 氧化本拉色, 不锈钢色
Aluminum alloy, ADB, AS



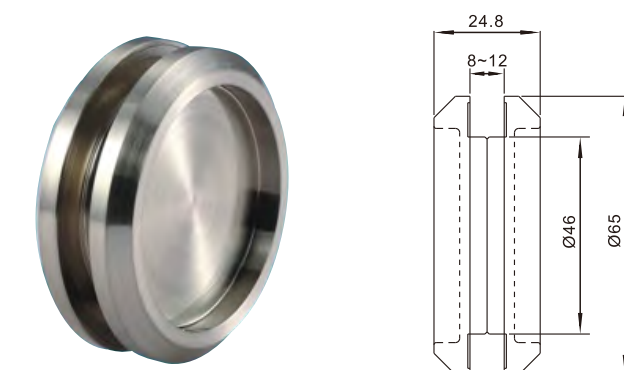
型号 Model : P358

功能特性 Features

- 适用于钢化无框玻璃门
Suitable for tempered frameless glass door
- 适用玻璃厚度: 8、10、12mm
For glass thickness: 8、10、12mm

材质及表面处理 Materials and finishes

- 铝合金, 氧化本拉色, 不锈钢色
Aluminum alloy, ADB, AS



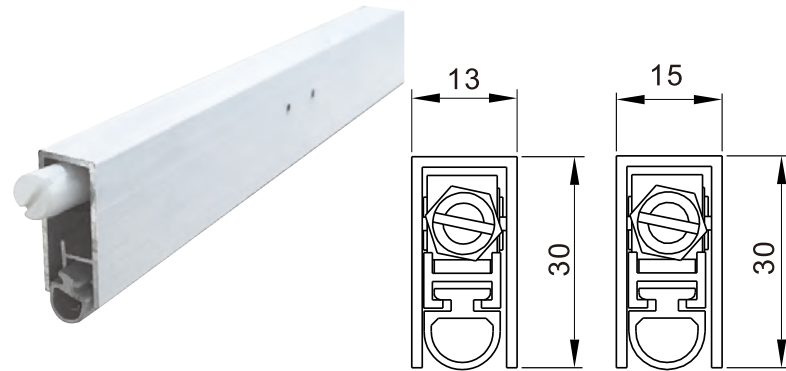
型号 Model : Z-PN13/15

功能特性 Features

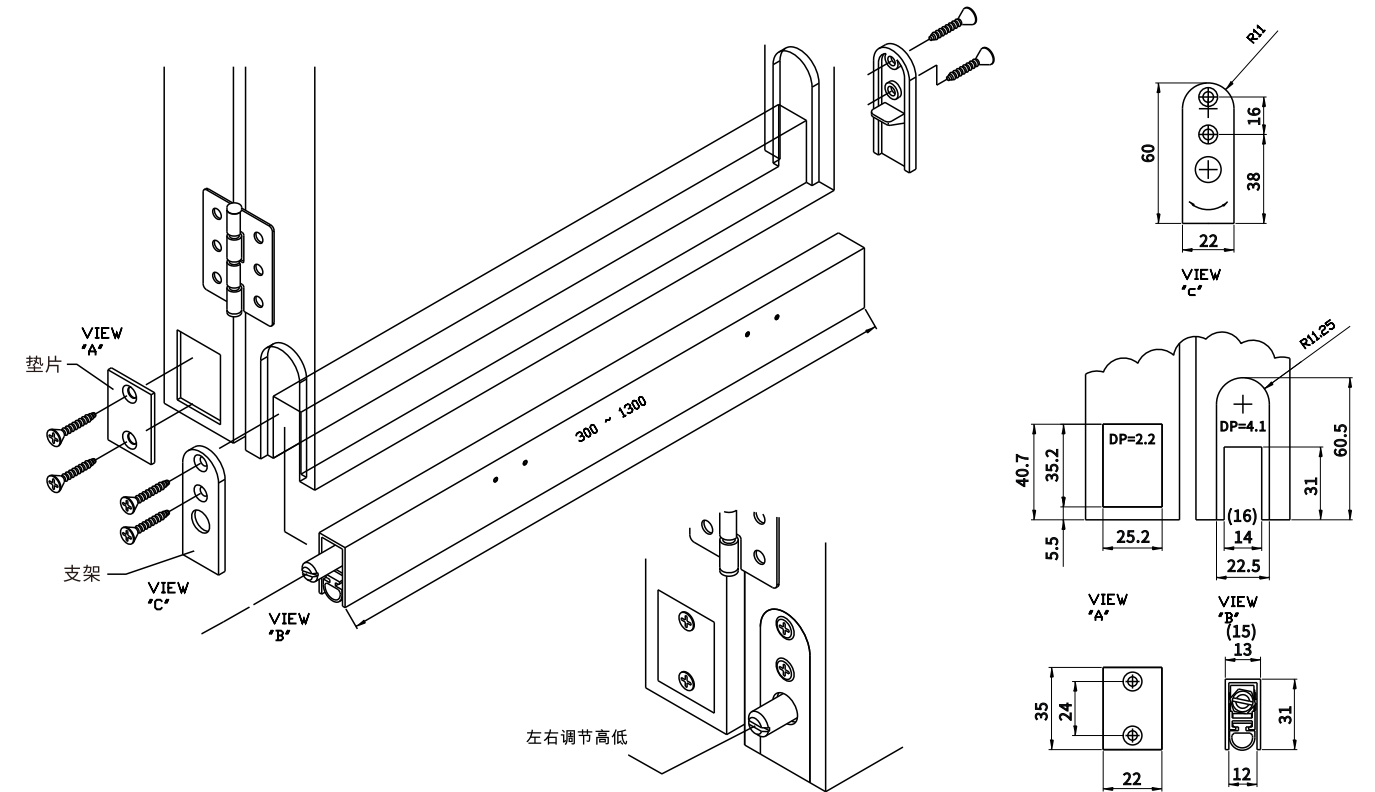
- 单边下沉
Sing-side release
- 下沉最大高度：12mm
Max.sealing height: 12mm
- 开槽宽度：13-15mm
Slotting width: 13-15mm

材质及表面处理 Materials and finishes

- 外壳材质：铝合金；档条材质：PVC
Shell material: aluminum, Strip material: PVC



Z-PN系列门隙封闭器安装示意图



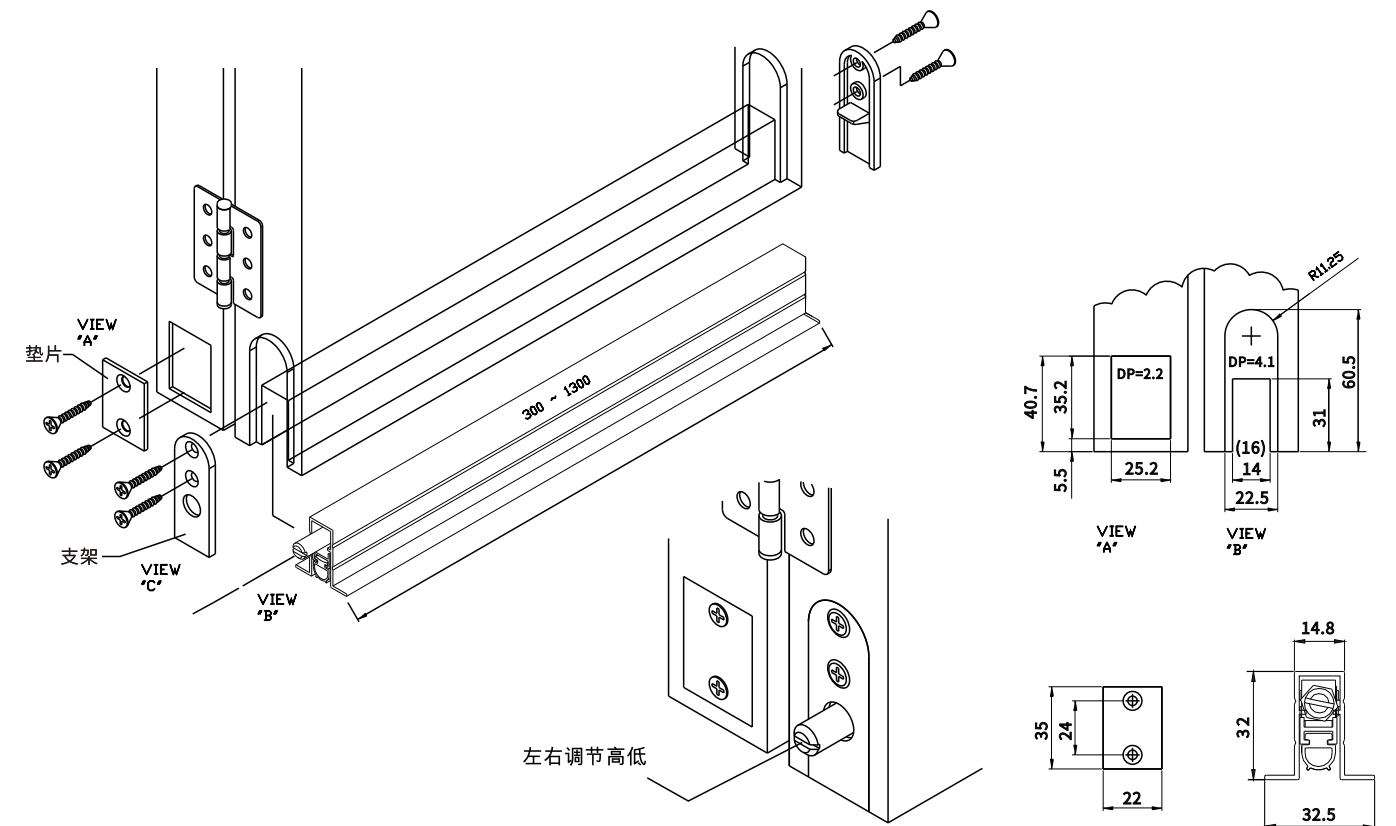
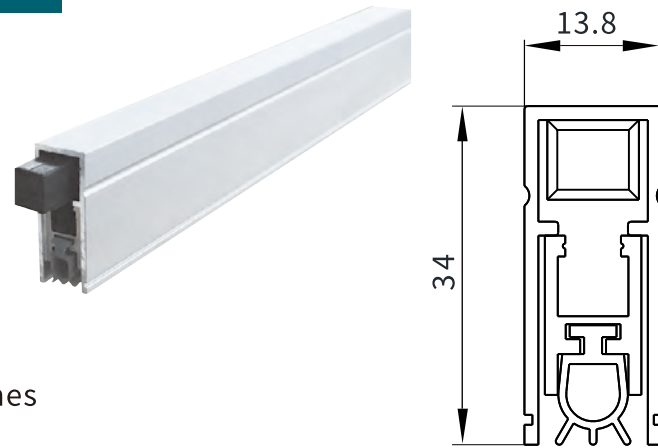
型号 Model : Z-PN14

功能特性 Features

- 单边下沉
Sing-side release
- 下沉最大高度：12mm
Max.sealing height: 12mm
- 开槽宽度：14mm
Slotting width: 14mm

材质及表面处理 Materials and finishes

- 外壳材质：铝合金；档条材质：硅胶PVC
Shell material: Aluminum, Strip material: PVC



型号 Model : Z-PN15 几型

功能特性 Features

- 单边下沉
Sing-side release
- 下沉最大高度：12mm
Max.sealing height: 12mm
- 开槽宽度：15mm
Slotting width: 15mm

材质及表面处理 Materials and finishes

- 外壳材质：铝合金；档条材质：PVC
Shell material: aluminum, Strip material: PVC

